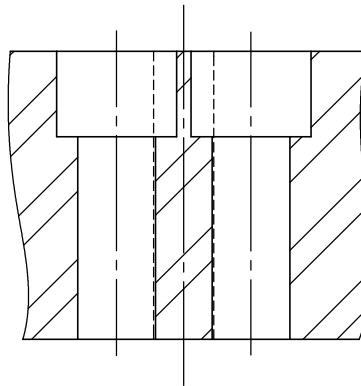
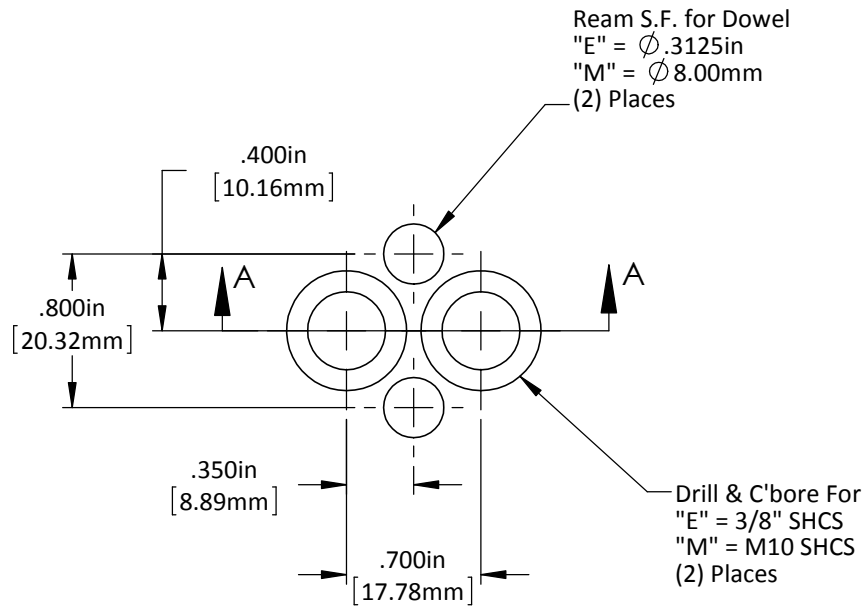


DO NOT SCALE DRAWING REV 1

This product may be covered by one or more patents or patent applications.
 See <http://www.standardlifters.com/patents.html> for details.

Guide Pin GK120

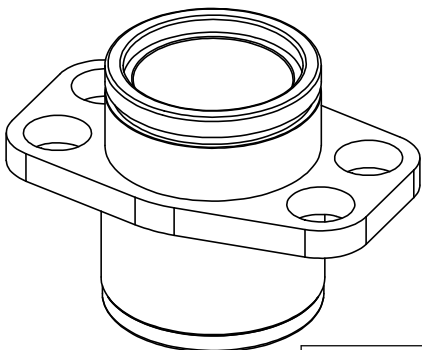
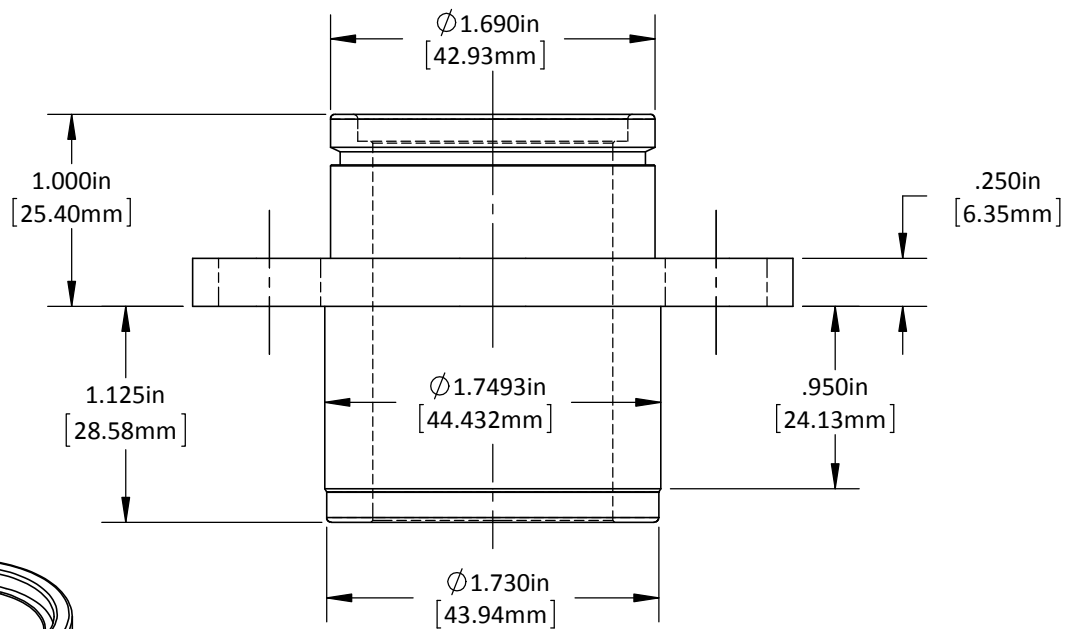
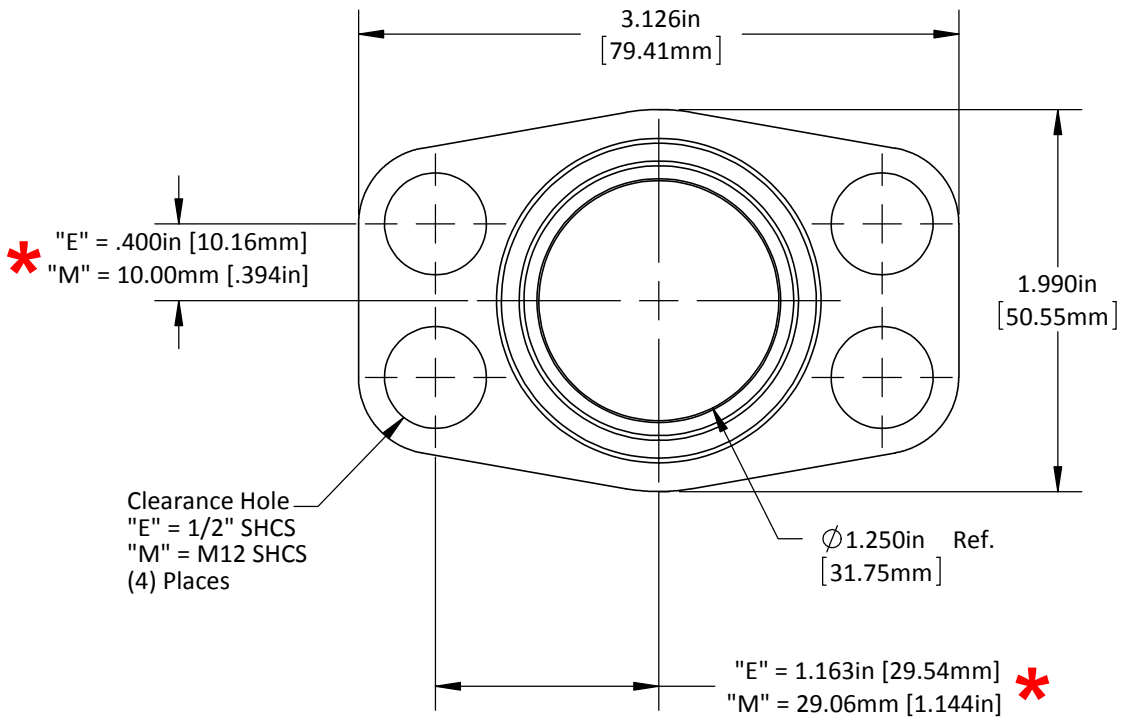
STANDARD LIFTERS INC



DO NOT SCALE DRAWING	REV 1
This product may be covered by one or more patents or patent applications. See http://www.standardlifters.com/patents.html for details.	

Guide Pin GK120-Machining
STANDARD LIFTERS INC

***Caution: English & Metric Hole Locations are NOT the Same!**



DO NOT SCALE DRAWING

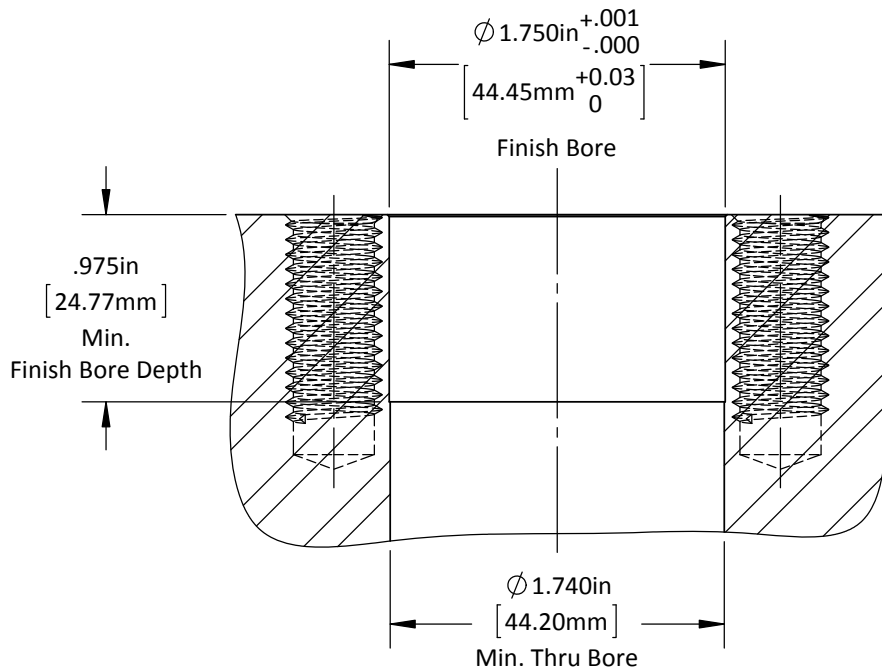
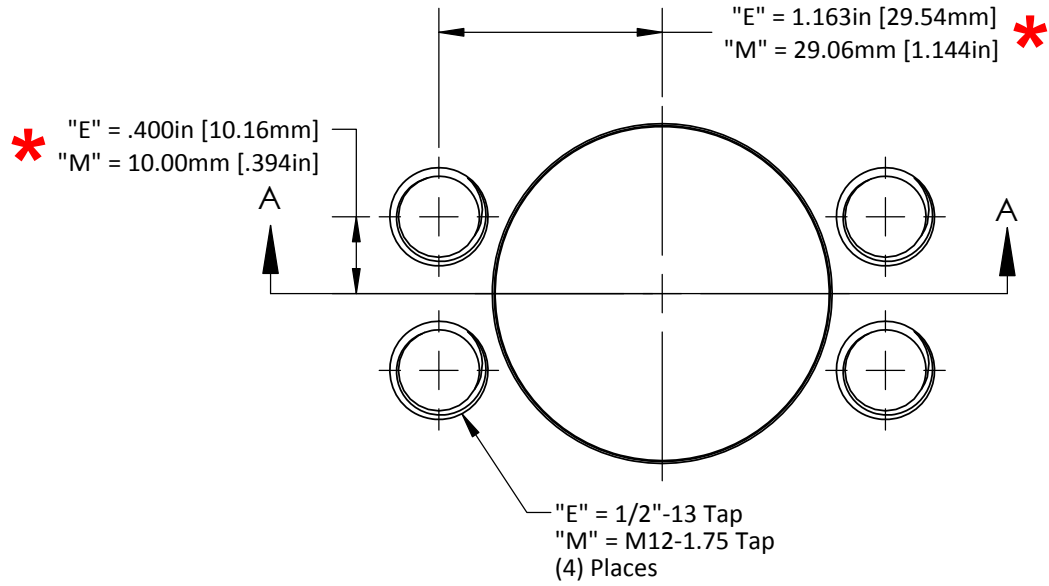
REV 1

This product may be covered by one or more patents or patent applications.
 See <http://www.standardlifters.com/patents.html> for details.

Base-GK120-L2

STANDARD LIFTERS INC

***Caution: English & Metric Hole Locations are NOT the Same!**



DO NOT SCALE DRAWING

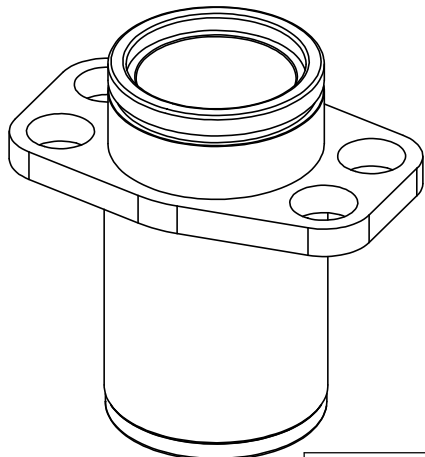
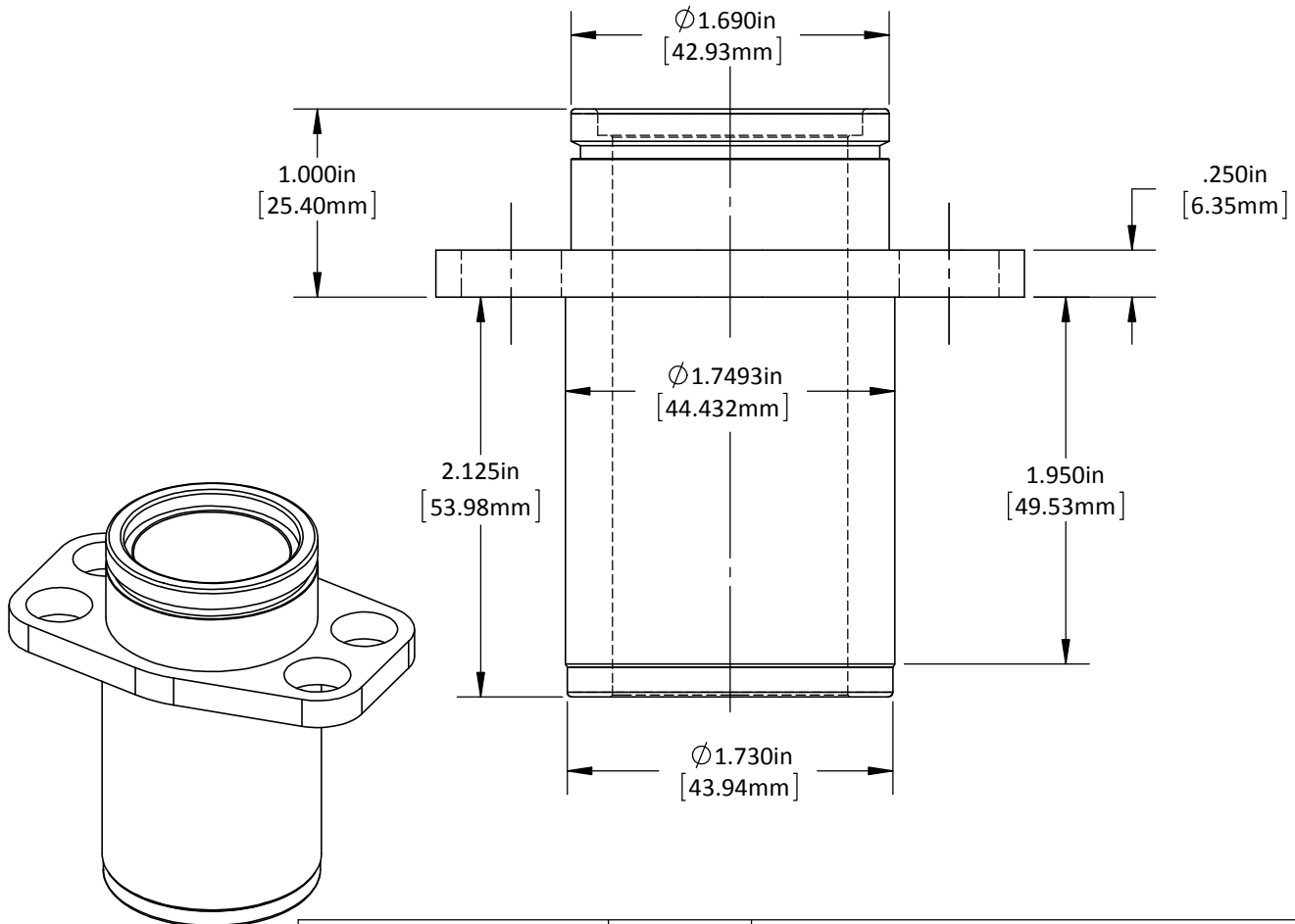
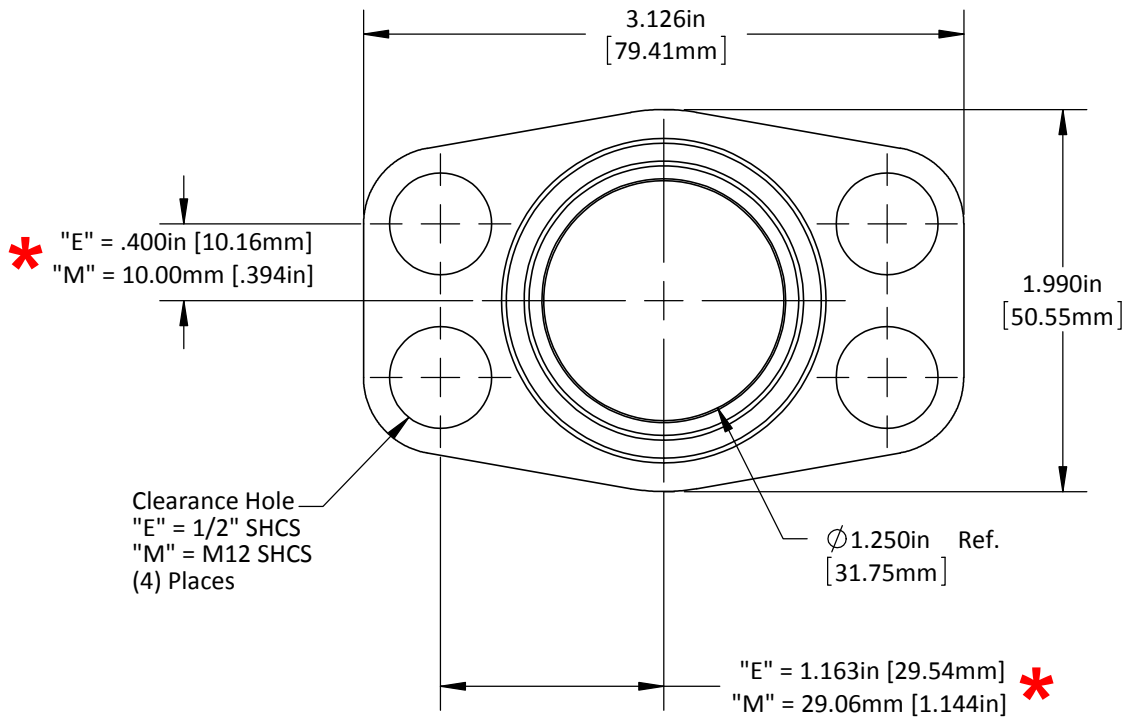
REV 2

This product may be covered by one or more patents or patent applications.
See <http://www.standardlifters.com/patents.html> for details.

GK120-L2-Base Machining

STANDARD LIFTERS INC

***Caution: English & Metric Hole Locations are NOT the Same!**



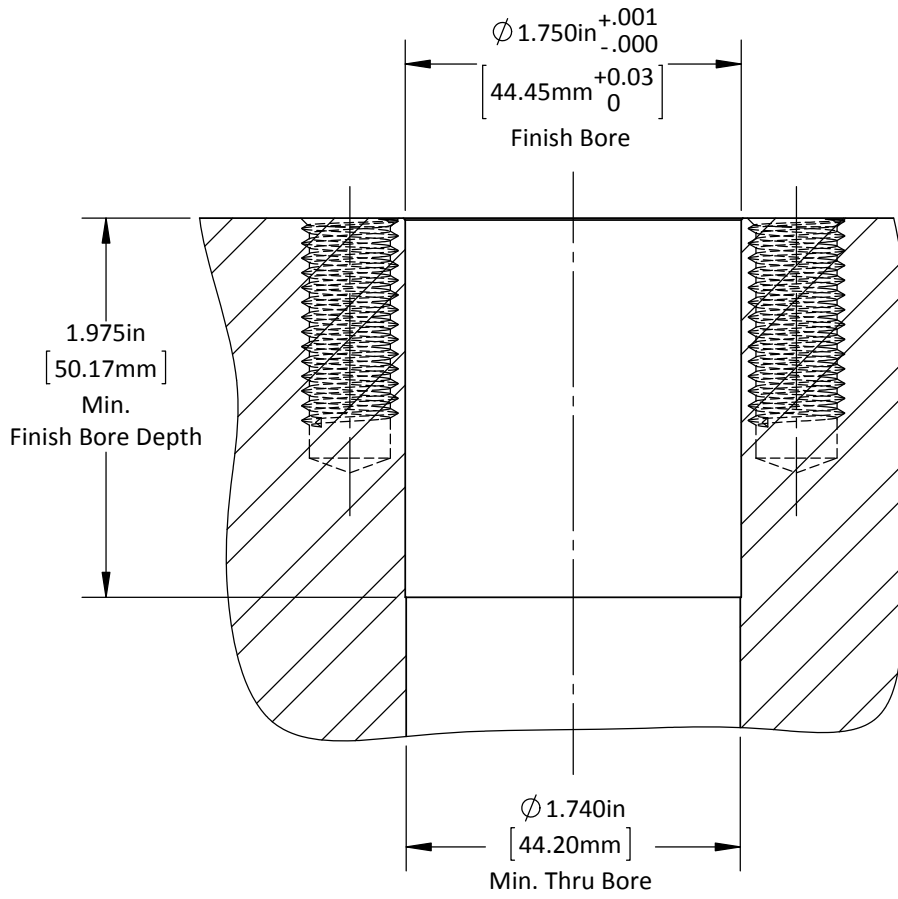
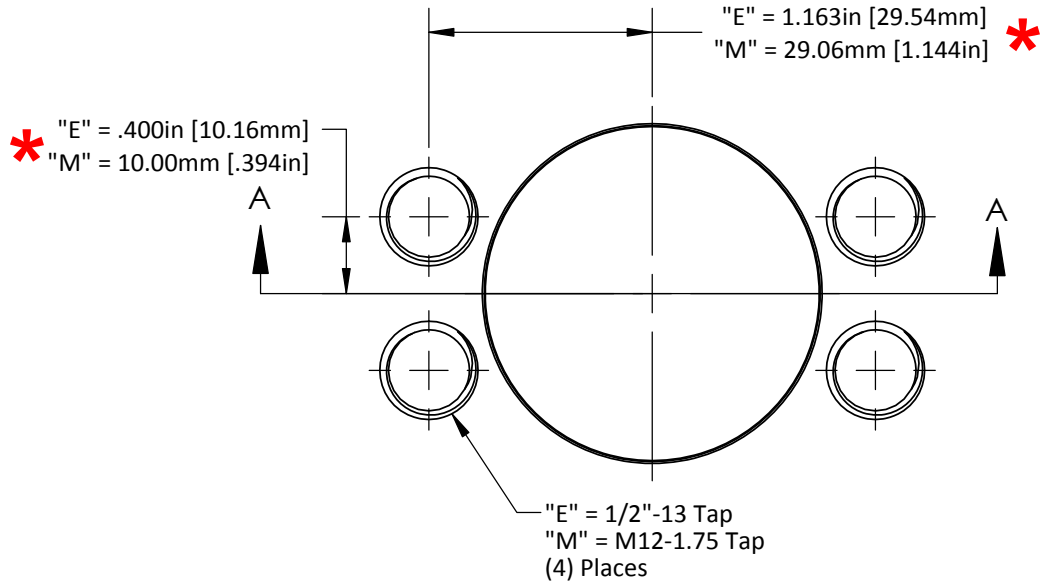
DO NOT SCALE DRAWING | REV 1

This product may be covered by one or more patents or patent applications.
 See <http://www.standardlifters.com/patents.html> for details.

Base-GK120-L3

STANDARD LIFTERS INC

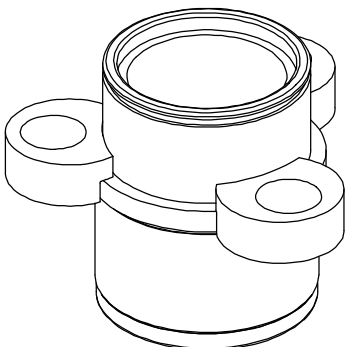
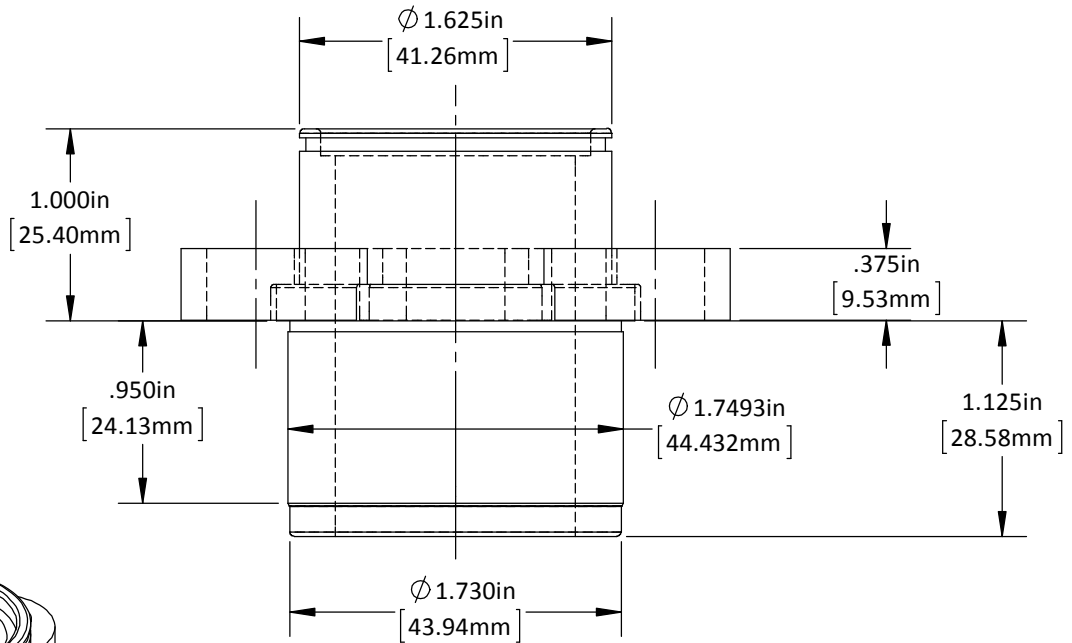
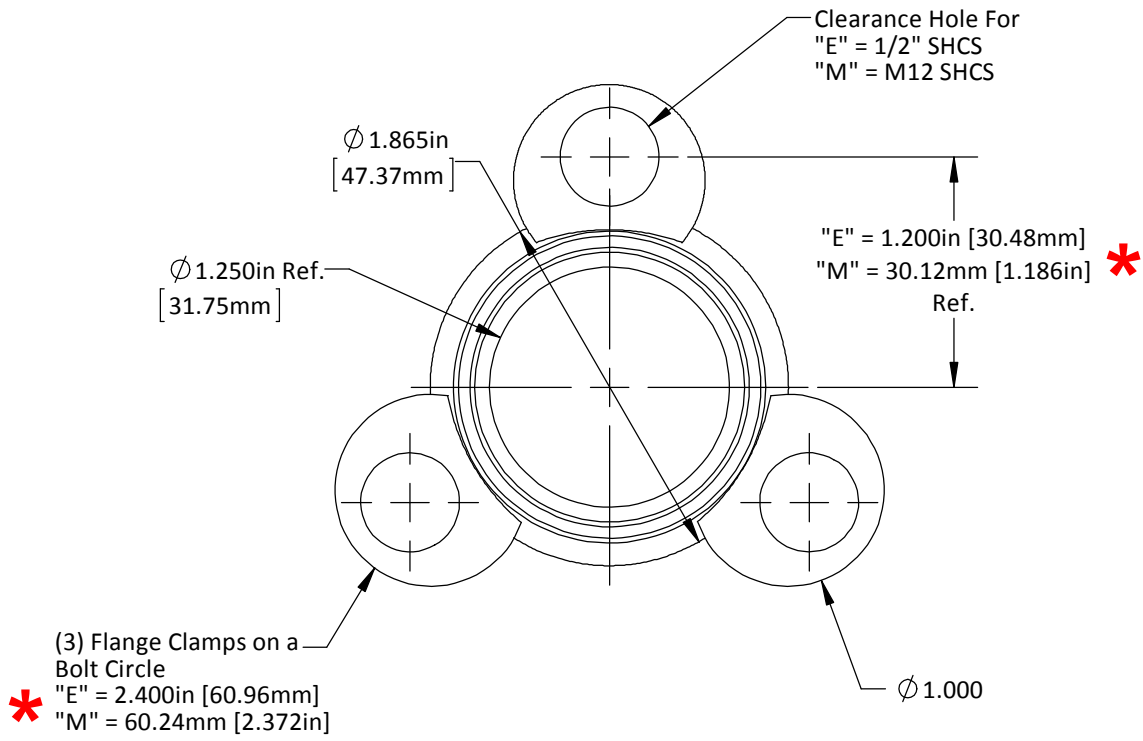
***Caution: English & Metric Hole Locations are NOT the Same!**



DO NOT SCALE DRAWING	REV 2
This product may be covered by one or more patents or patent applications. See http://www.standardlifters.com/patents.html for details.	

GK120-L3-Base Machining
STANDARD LIFTERS INC

*** Caution: English & Metric Hole Locations are NOT the Same!**



DO NOT SCALE DRAWING

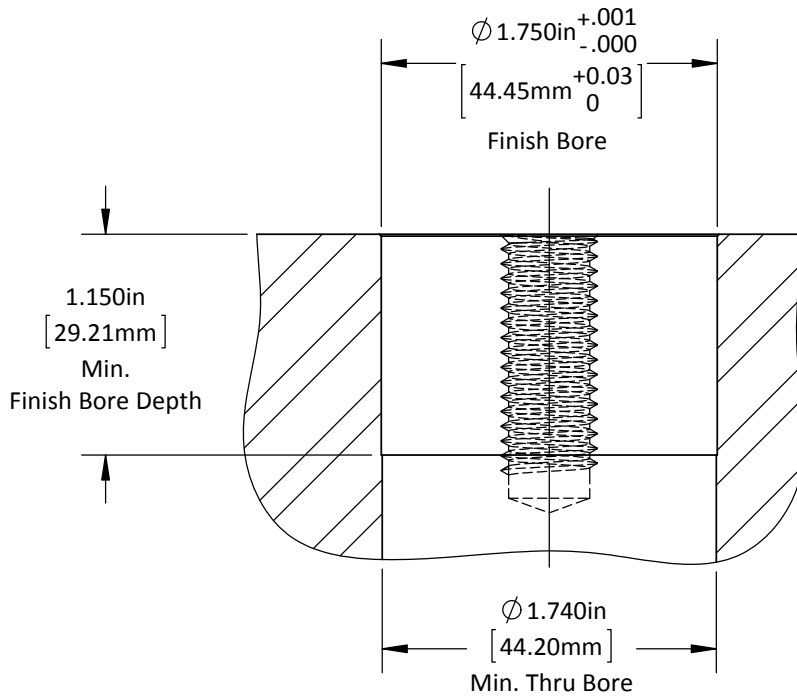
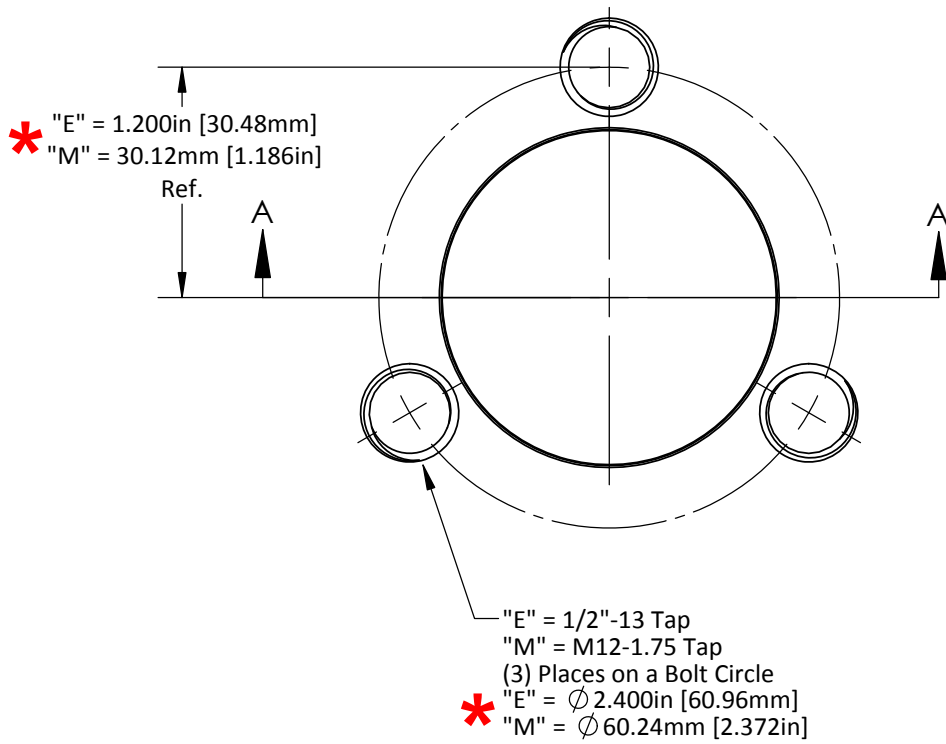
REV 2

This product may be covered by one or more patents or patent applications.
 See <http://www.standardlifters.com/patents.html> for details.

Base-GK120-H2

STANDARD LIFTERS INC

*** Caution: English & Metric Hole Locations are NOT the Same!**



DO NOT SCALE DRAWING

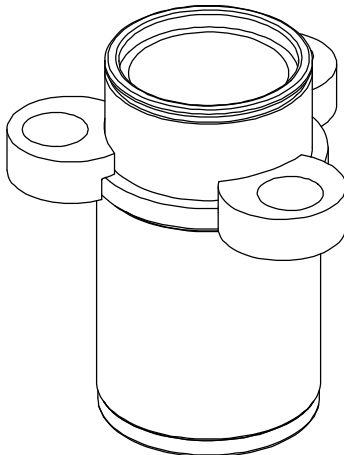
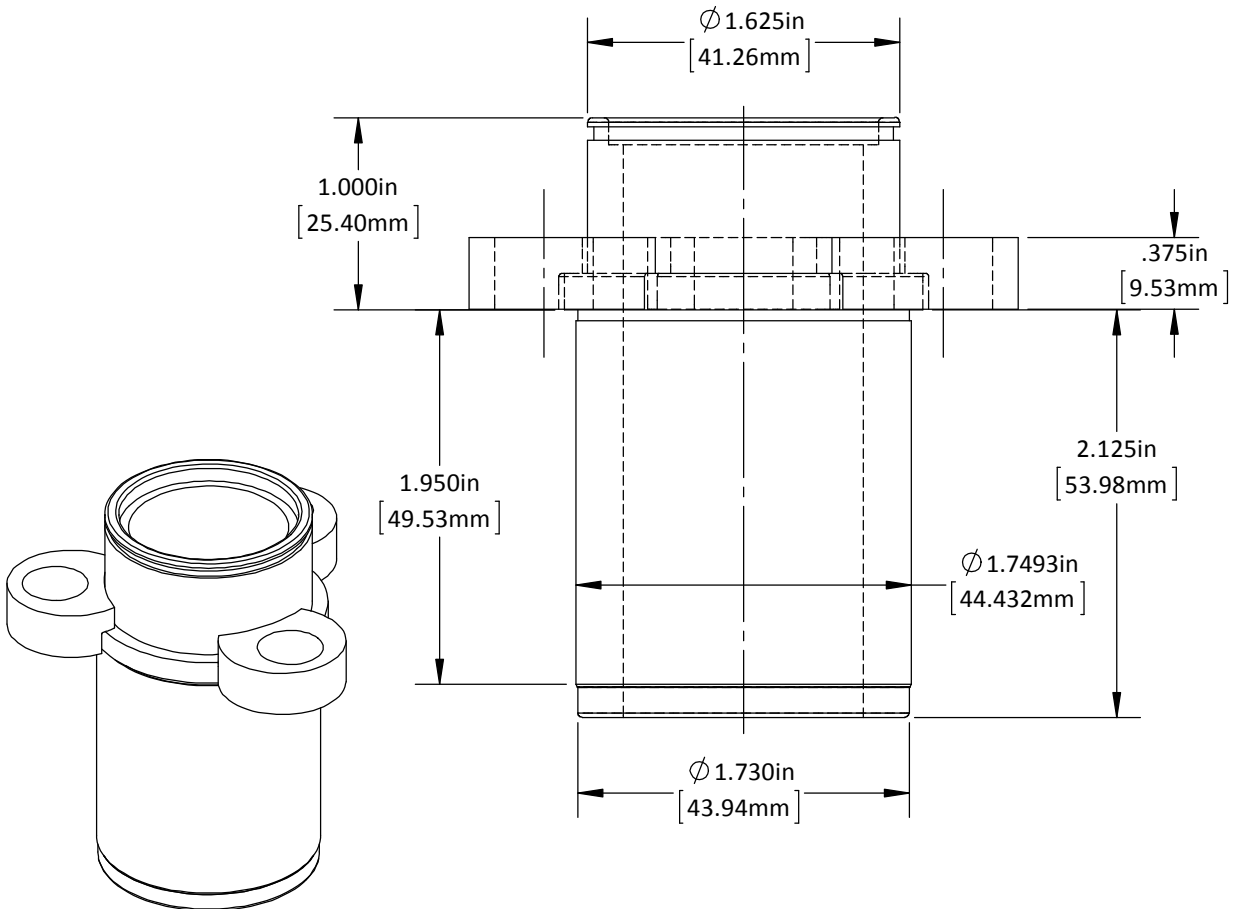
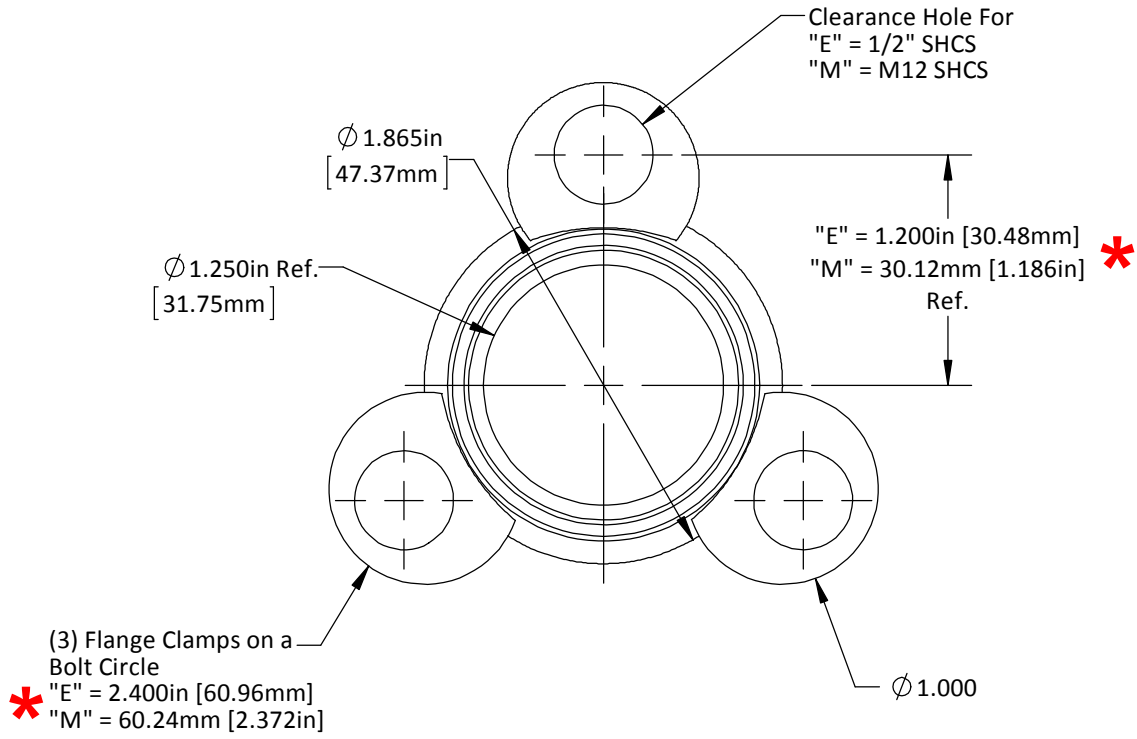
REV 2

This product may be covered by one or more patents or patent applications. See <http://www.standardlifters.com/patents.html> for details.

GK120-H2-Base Machining

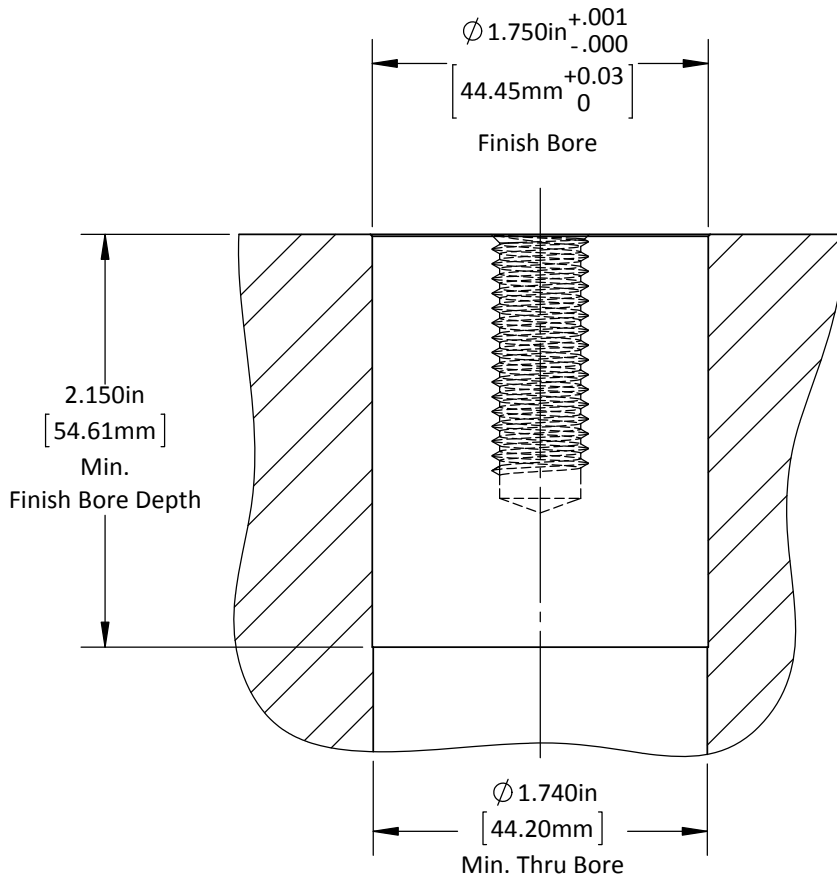
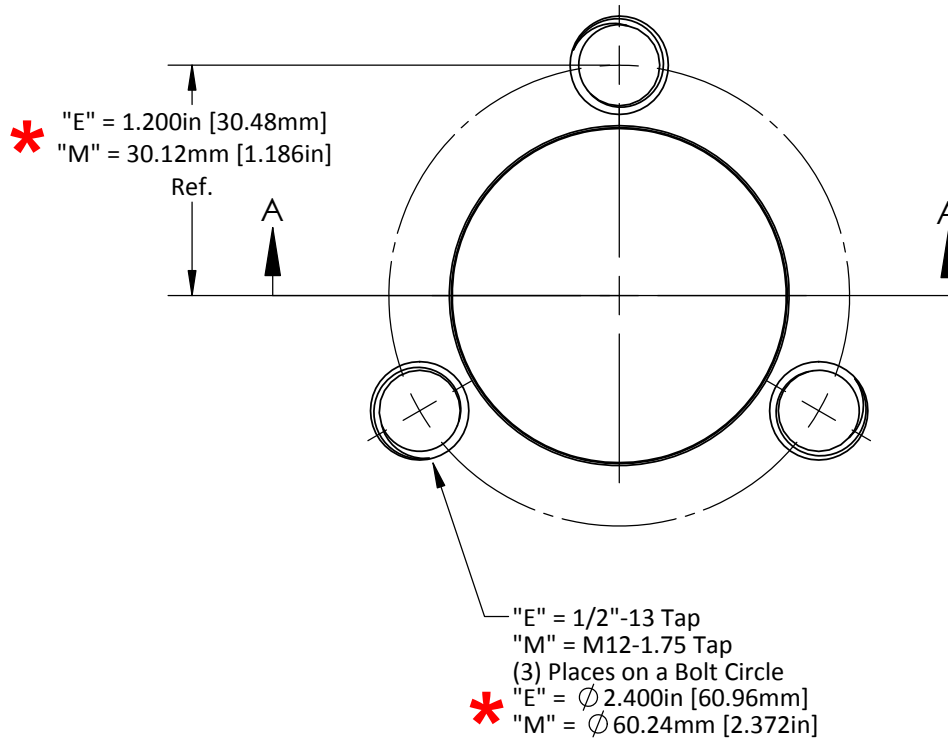
STANDARD LIFTERS INC

*** Caution: English & Metric Hole Locations are NOT the Same!**



DO NOT SCALE DRAWING	REV 2	Base-GK120-H3
This product may be covered by one or more patents or patent applications. See http://www.standardlifters.com/patents.html for details.		

*** Caution: English & Metric Hole Locations are NOT the Same!**



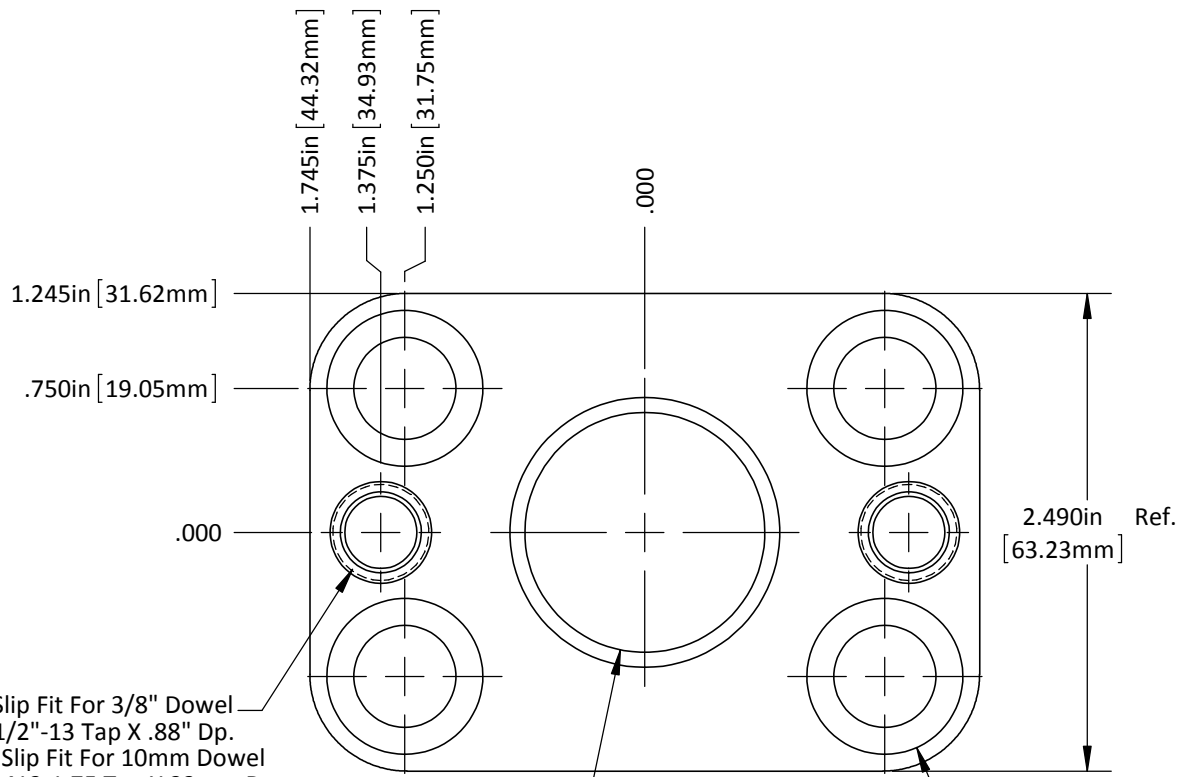
DO NOT SCALE DRAWING

REV 2

This product may be covered by one or more patents or patent applications.
See <http://www.standardlifters.com/patents.html> for details.

GK120-H3-Base Machining

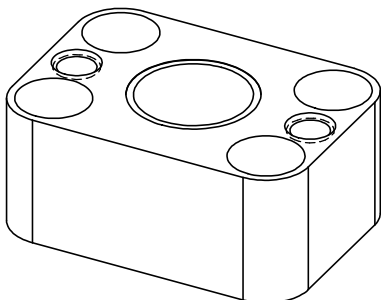
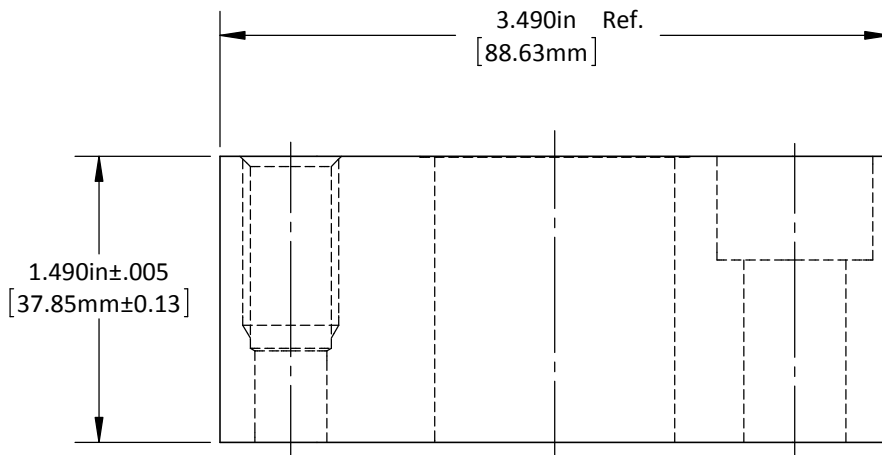
STANDARD LIFTERS INC



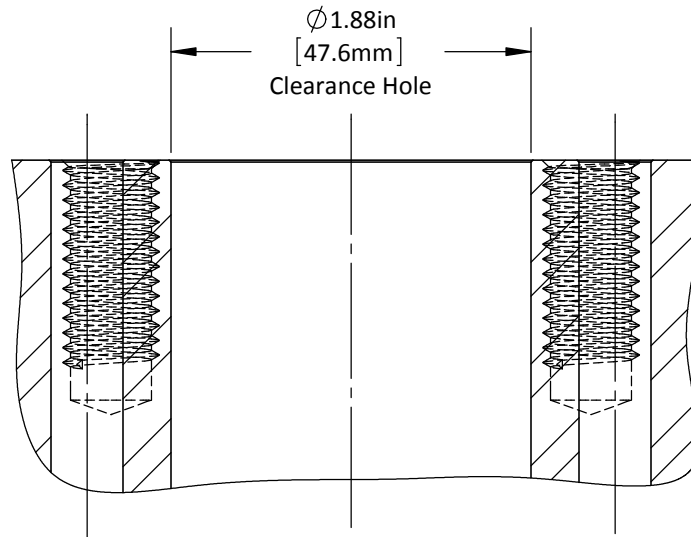
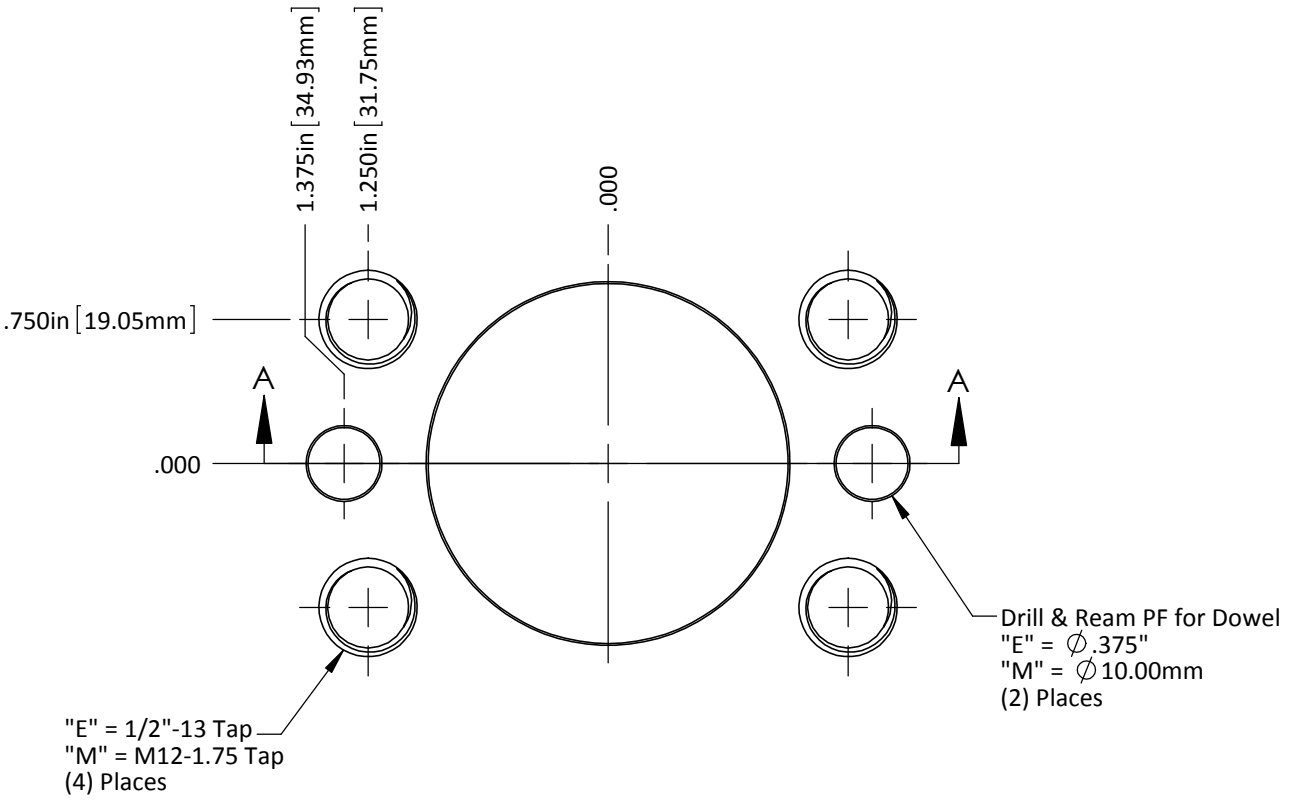
"E" = Slip Fit For 3/8" Dowel
 1/2"-13 Tap X .88" Dp.
 "M" = Slip Fit For 10mm Dowel
 M12-1.75 Tap X 22mm Dp.
 (2) Places

$\phi 1.250$ in Ref.
 [31.75mm]

Drilled & C'bored For
 "E" = 1/2" SHCS
 "M" = M12 SHCS
 (4) Places

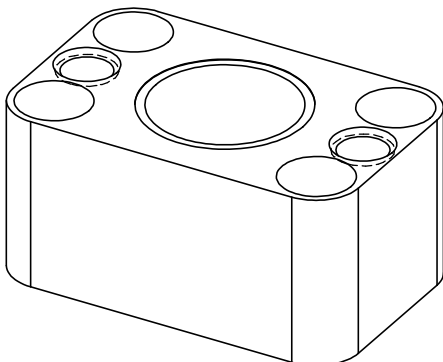
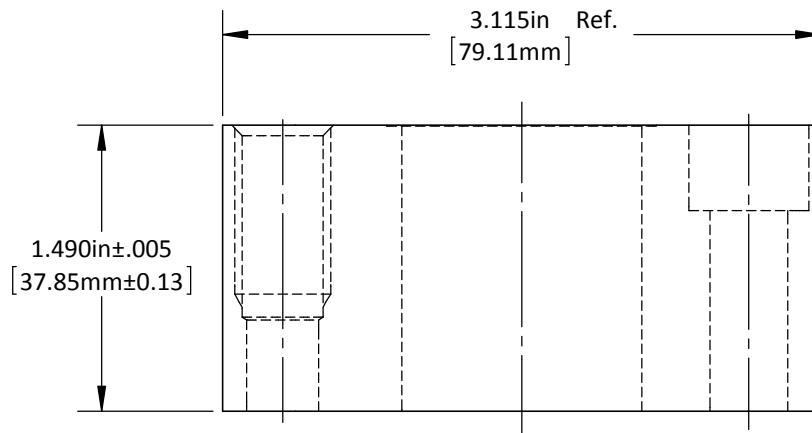
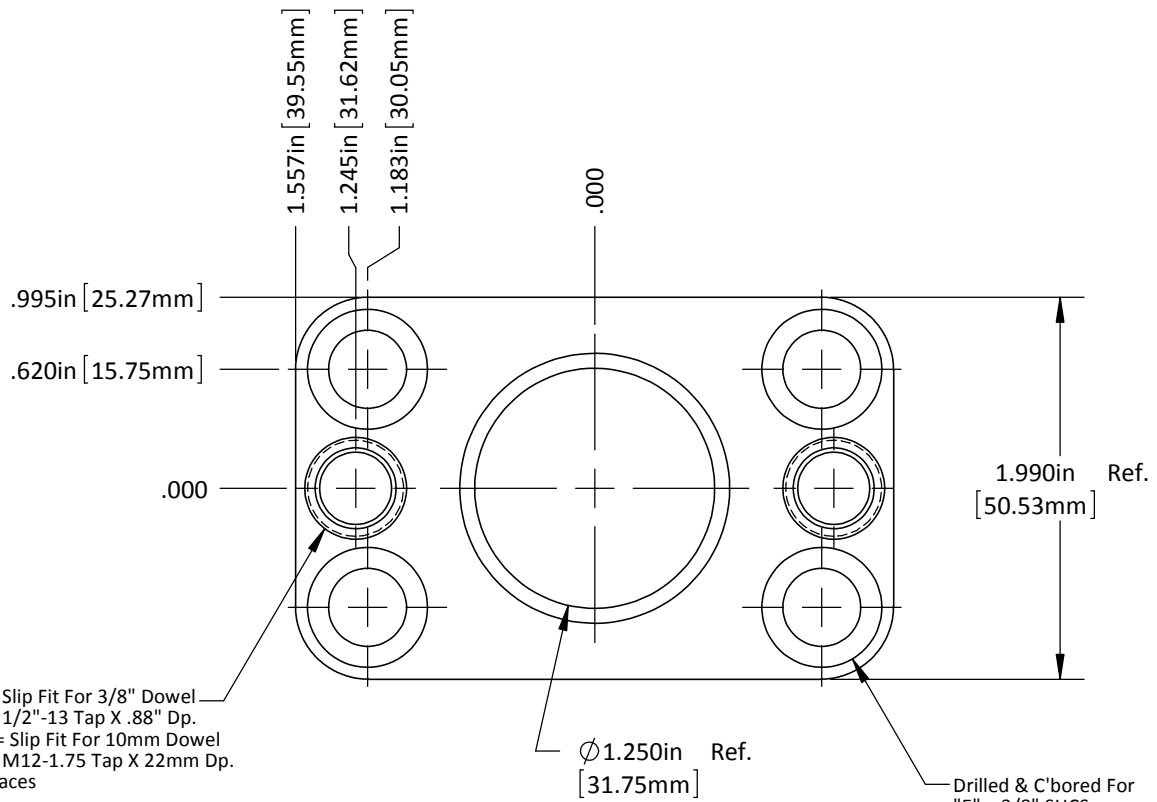


DO NOT SCALE DRAWING	REV 1	Base-GK120-A STANDARD LIFTERS INC
This product may be covered by one or more patents or patent applications. See http://www.standardlifters.com/patents.html for details.		



DO NOT SCALE DRAWING	REV 1
This product may be covered by one or more patents or patent applications. See http://www.standardlifters.com/patents.html for details.	

GK120-A-Base Machining
STANDARD LIFTERS INC

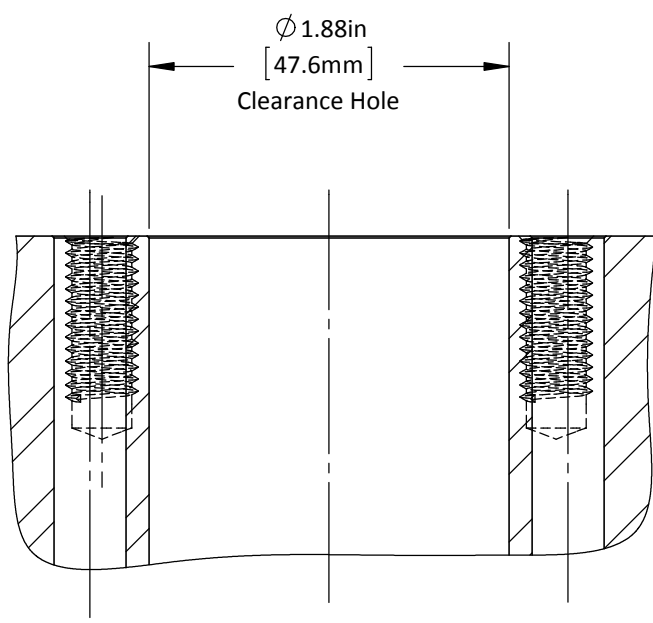
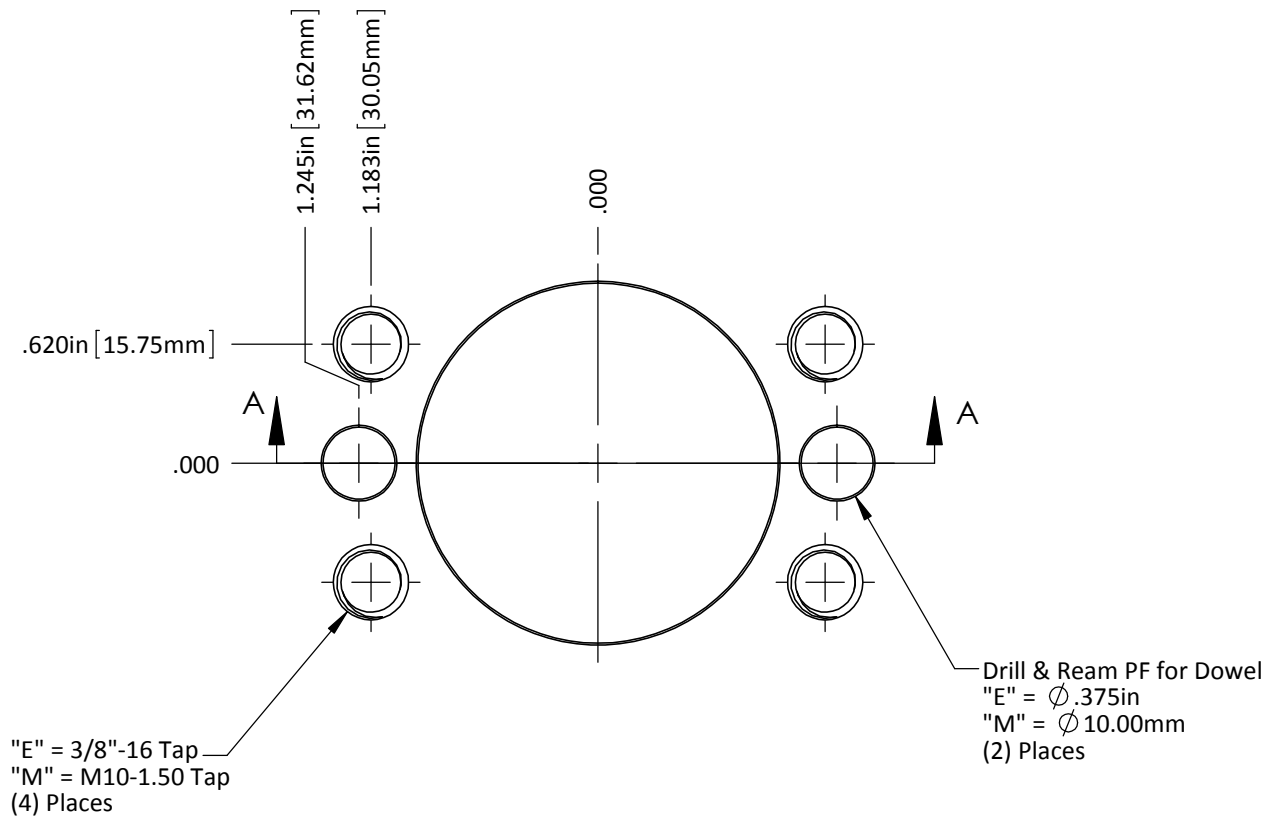


DO NOT SCALE DRAWING REV 1

This product may be covered by one or more patents or patent applications.
See <http://www.standardlifters.com/patents.html> for details.

Base-GK120-B

STANDARD LIFTERS INC

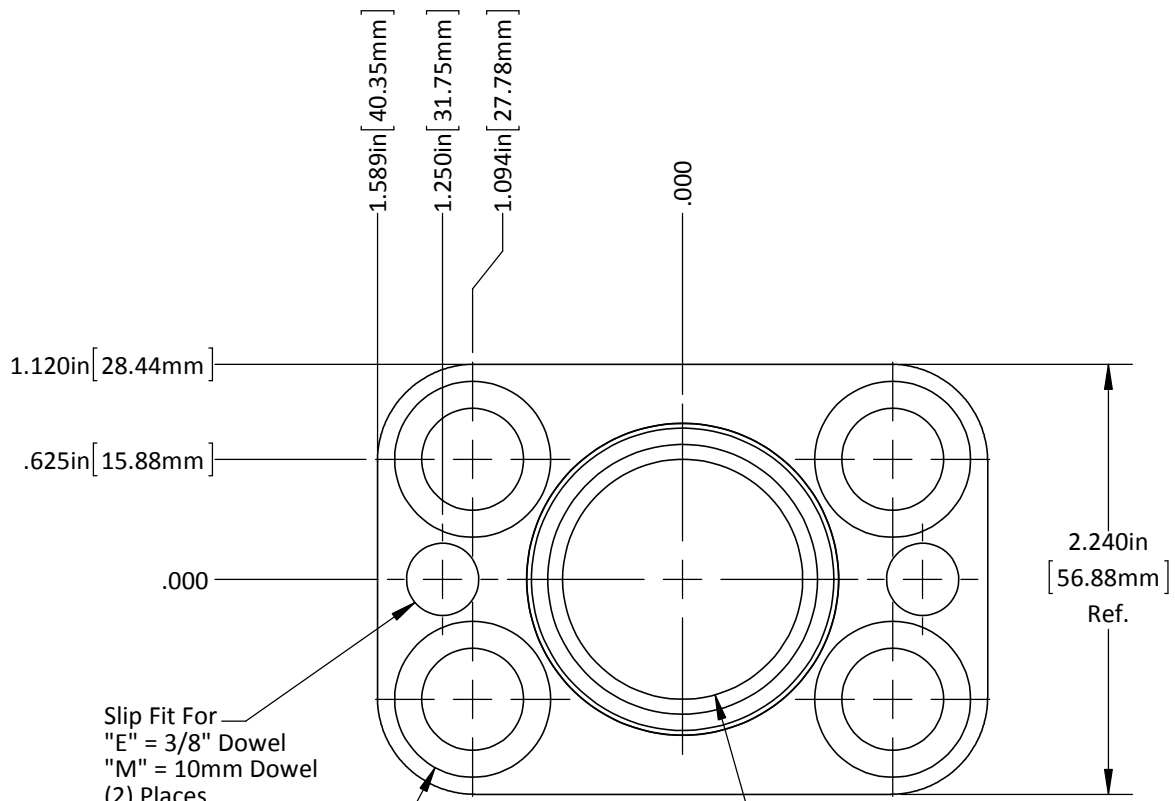


DO NOT SCALE DRAWING REV 1

This product may be covered by one or more patents or patent applications.
 See <http://www.standardlifters.com/patents.html> for details.

GK120-B-Base Machining

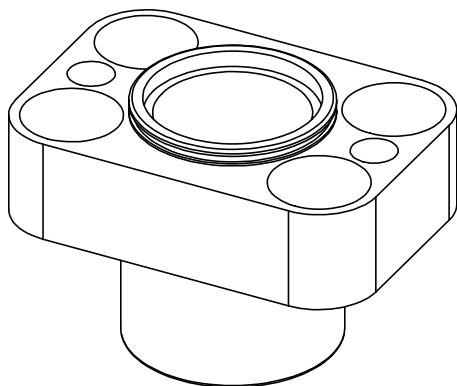
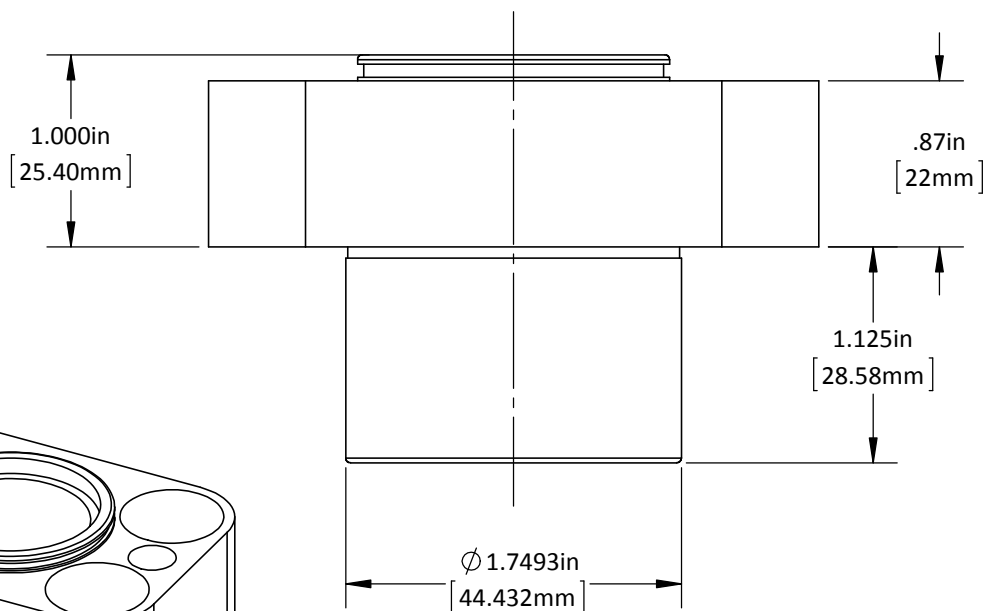
STANDARD LIFTERS INC



Slip Fit For
 "E" = 3/8" Dowel
 "M" = 10mm Dowel
 (2) Places

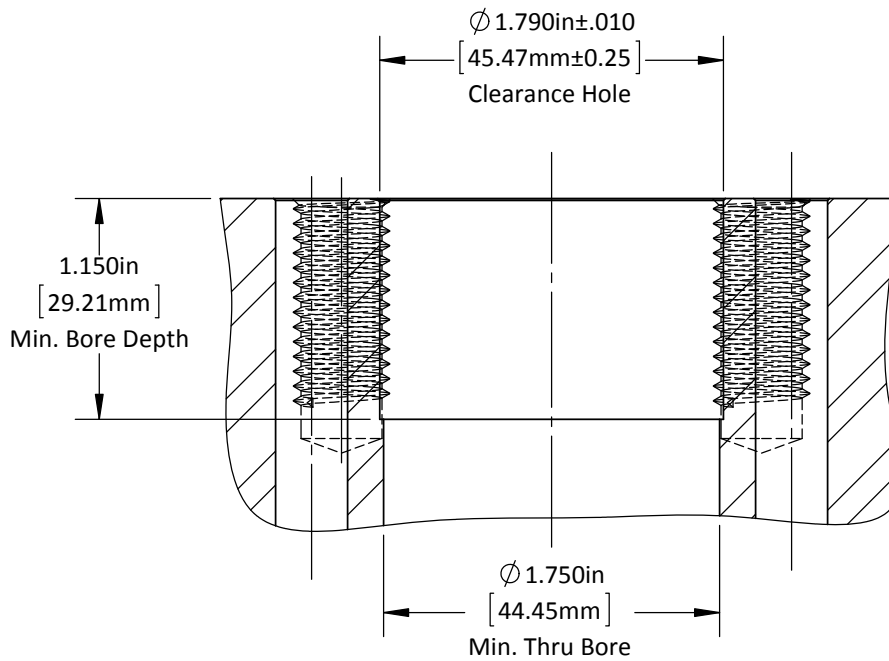
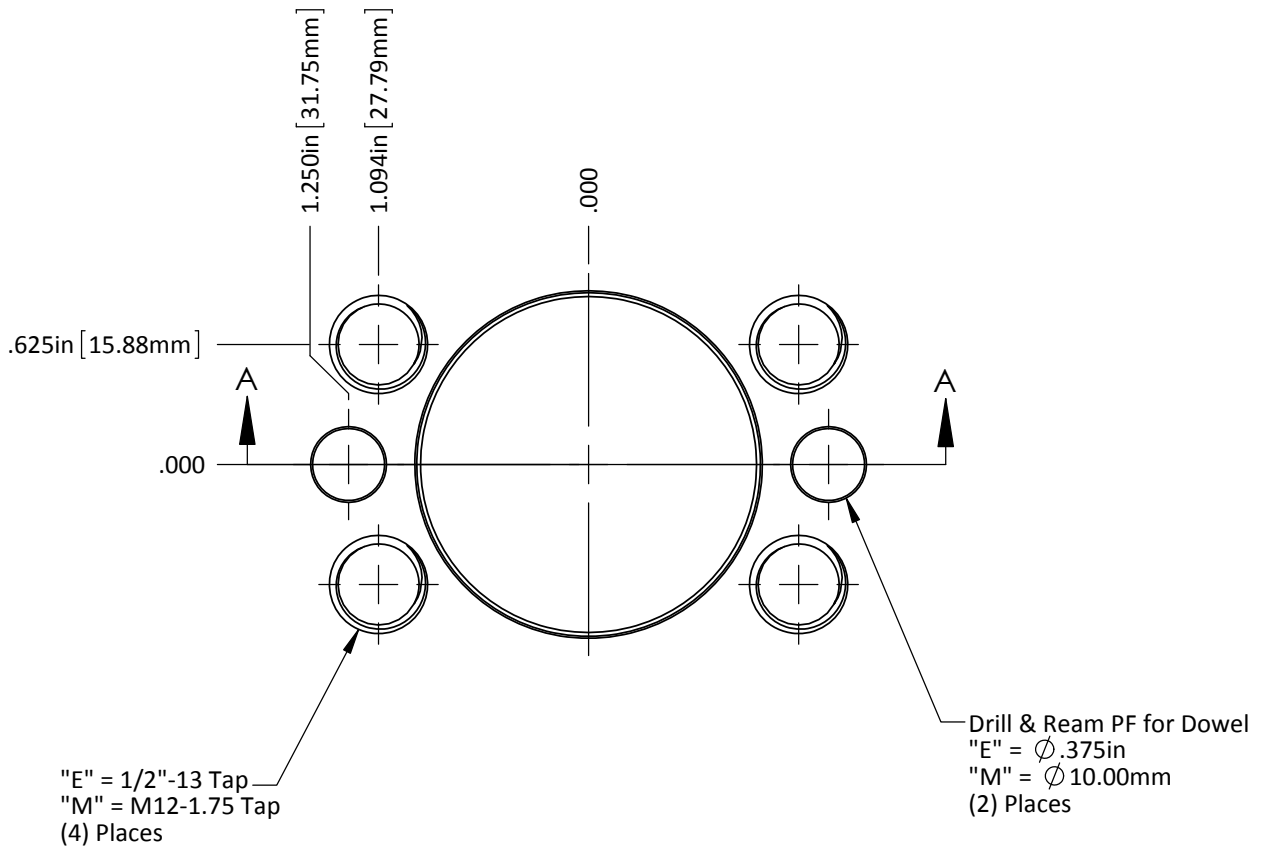
Drilled & C'bored For
 "E" = 1/2" SHCS
 "M" = M12 SHCS
 (4) Places

Ø 1.250in Ref.
 [31.75mm]



DO NOT SCALE DRAWING | REV 1
 This product may be covered by one or more patents or patent applications.
 See <http://www.standardlifters.com/patents.html> for details.

Base-GK120-D2
STANDARD LIFTERS INC



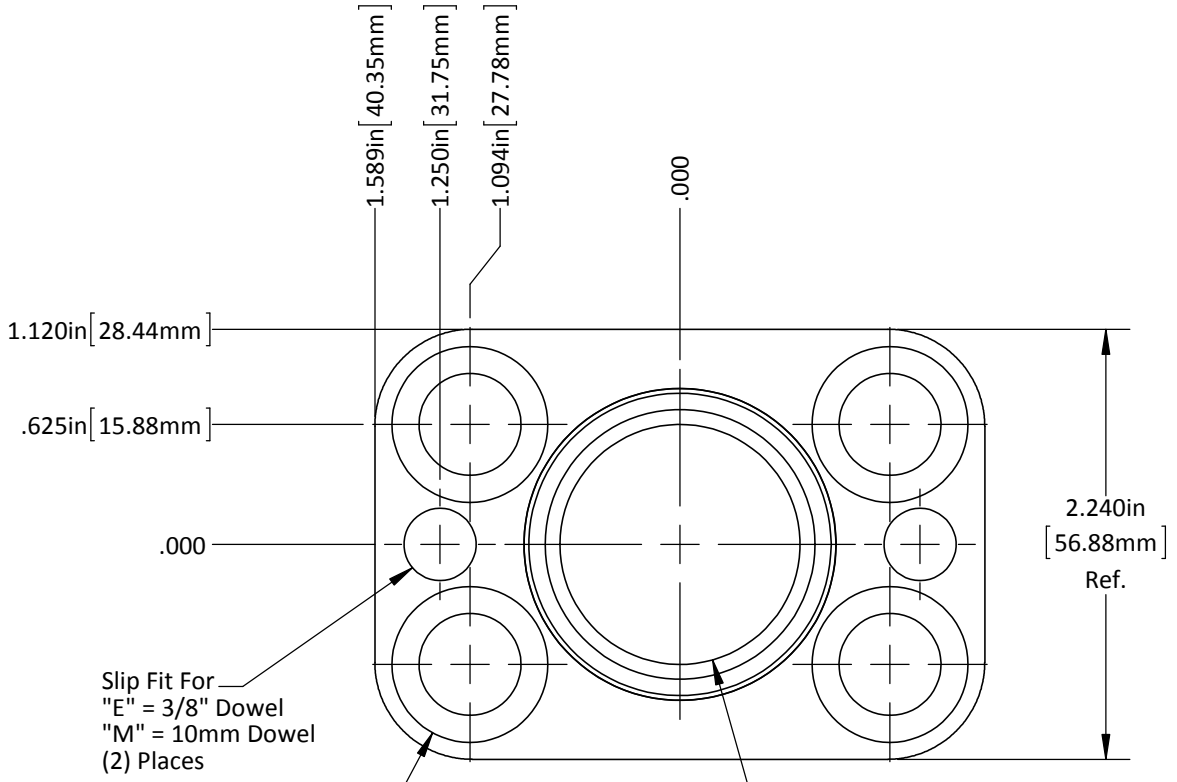
DO NOT SCALE DRAWING

REV 2

This product may be covered by one or more patents or patent applications.
See <http://www.standardlifters.com/patents.html> for details.

GK120-D2-Base Machining

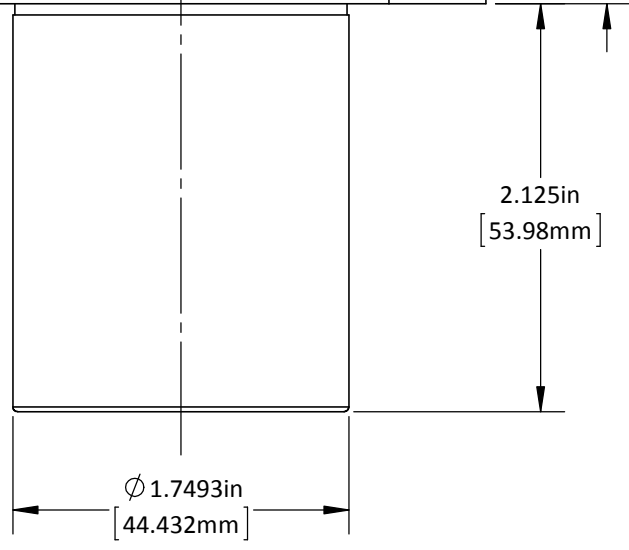
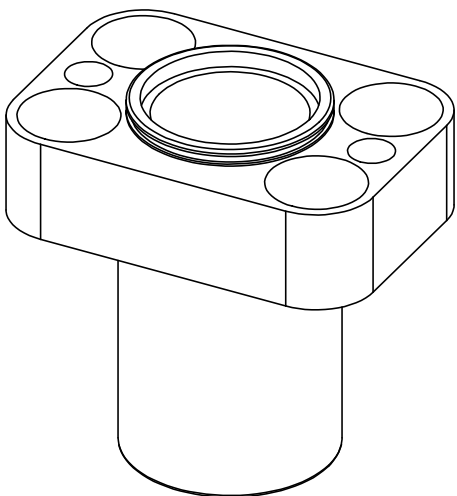
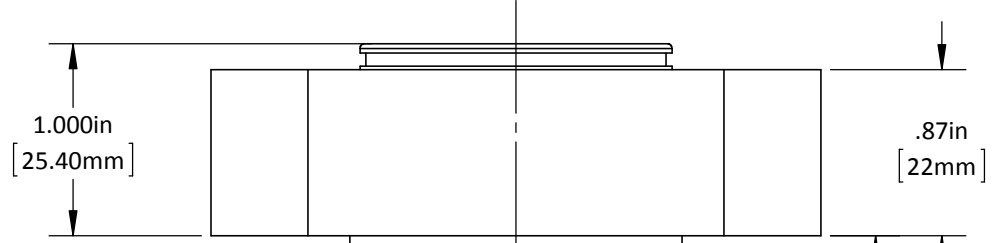
STANDARD LIFTERS INC



Slip Fit For
 "E" = 3/8" Dowel
 "M" = 10mm Dowel
 (2) Places

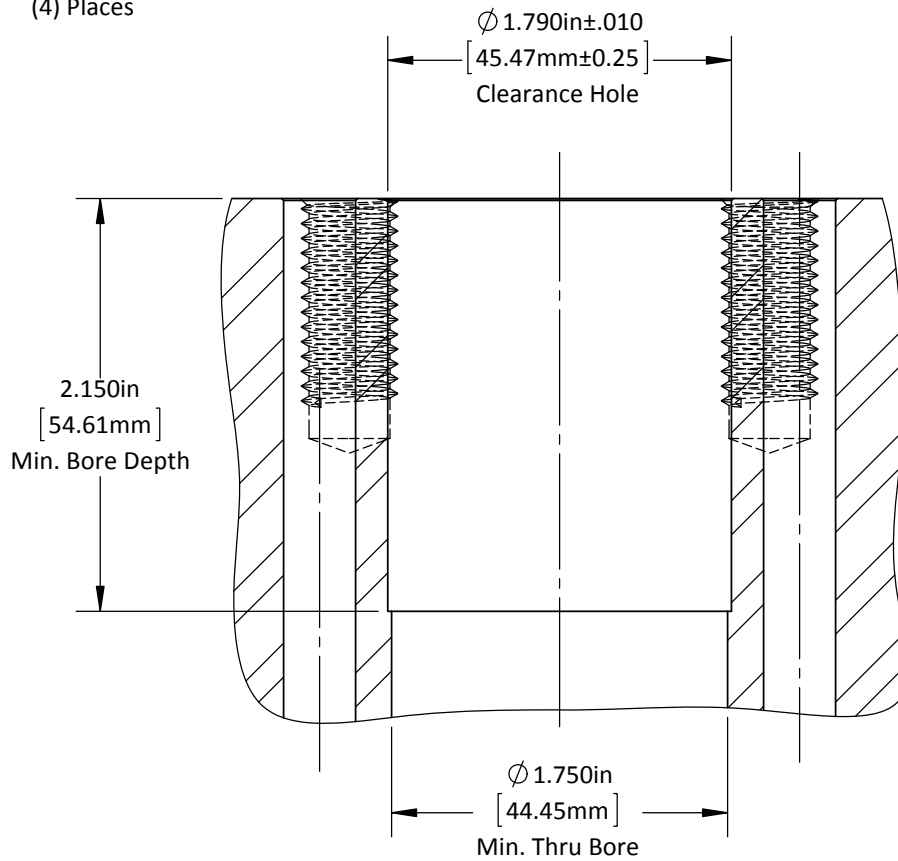
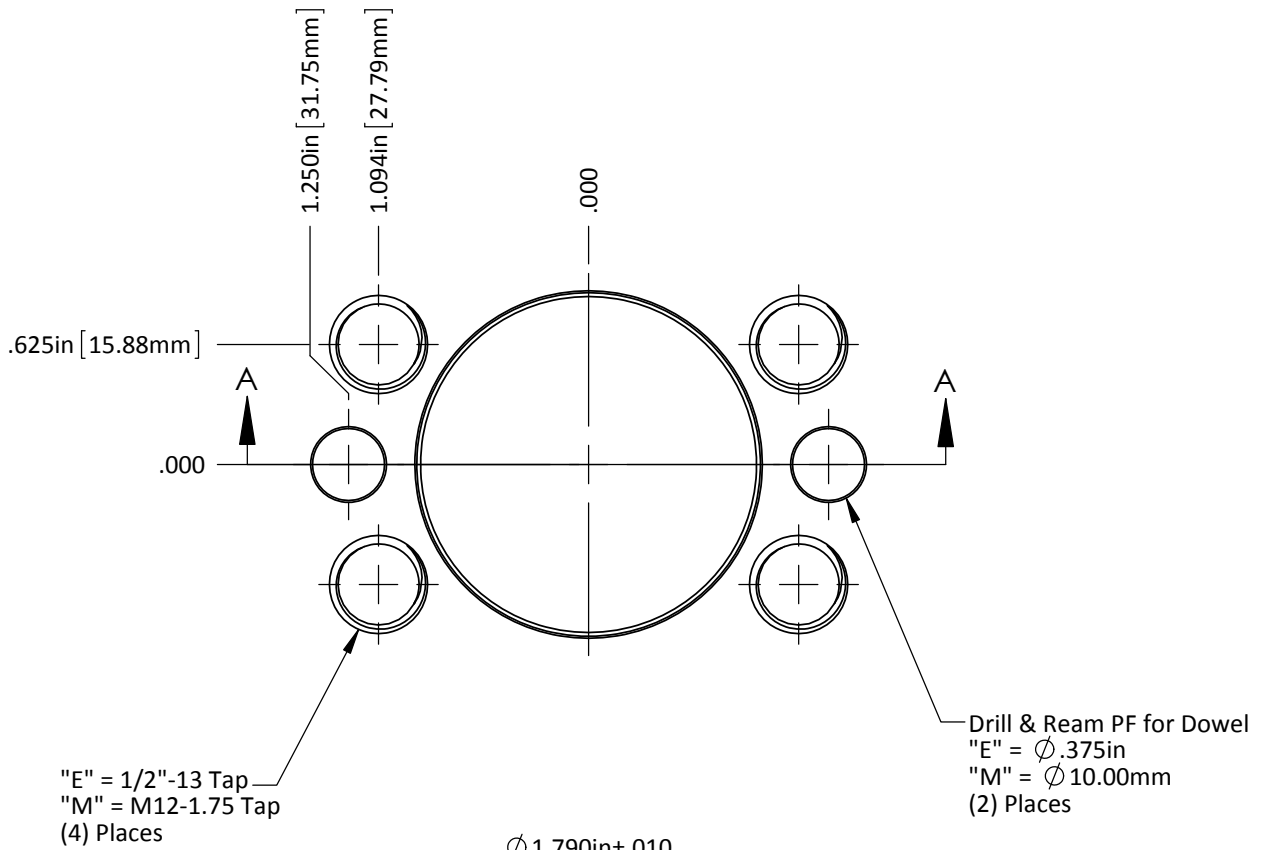
Drilled & C'bored For
 "E" = 1/2" SHCS
 "M" = M12 SHCS
 (4) Places

Ø 1.250in Ref.
 [31.75mm]



DO NOT SCALE DRAWING | REV 1
 This product may be covered by one or more patents or patent applications.
 See <http://www.standardlifters.com/patents.html> for details.

Base-GK120-D3
STANDARD LIFTERS INC



DO NOT SCALE DRAWING

REV 2

This product may be covered by one or more patents or patent applications.
See <http://www.standardlifters.com/patents.html> for details.

GK120-D3-Base Machining

STANDARD LIFTERS INC