

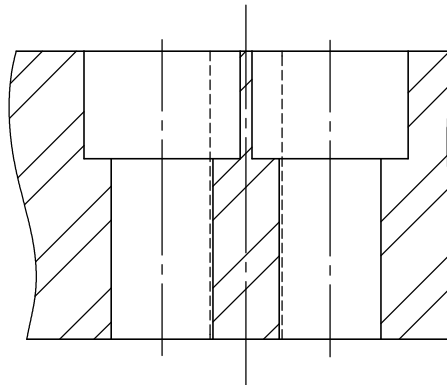
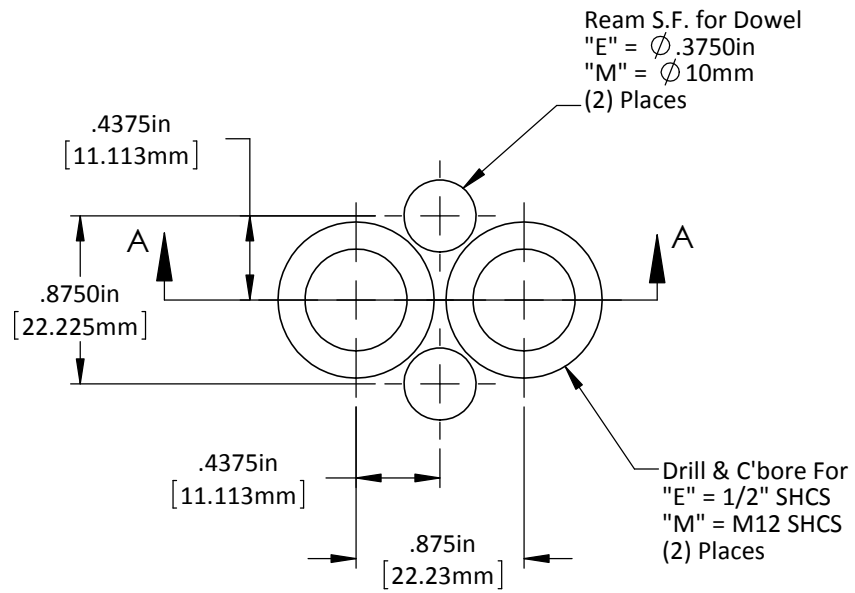
DO NOT SCALE DRAWING

REV 1

This product may be covered by one or more patents or patent applications. See <http://www.standardlifters.com/patents.html> for details.

Guide Pin GK150

STANDARD LIFTERS INC



DO NOT SCALE DRAWING

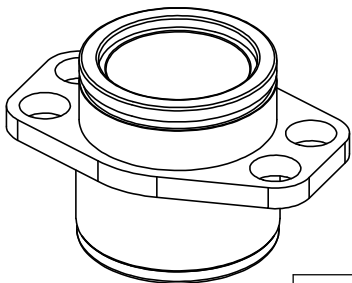
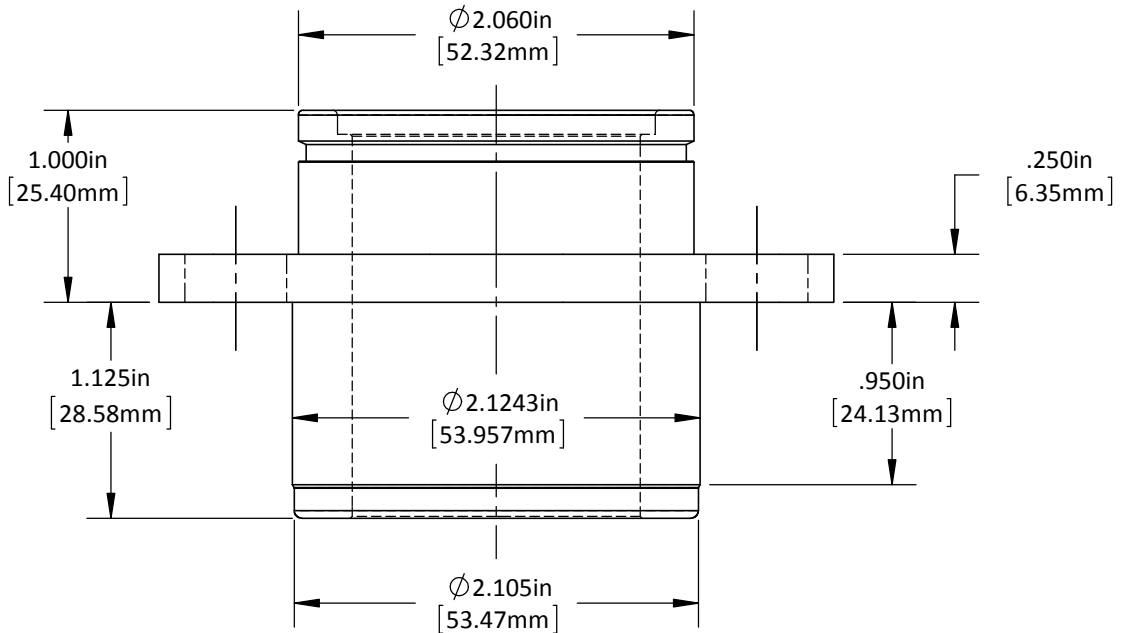
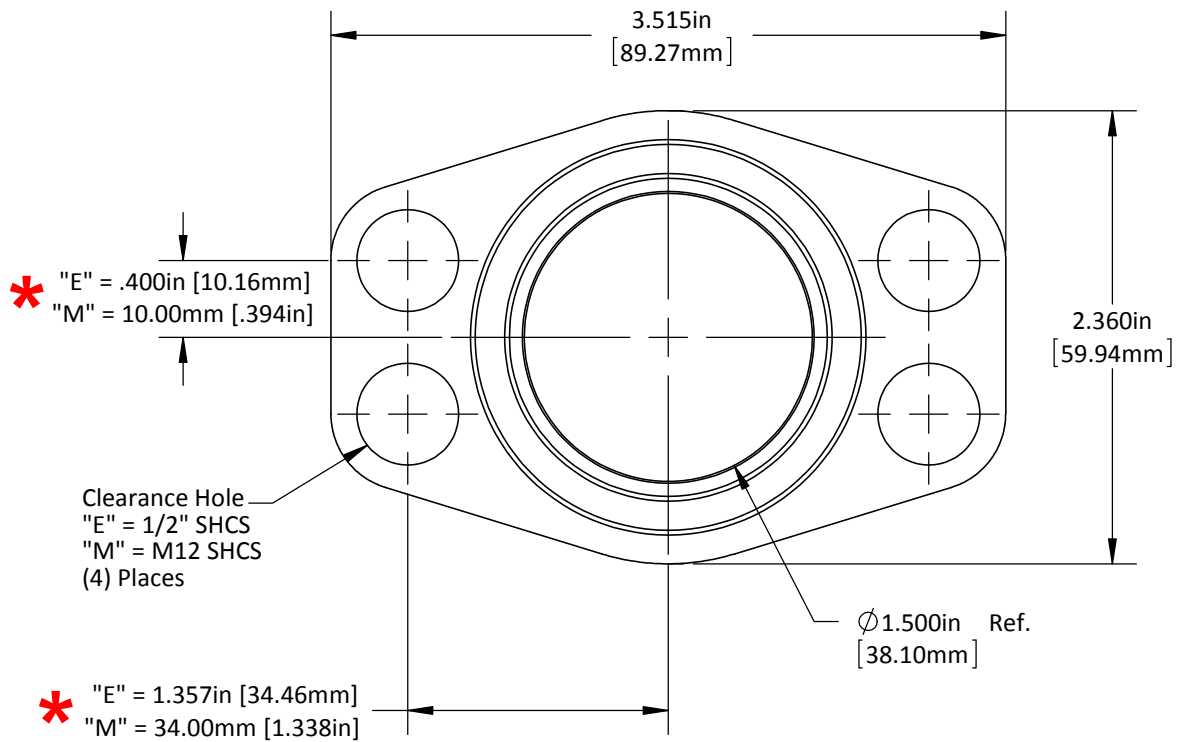
REV 1

Guide Pin GK150-Machining

This product may be covered by one or more patents or patent applications.
 See <http://www.standardlifters.com/patents.html> for details.

STANDARD LIFTERS INC

***Caution: English & Metric Hole Locations are NOT the Same!**



DO NOT SCALE DRAWING

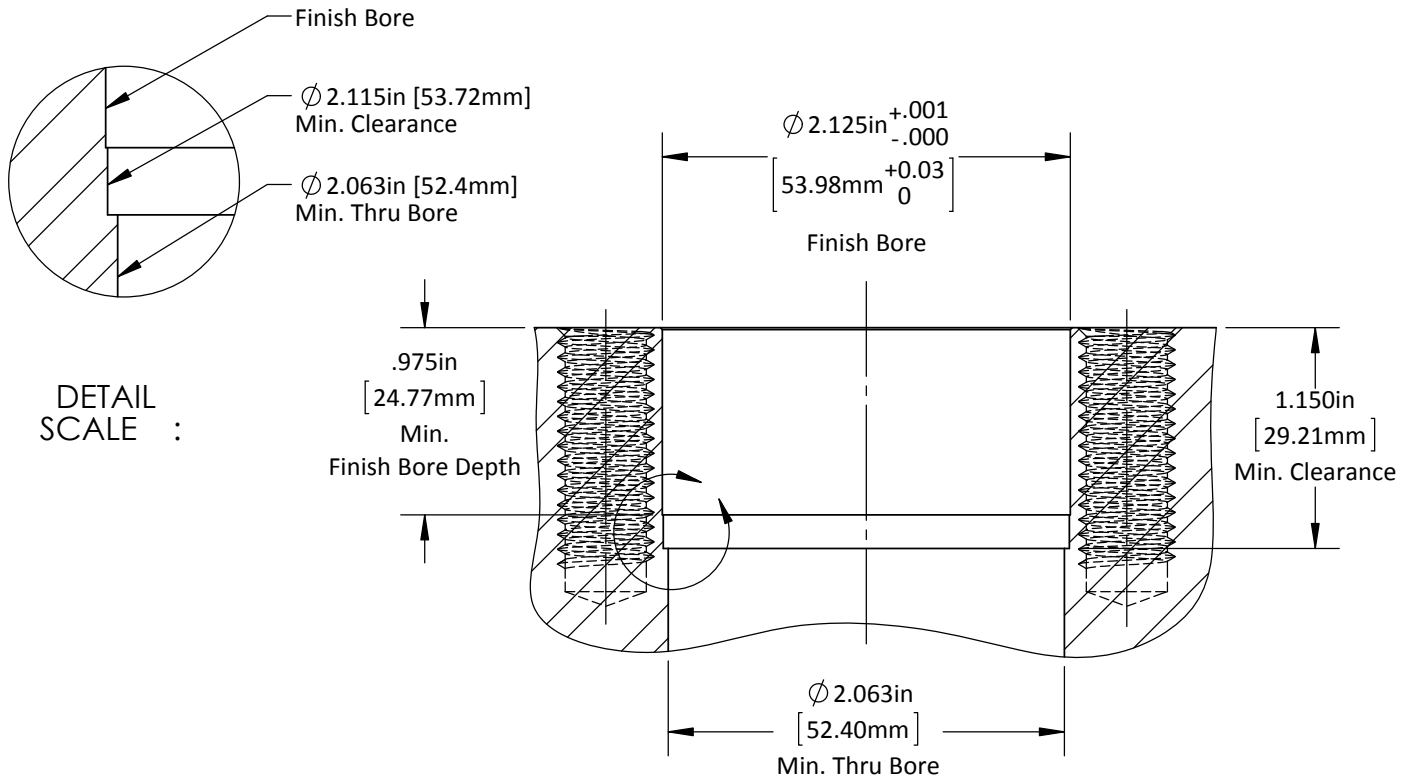
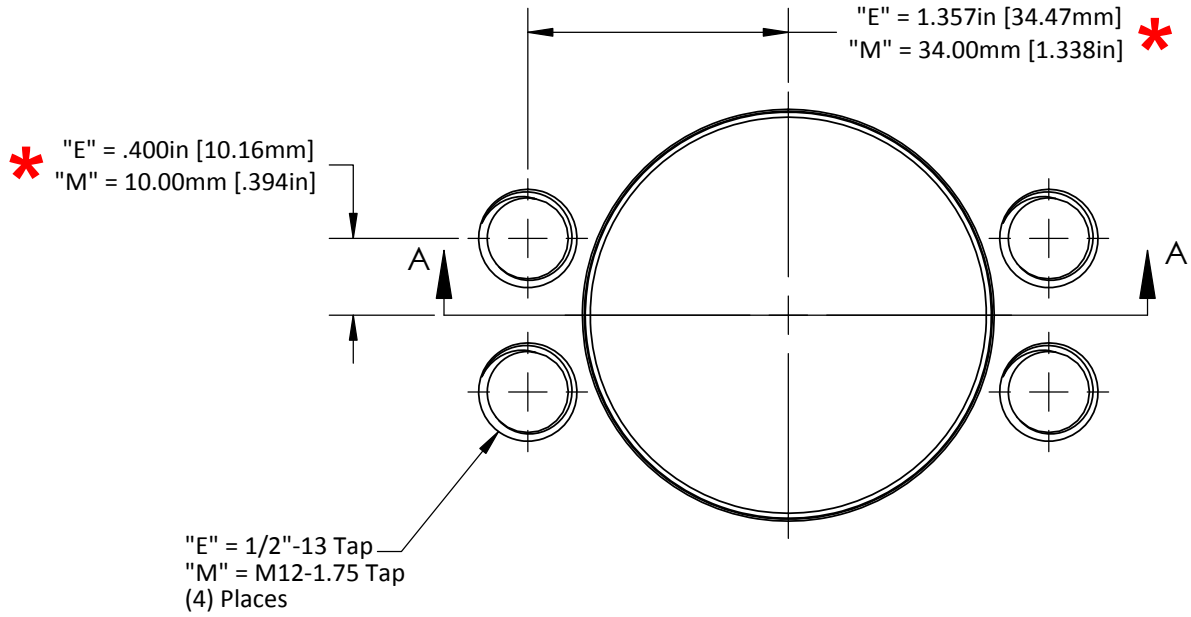
REV 1

This product may be covered by one or more patents or patent applications. See <http://www.standardlifters.com/patents.html> for details.

Base-GK150-L2

STANDARD LIFTERS INC

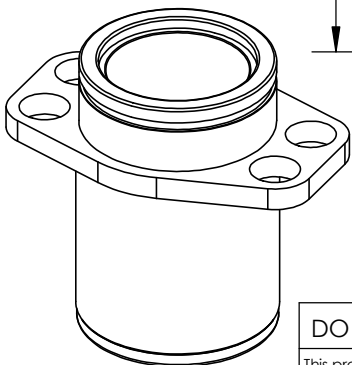
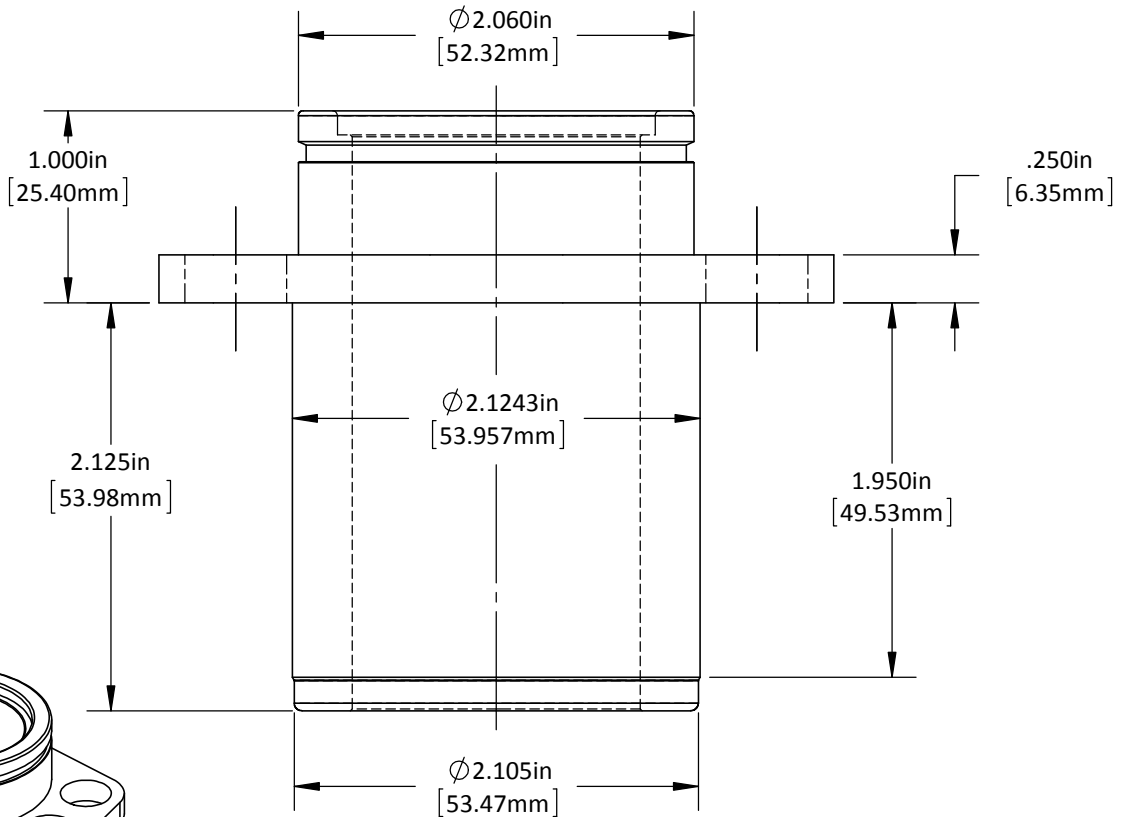
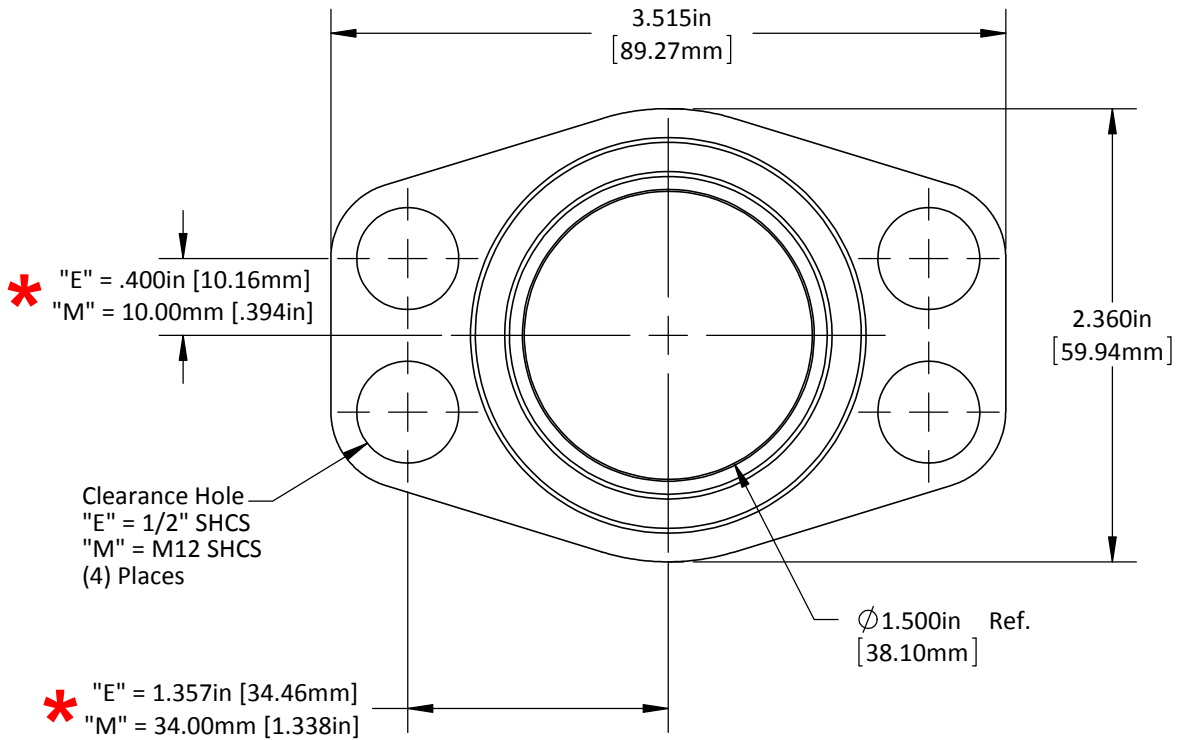
***Caution: English & Metric Hole Locations are NOT the Same!**



DO NOT SCALE DRAWING	REV 2
This product may be covered by one or more patents or patent applications. See http://www.standardlifters.com/patents.html for details.	

GK150-L2-Base Machining
STANDARD LIFTERS INC

***Caution: English & Metric Hole Locations are NOT the Same!**



DO NOT SCALE DRAWING

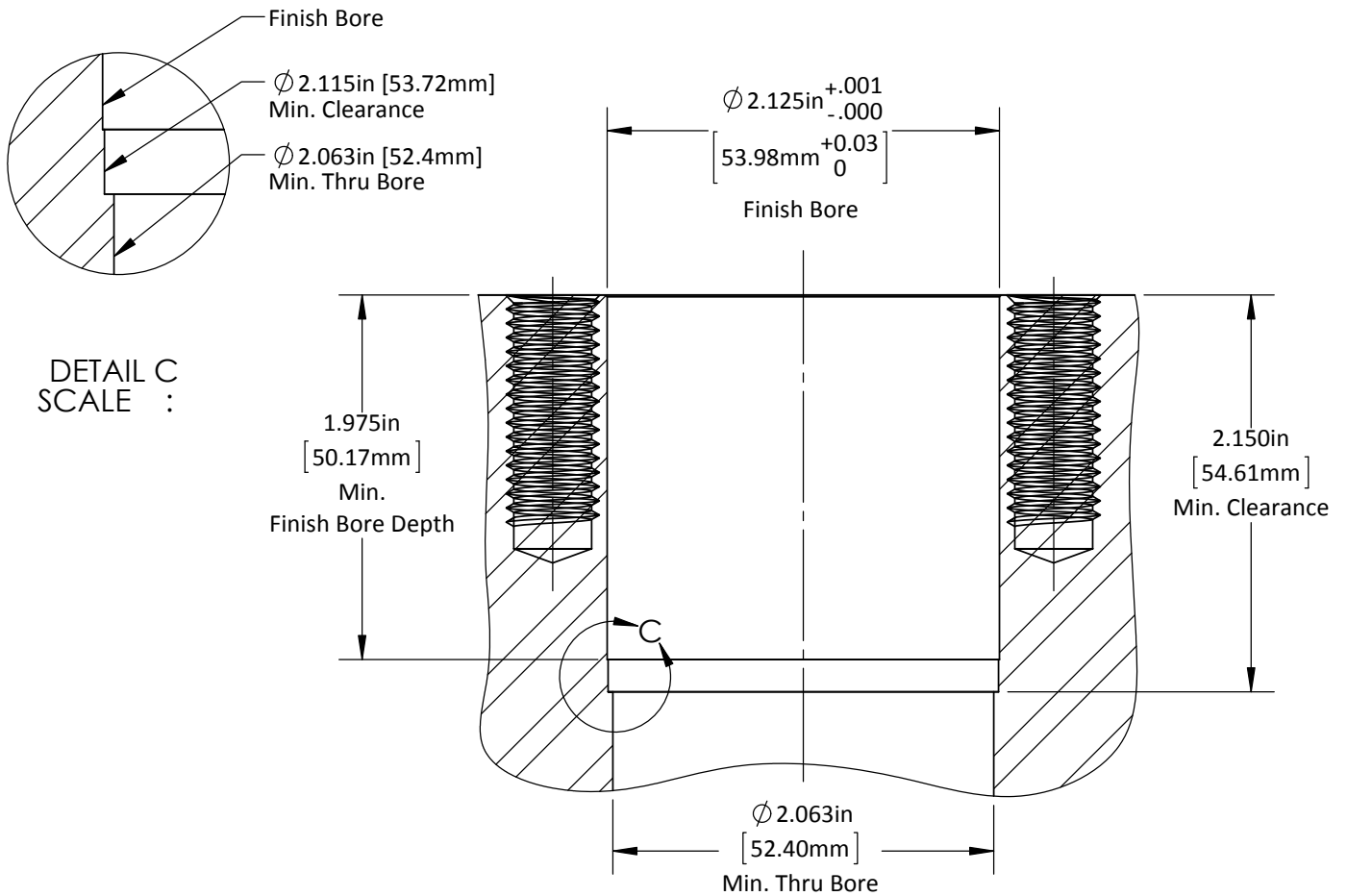
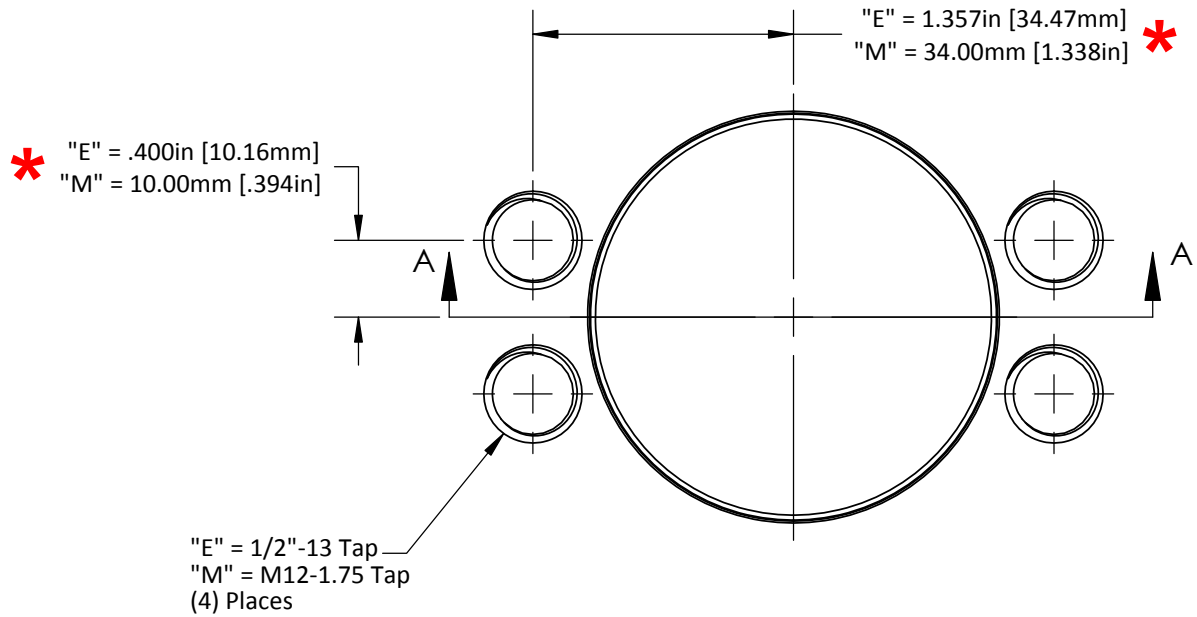
REV 1

This product may be covered by one or more patents or patent applications.
See <http://www.standardlifters.com/patents.html> for details.

Base-GK150-L3

STANDARD LIFTERS INC

***Caution: English & Metric Hole Locations are NOT the Same!**



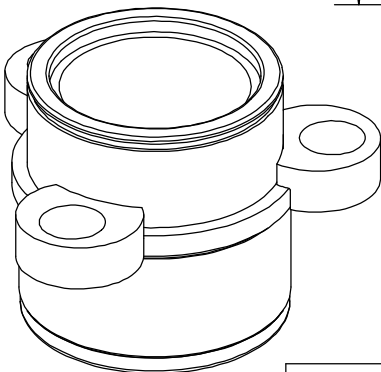
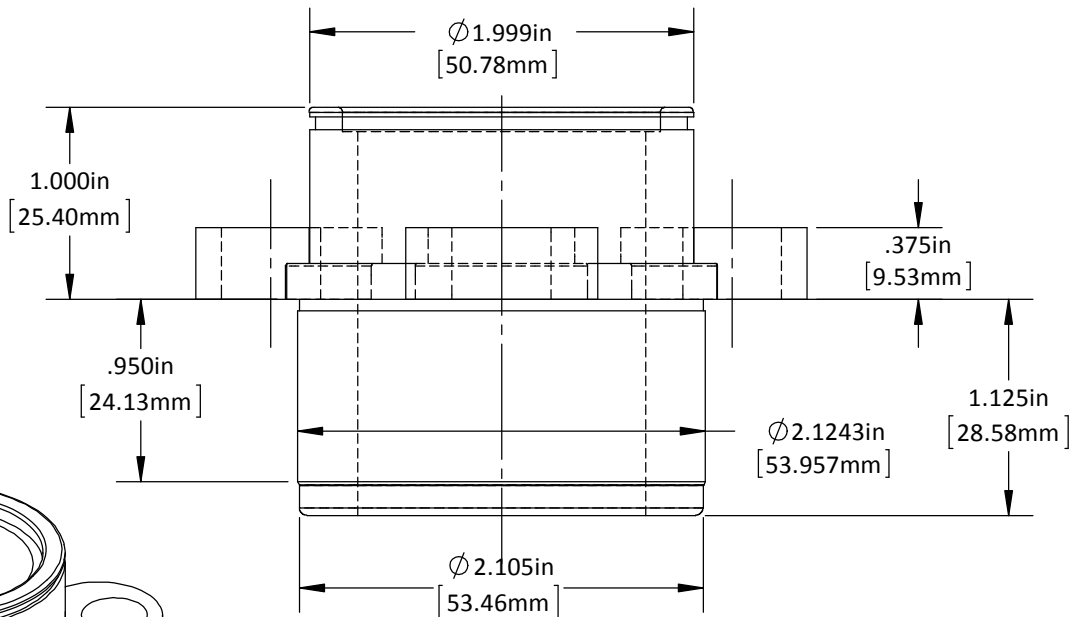
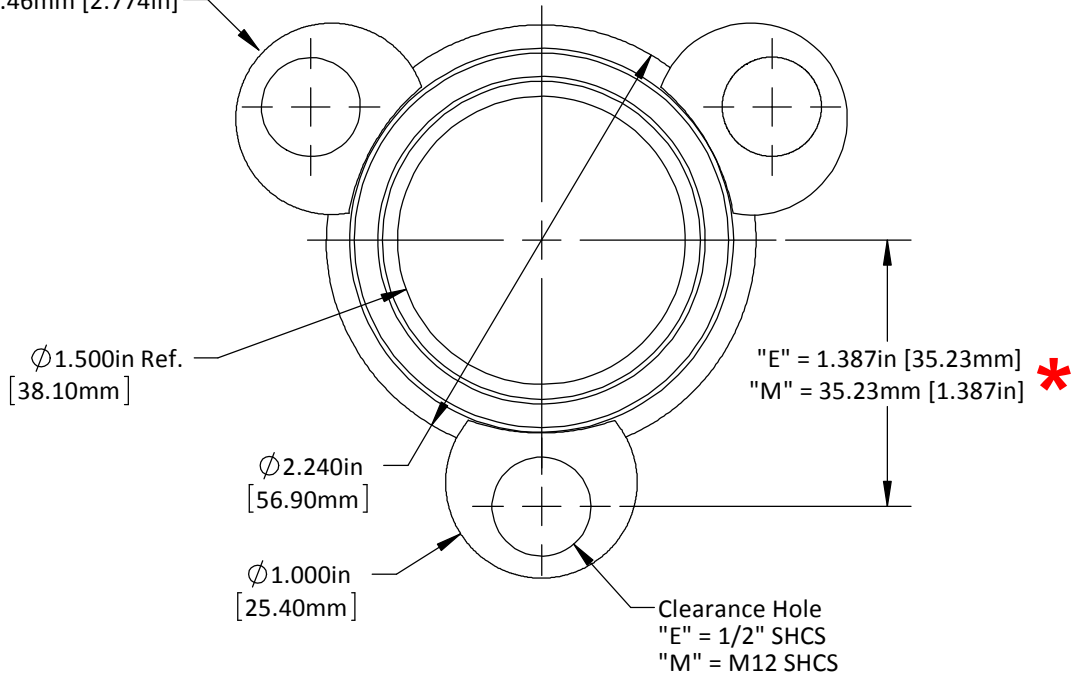
DO NOT SCALE DRAWING	REV 2
This product may be covered by one or more patents or patent applications. See http://www.standardlifters.com/patents.html for details.	

GK150-L3-Base Machining
STANDARD LIFTERS INC

*** Caution: English & Metric Hole Locations are NOT the Same!**

(3) Flange Clamps on Bolt Circle:

* "E" = ϕ 2.774in [70.46mm]
 "M" = ϕ 70.46mm [2.774in]



DO NOT SCALE DRAWING

REV 2

This product may be covered by one or more patents or patent applications.
 See <http://www.standardlifters.com/patents.html> for details.

Base-GK150-H2

STANDARD LIFTERS INC

*** Caution: English & Metric Hole Locations are NOT the Same!**

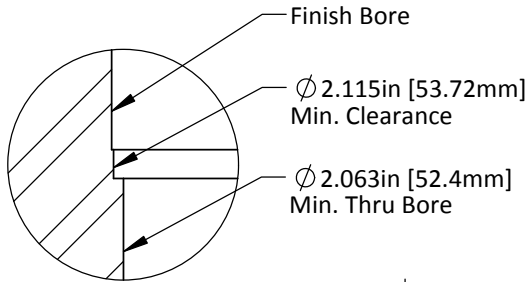
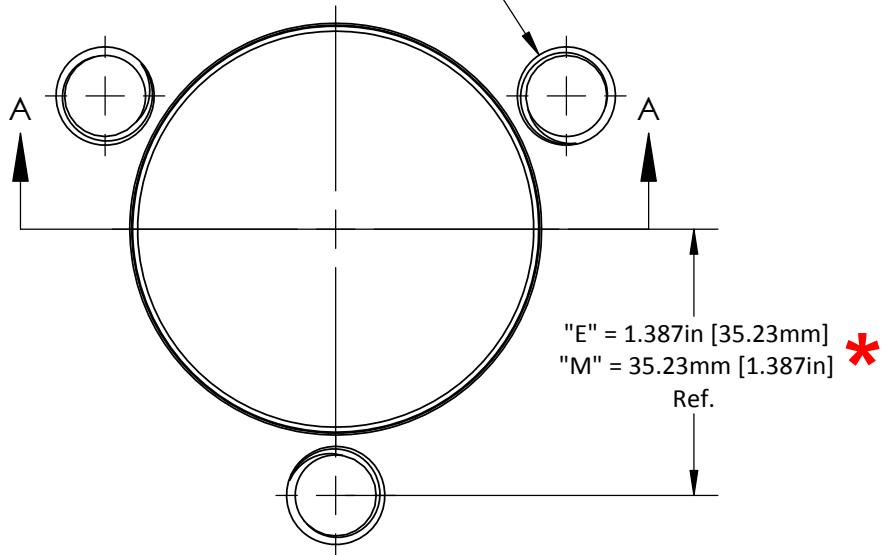
"E" = 1/2"-13 Tap

"M" = M12-1.75 Tap

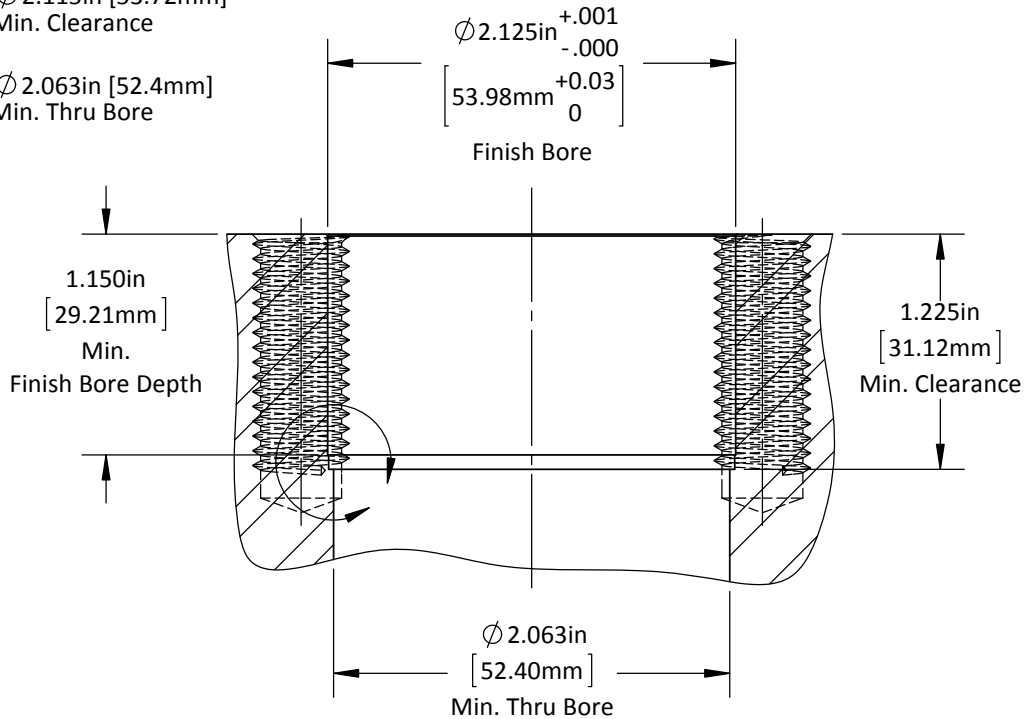
(3) Places on a Bolt Circle

* "E" = $\varnothing 2.774\text{in}$ [70.46mm]

"M" = $\varnothing 70.46\text{mm}$ [2.774in]



DETAIL SCALE :



DO NOT SCALE DRAWING

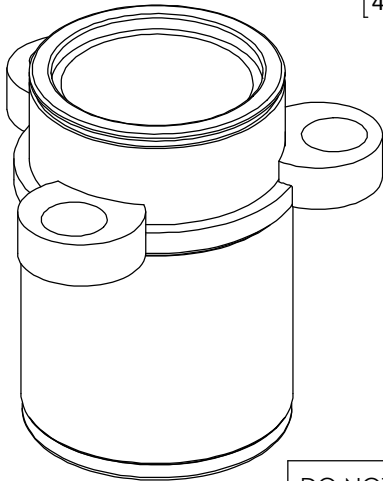
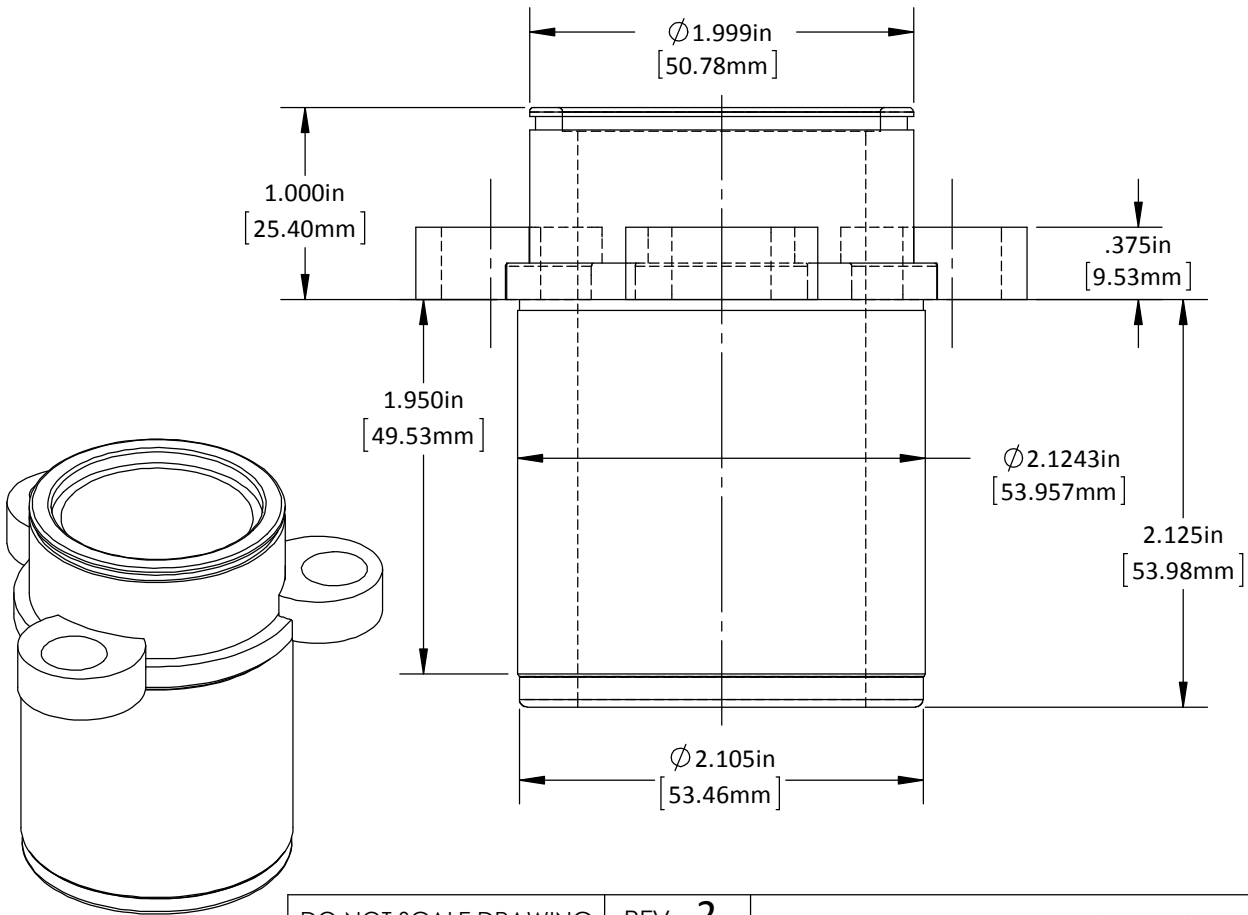
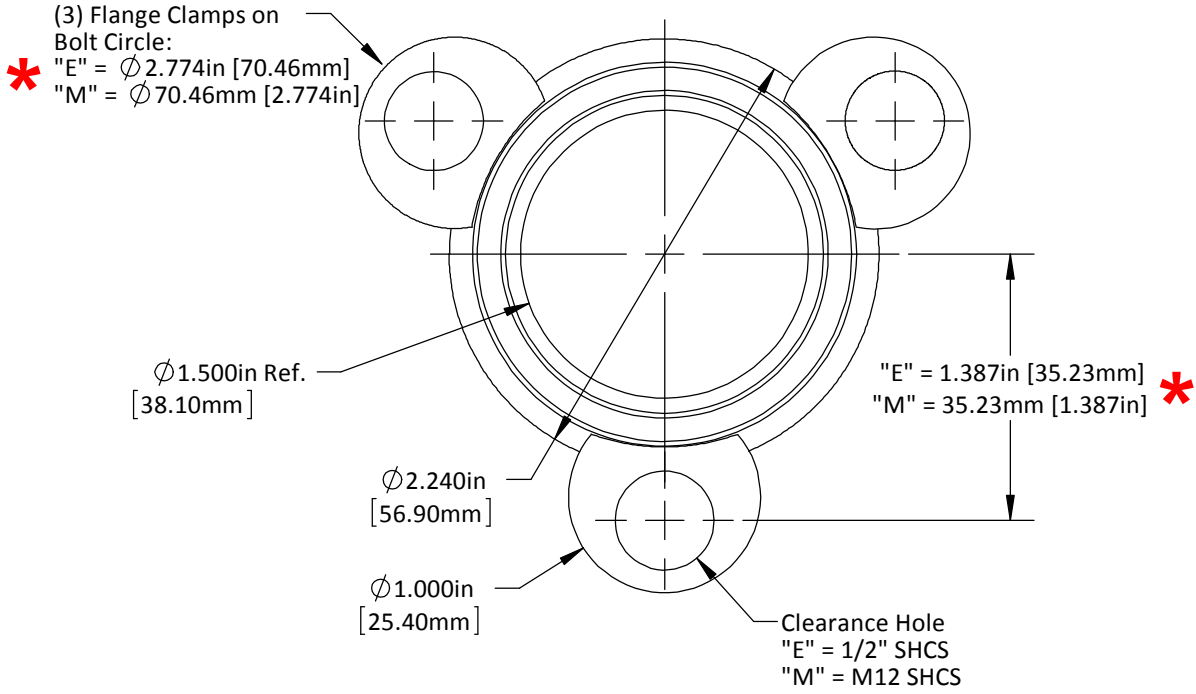
REV 2

GK150-H2-Base Machining

This product may be covered by one or more patents or patent applications.
See <http://www.standardlifters.com/patents.html> for details.

STANDARD LIFTERS INC

*** Caution: English & Metric Hole Locations are NOT the Same!**

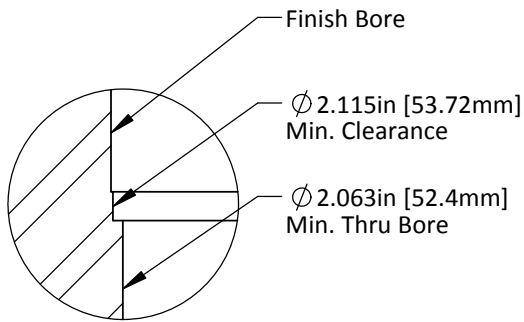
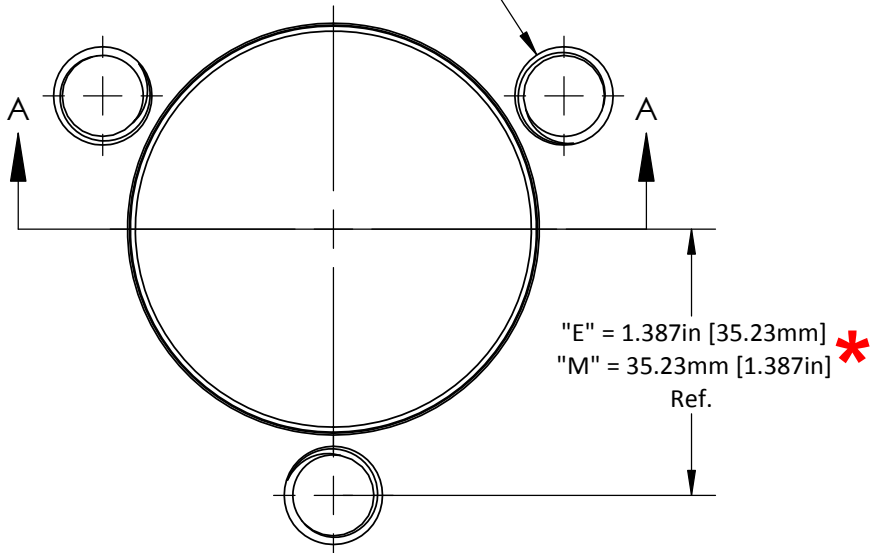


DO NOT SCALE DRAWING | REV 2
 This product may be covered by one or more patents or patent applications.
 See <http://www.standardlifters.com/patents.html> for details.

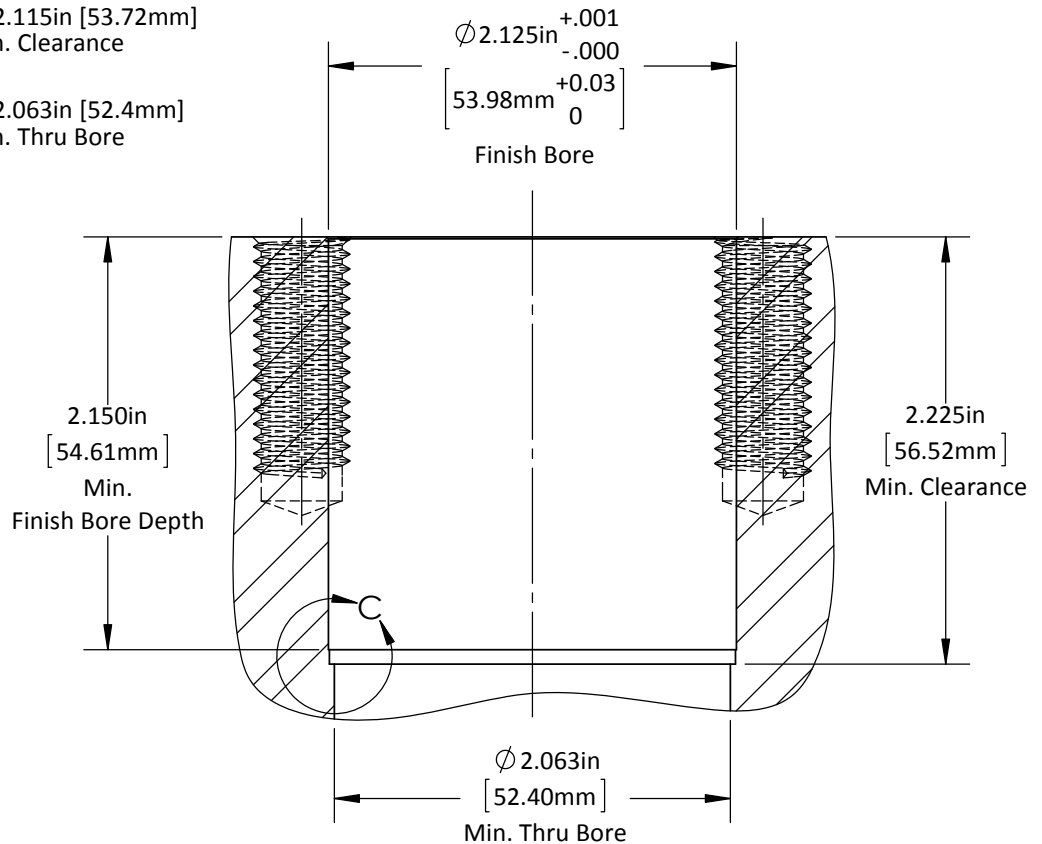
Base-GK150-H3
STANDARD LIFTERS INC

*** Caution: English & Metric Hole Locations are NOT the Same!**

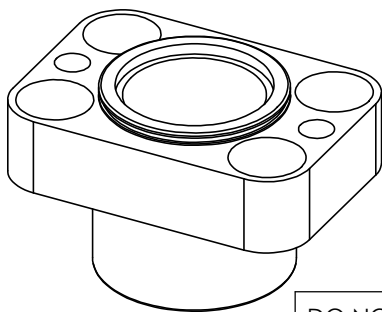
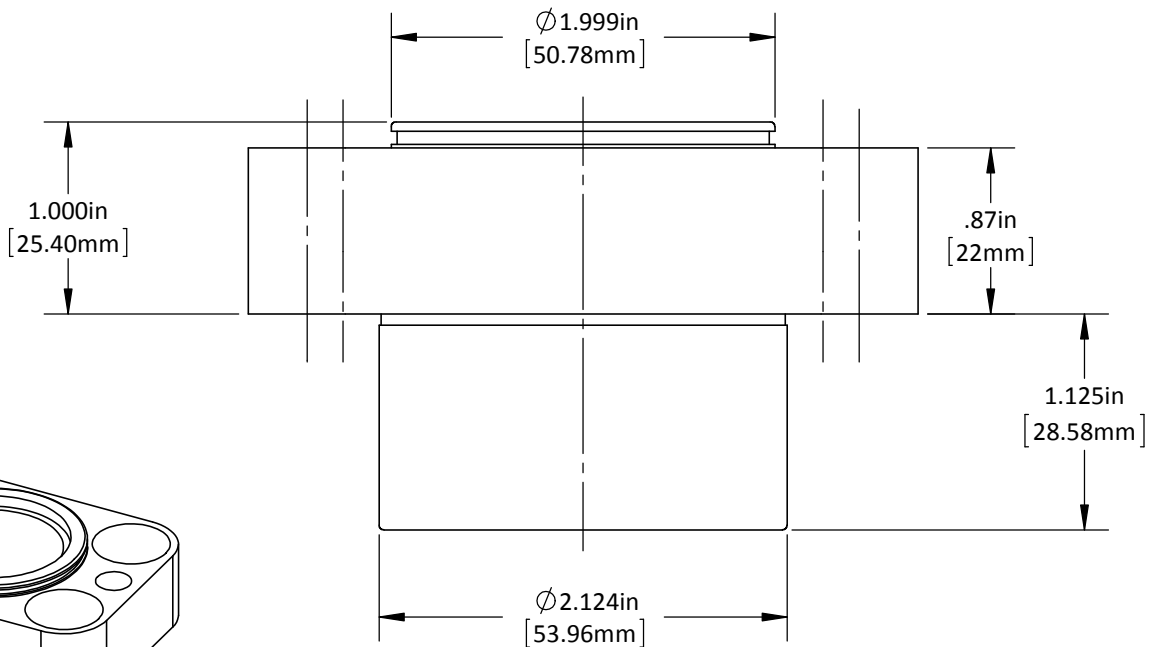
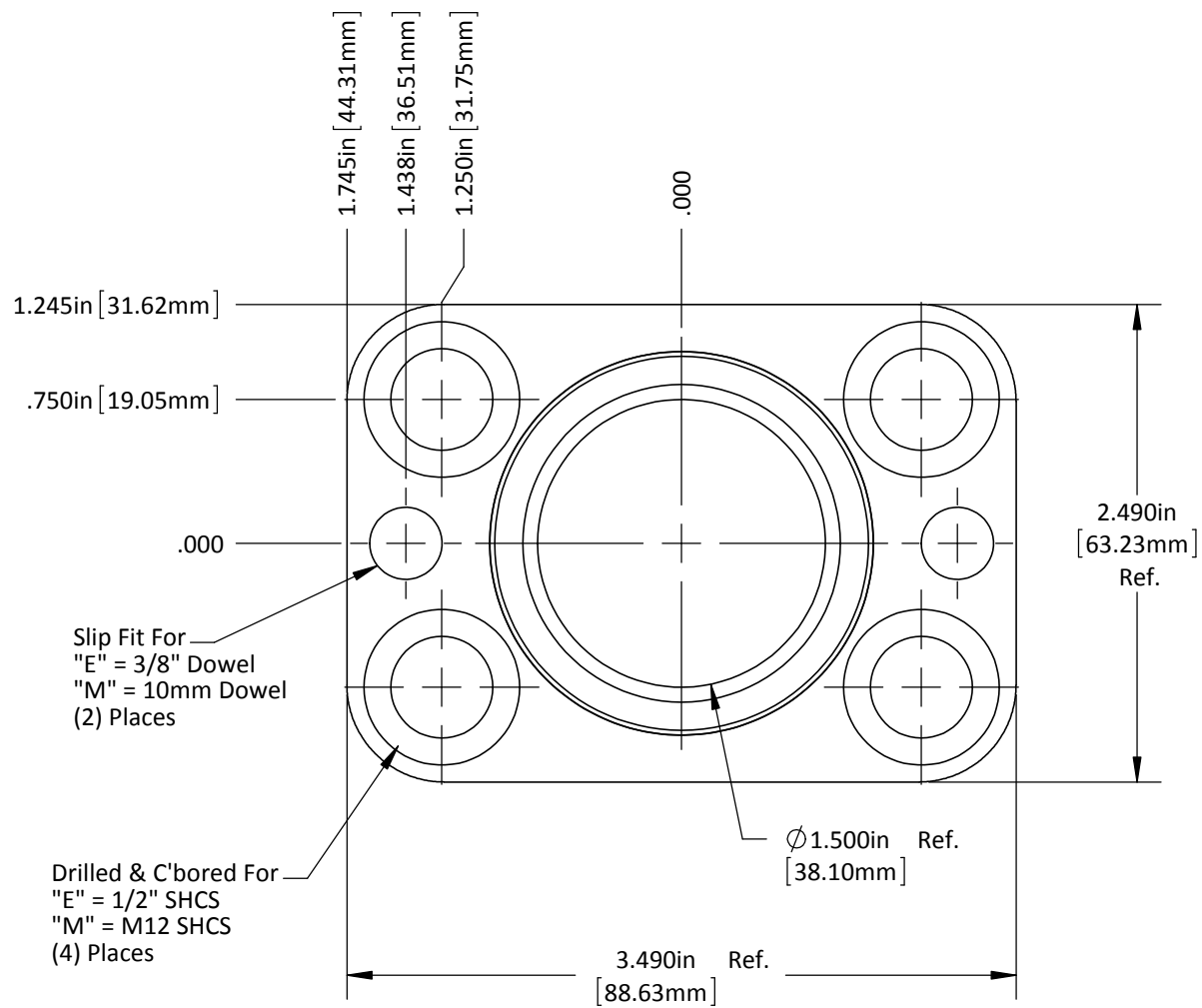
"E" = 1/2"-13 Tap
 "M" = M12-1.75 Tap
 (3) Places on a Bolt Circle
 * "E" = \varnothing 2.774in [70.46mm]
 "M" = \varnothing 70.46mm [2.774in]



DETAIL C
 SCALE :



DO NOT SCALE DRAWING	REV 2	GK150-H3-Base Machining
This product may be covered by one or more patents or patent applications. See http://www.standardlifters.com/patents.html for details.		



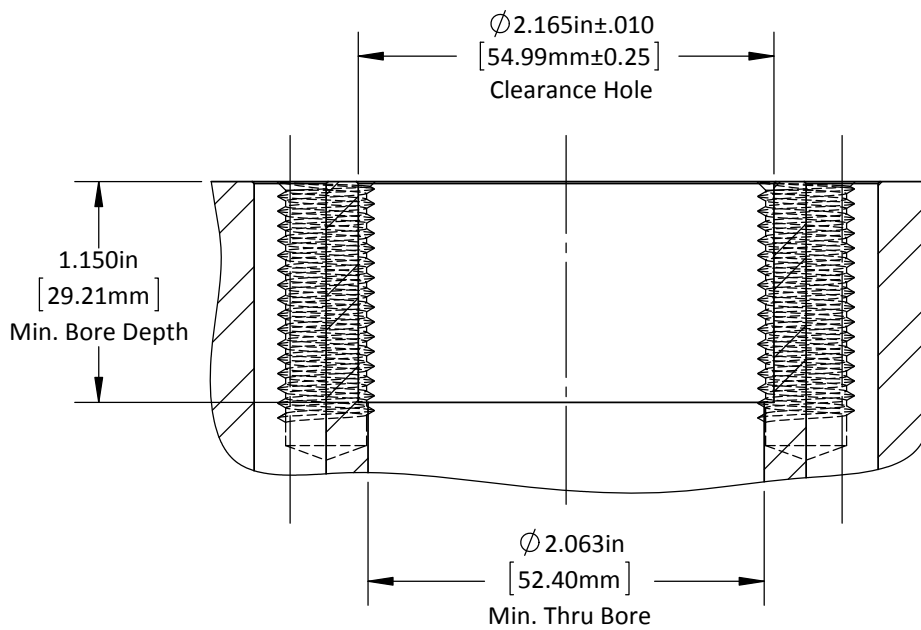
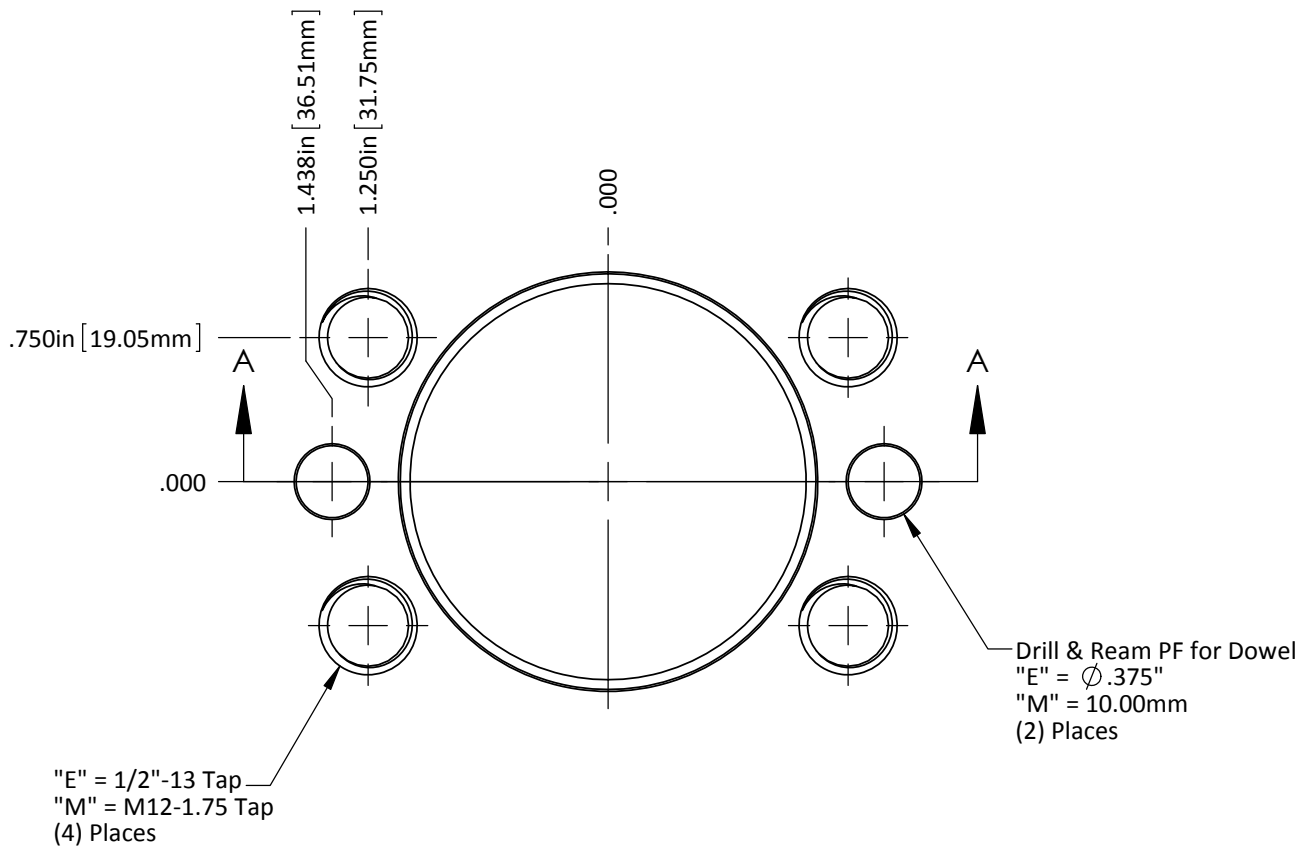
DO NOT SCALE DRAWING

REV 1

This product may be covered by one or more patents or patent applications.
 See <http://www.standardlifters.com/patents.html> for details.

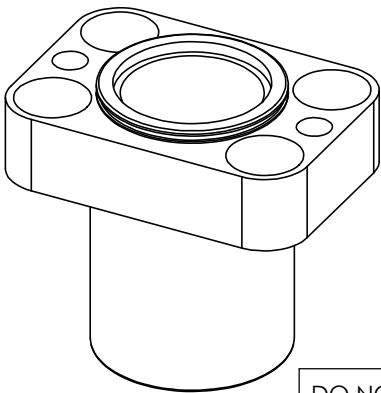
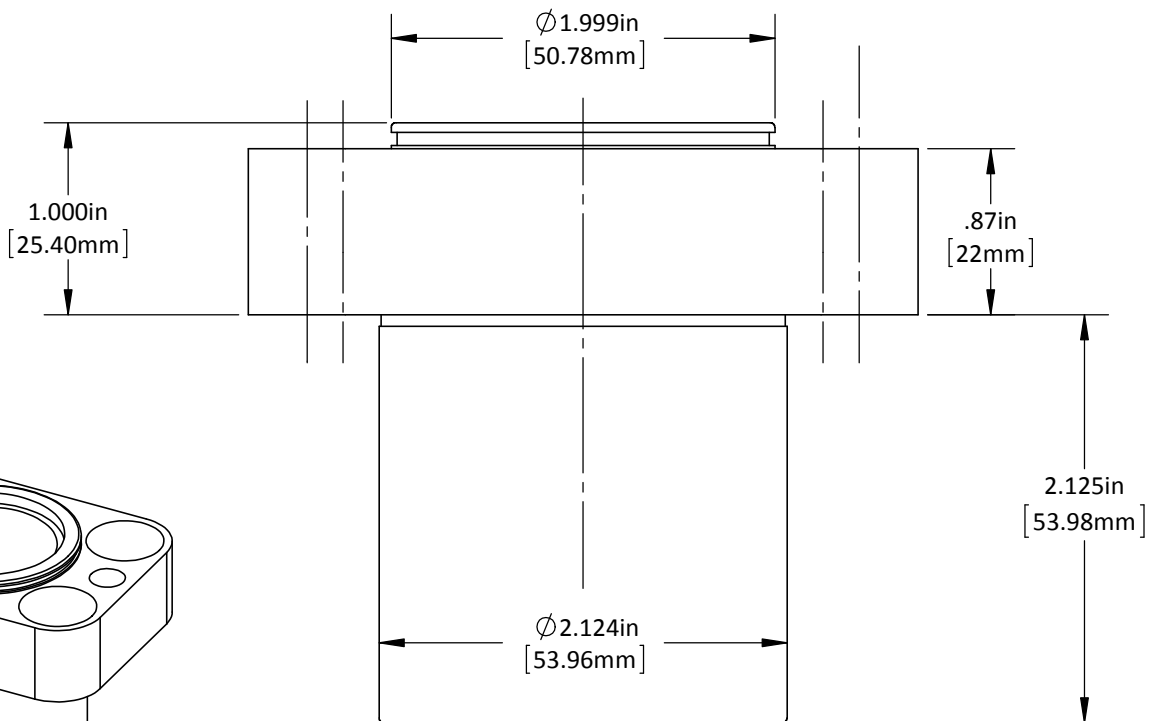
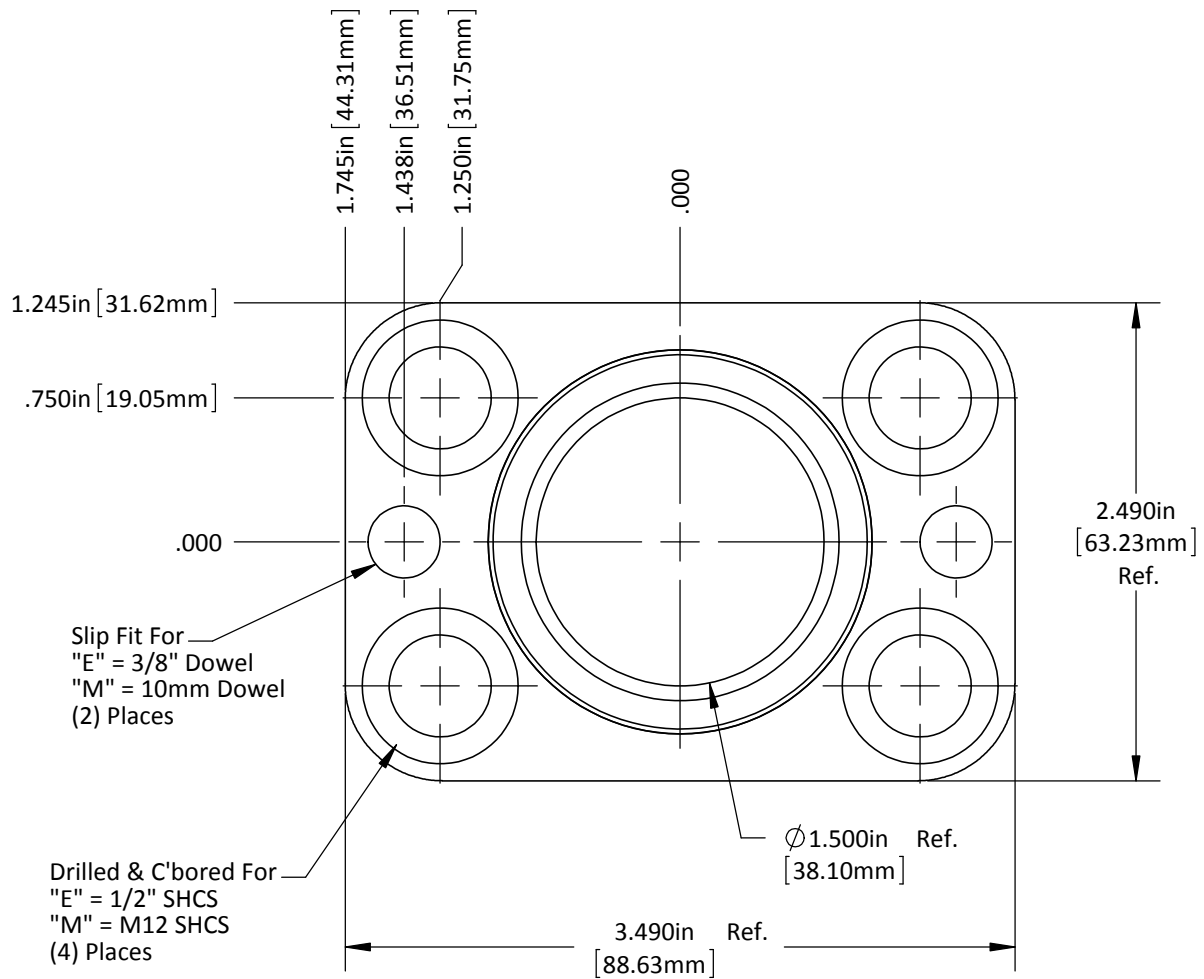
Base-GK150-D2

STANDARD LIFTERS INC



DO NOT SCALE DRAWING	REV 2
This product may be covered by one or more patents or patent applications. See http://www.standardlifters.com/patents.html for details.	

GK150-D2-Base Machining
STANDARD LIFTERS INC



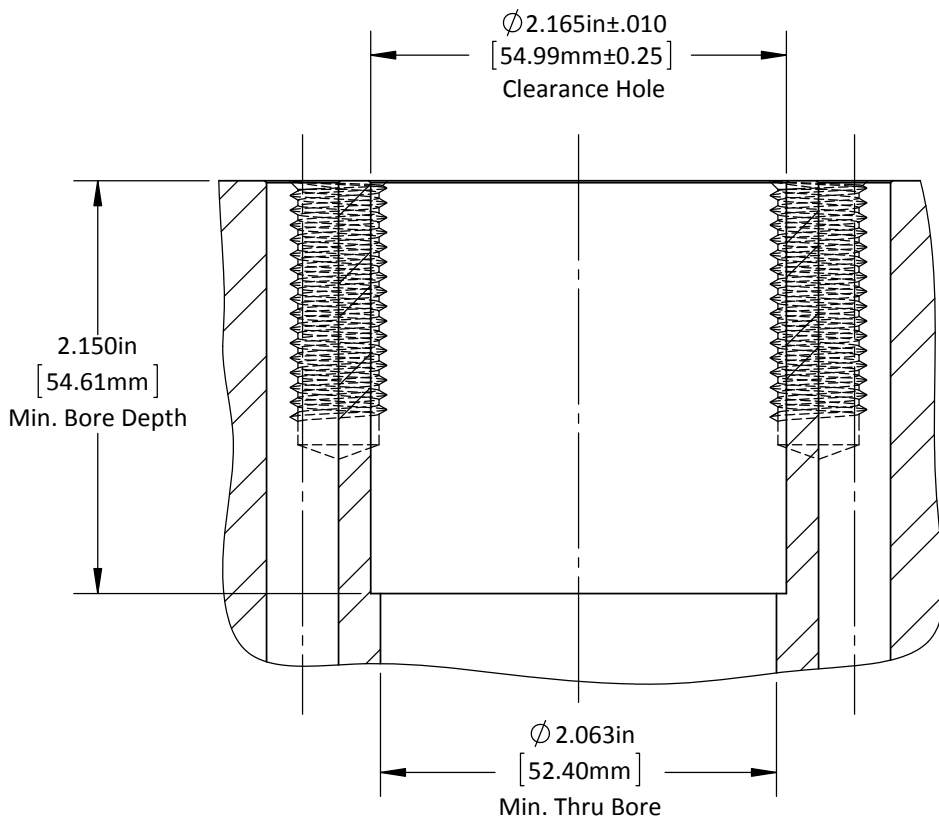
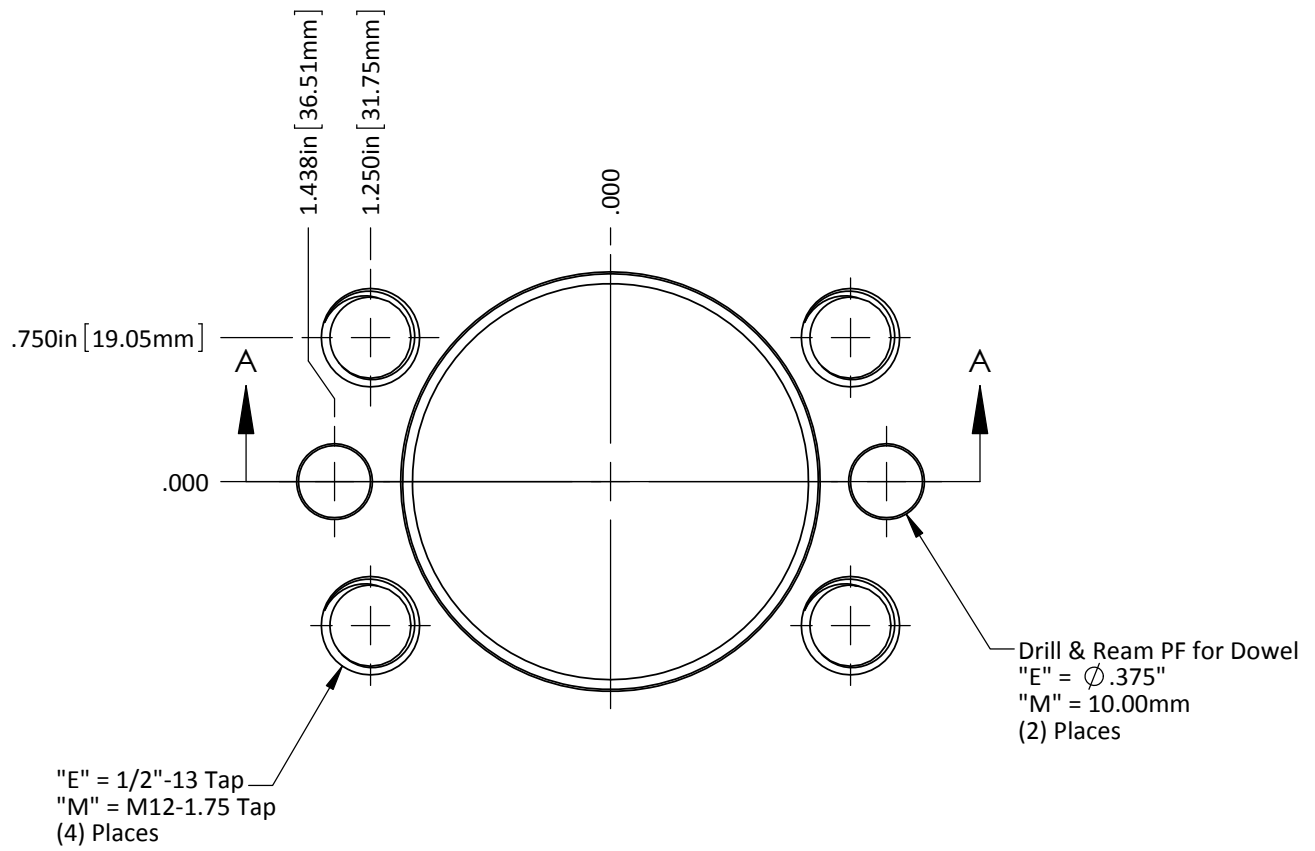
DO NOT SCALE DRAWING

REV 1

This product may be covered by one or more patents or patent applications.
See <http://www.standardlifters.com/patents.html> for details.

Base-GK150-D3

STANDARD LIFTERS INC



DO NOT SCALE DRAWING REV 2

This product may be covered by one or more patents or patent applications.
See <http://www.standardlifters.com/patents.html> for details.

GK150-D3-Base Machining

STANDARD LIFTERS INC