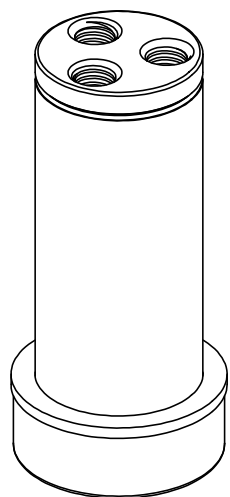
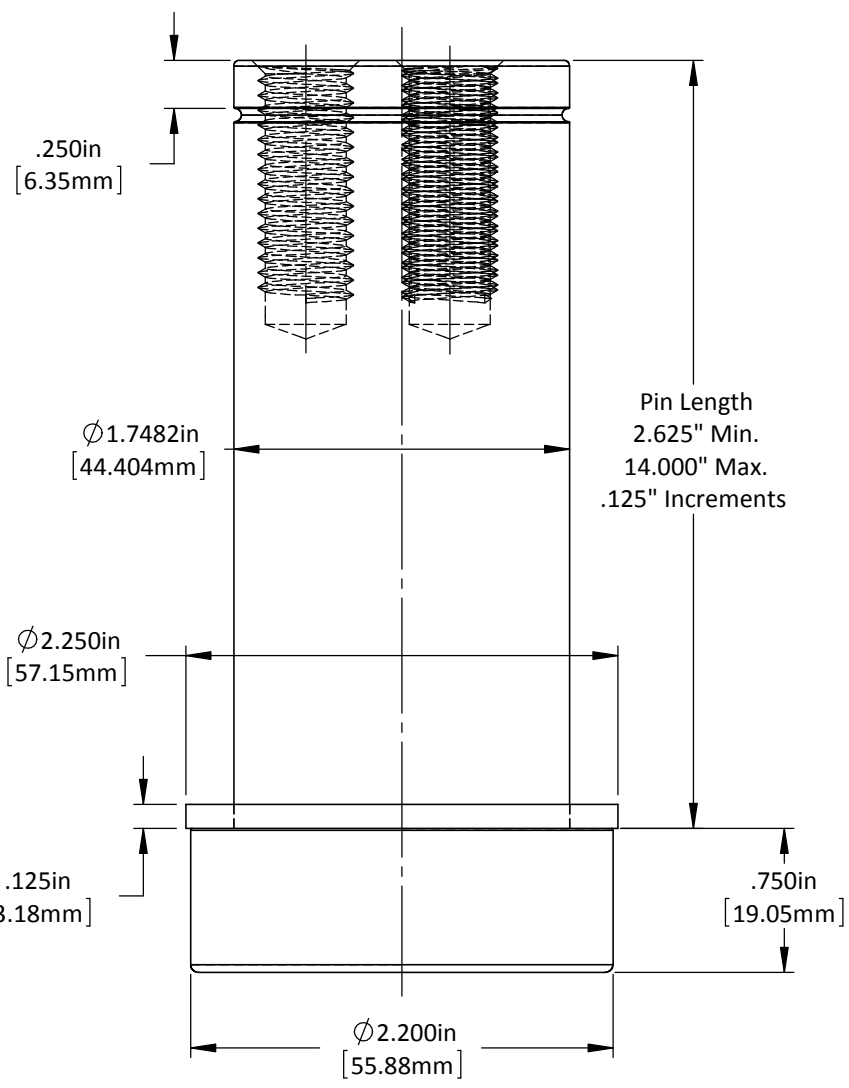


"E" = 1/2"-13 Tap
 1.25in Dp.
 "M" = M12-1.75 Tap
 32mm Dp.
 (3) Places Equally Spaced
 On a ϕ 1.000in [25.4mm]
 Bolt Circle

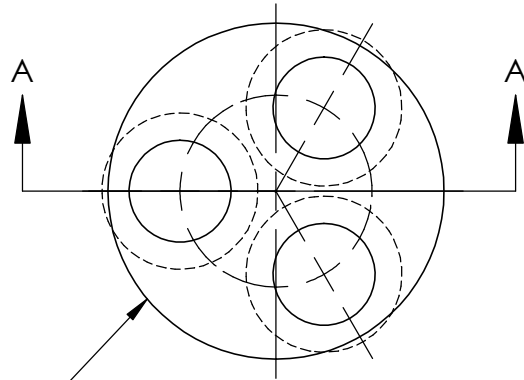


DO NOT SCALE DRAWING REV 1

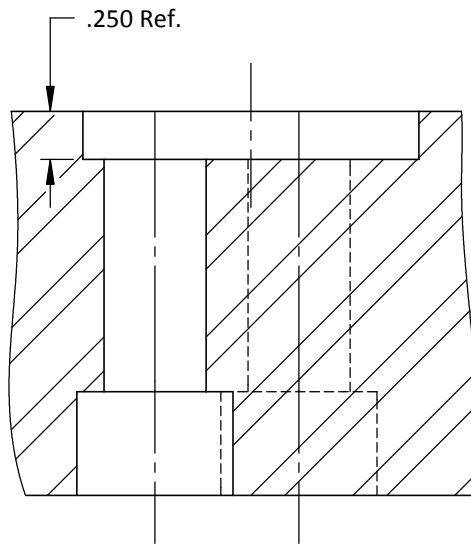
This product may be covered by one or more patents or patent applications.
 See <http://www.standardlifters.com/patents.html> for details.

Guide Pin GK180

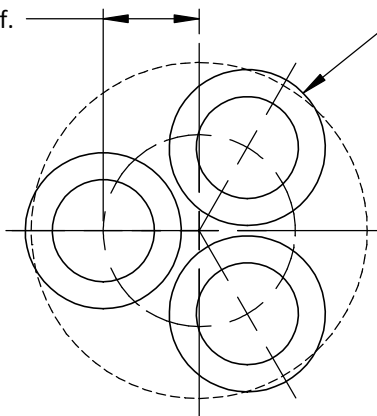
STANDARD LIFTERS INC



$\varnothing 1.7500\text{in} \pm .0005 \text{ X } .250\text{in Dp.}$
 $[\varnothing 44.450\text{mm} \pm .013 \text{ X } 6.35\text{mm Dp.}]$



.500 Ref.

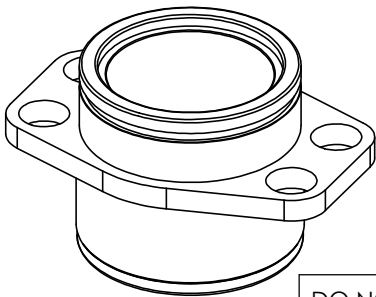
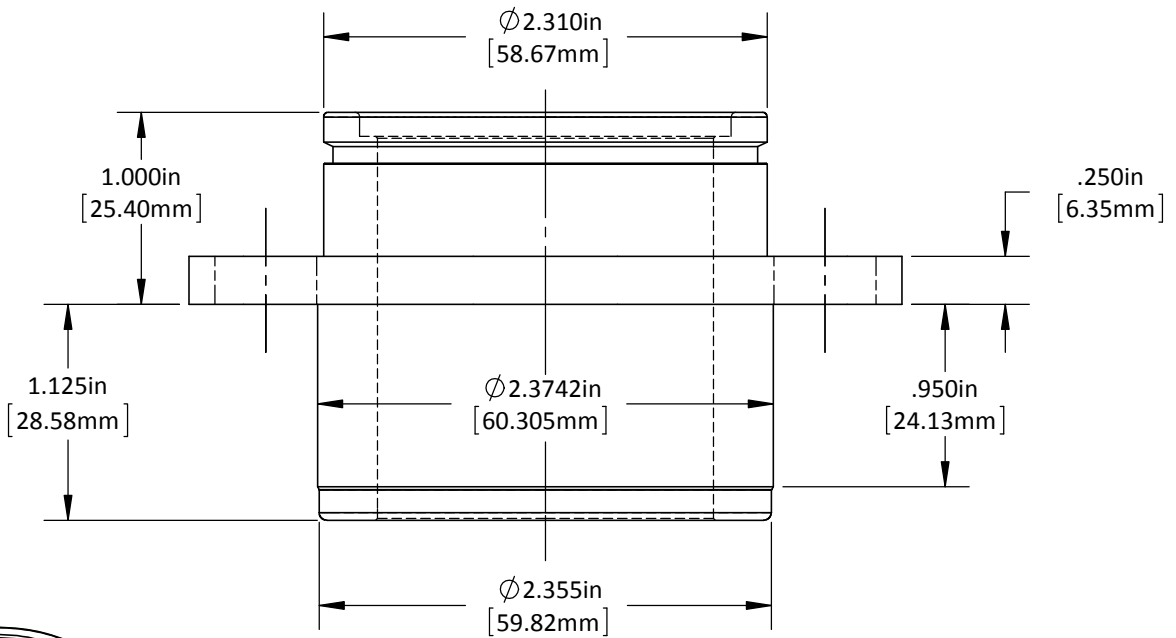
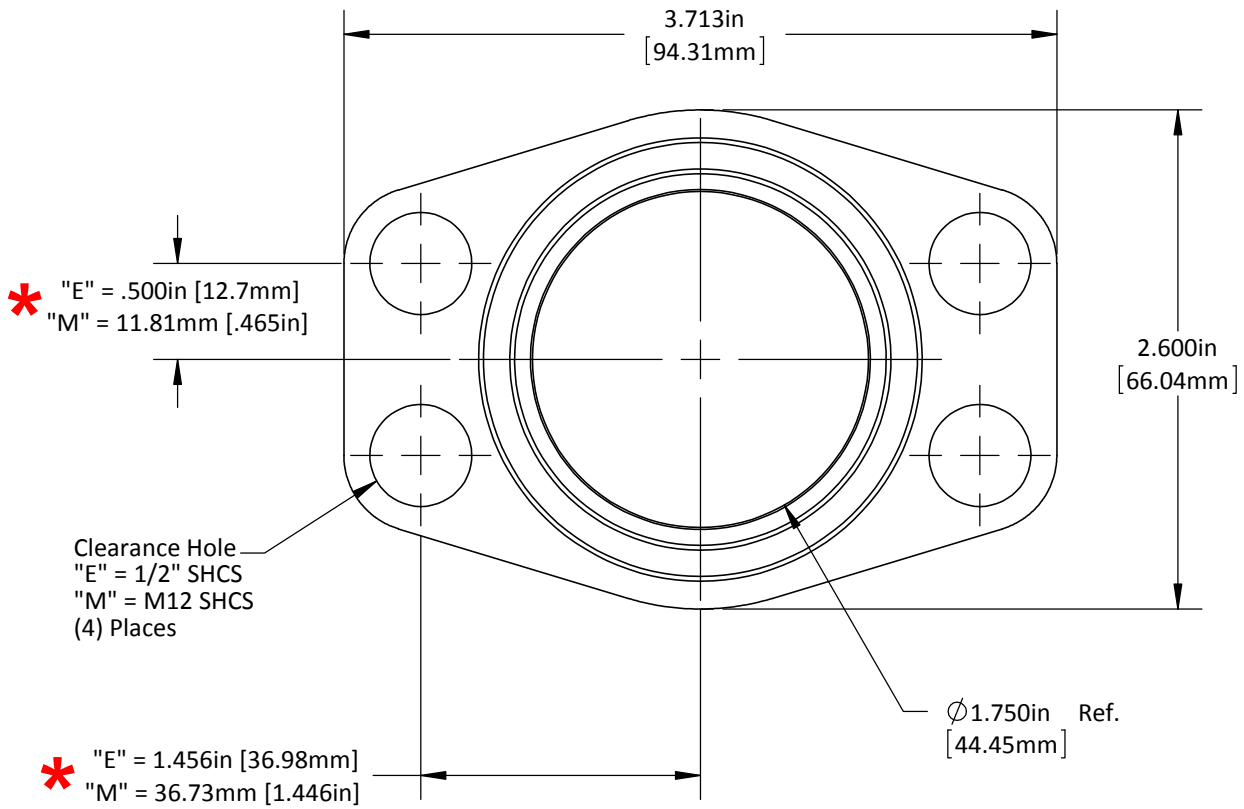


Drill & C'bore For
 "E" = 1/2" SHCS
 "M" = M12 SHCS
 (3) Places Equally
 Spaced on a
 $\varnothing 1.000\text{in}$ [25.40mm]
 Bolt Circle

DO NOT SCALE DRAWING	REV 1
This product may be covered by one or more patents or patent applications. See http://www.standardlifters.com/patents.html for details.	

Guide Pin GK180-Machining
STANDARD LIFTERS INC

***Caution: English & Metric Hole Locations are NOT the Same!**



DO NOT SCALE DRAWING

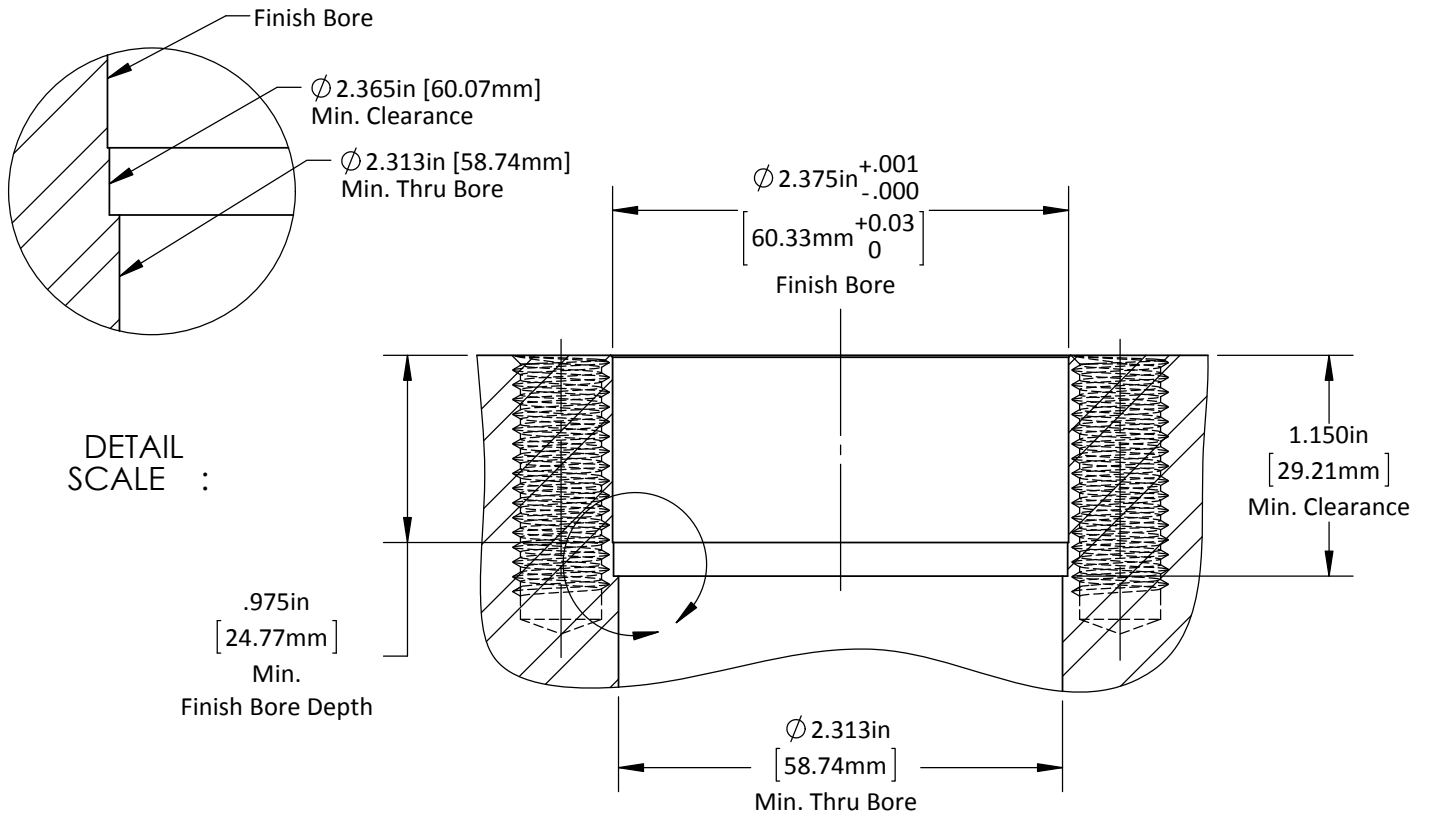
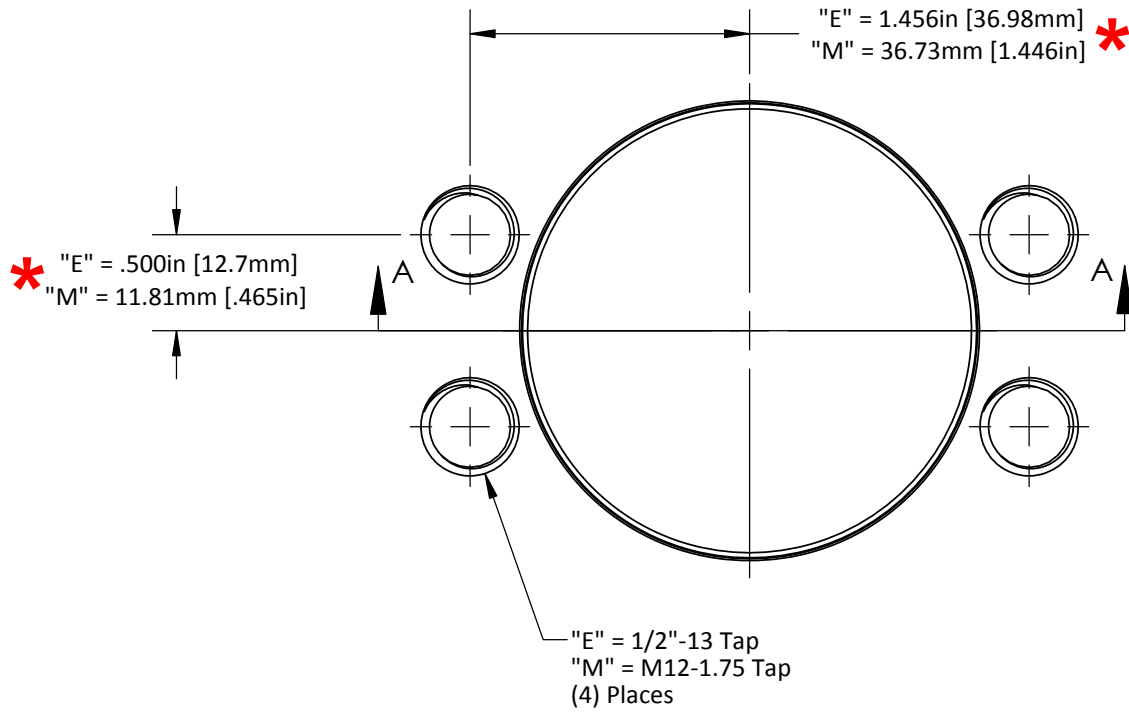
REV 1

This product may be covered by one or more patents or patent applications.
See <http://www.standardlifters.com/patents.html> for details.

Base-GK180-L2

STANDARD LIFTERS INC

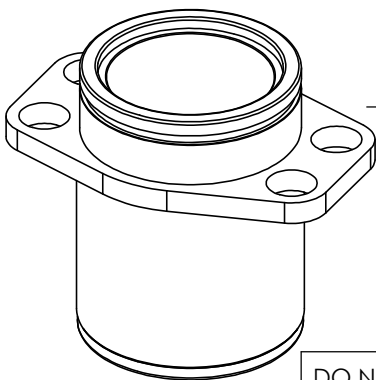
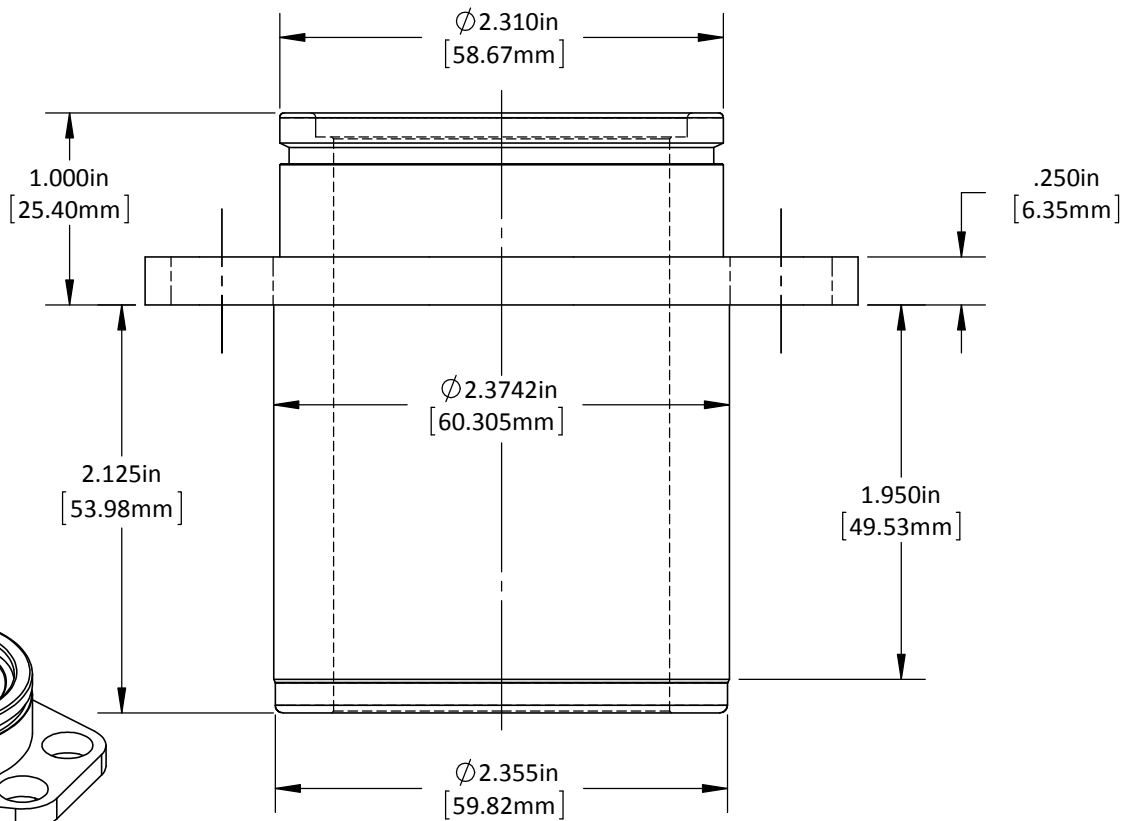
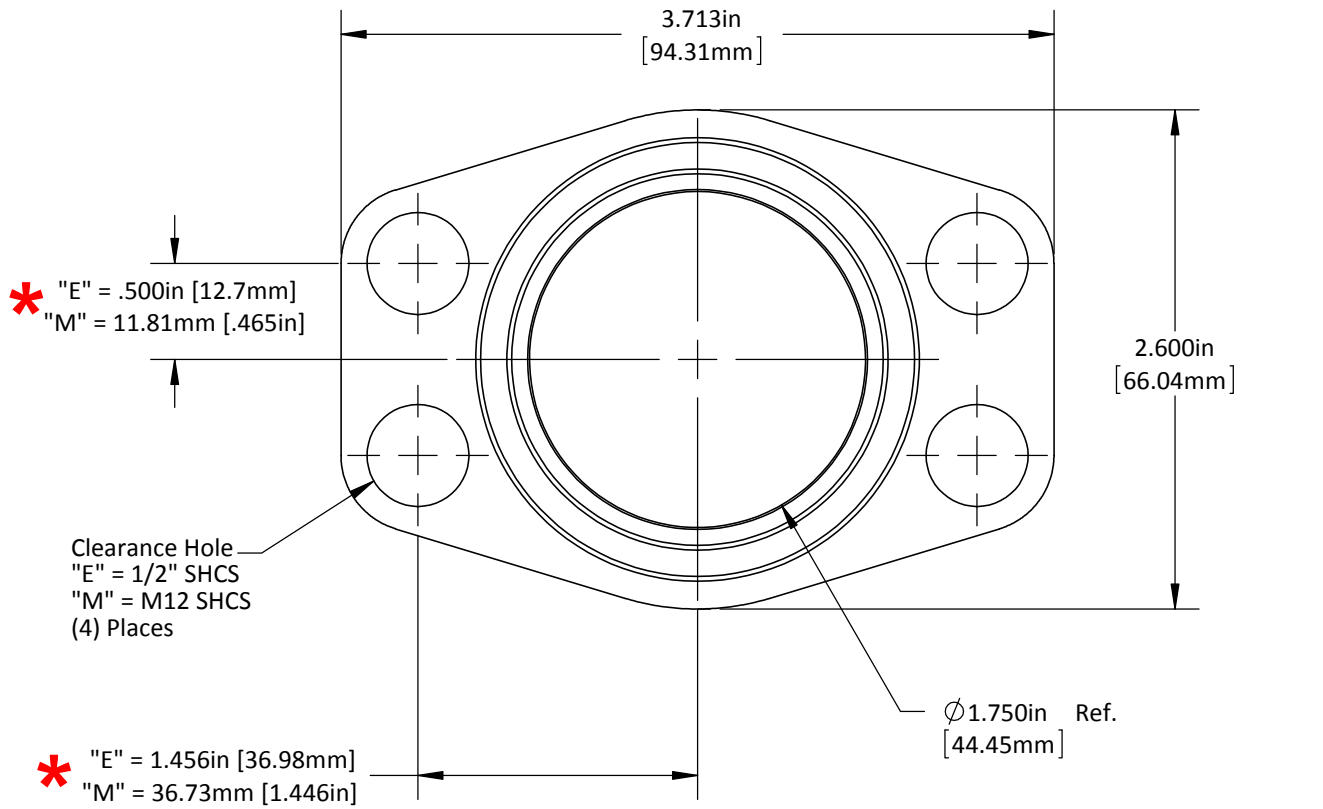
***Caution: English & Metric Hole Locations are NOT the Same!**



DO NOT SCALE DRAWING	REV 2
This product may be covered by one or more patents or patent applications. See http://www.standardlifters.com/patents.html for details.	

GK180-L2-Base Machining
STANDARD LIFTERS INC

***Caution: English & Metric Hole Locations are NOT the Same!**



DO NOT SCALE DRAWING

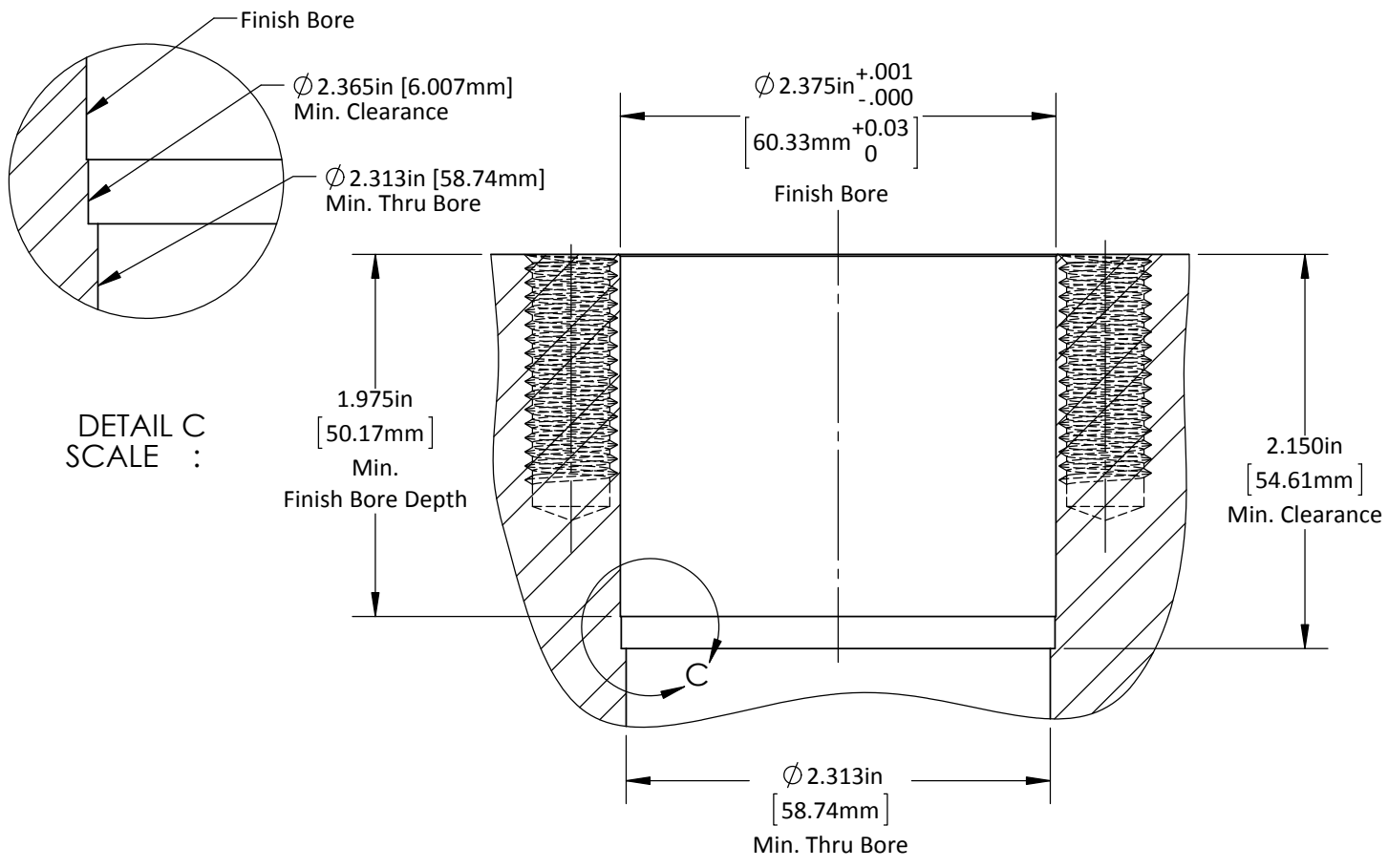
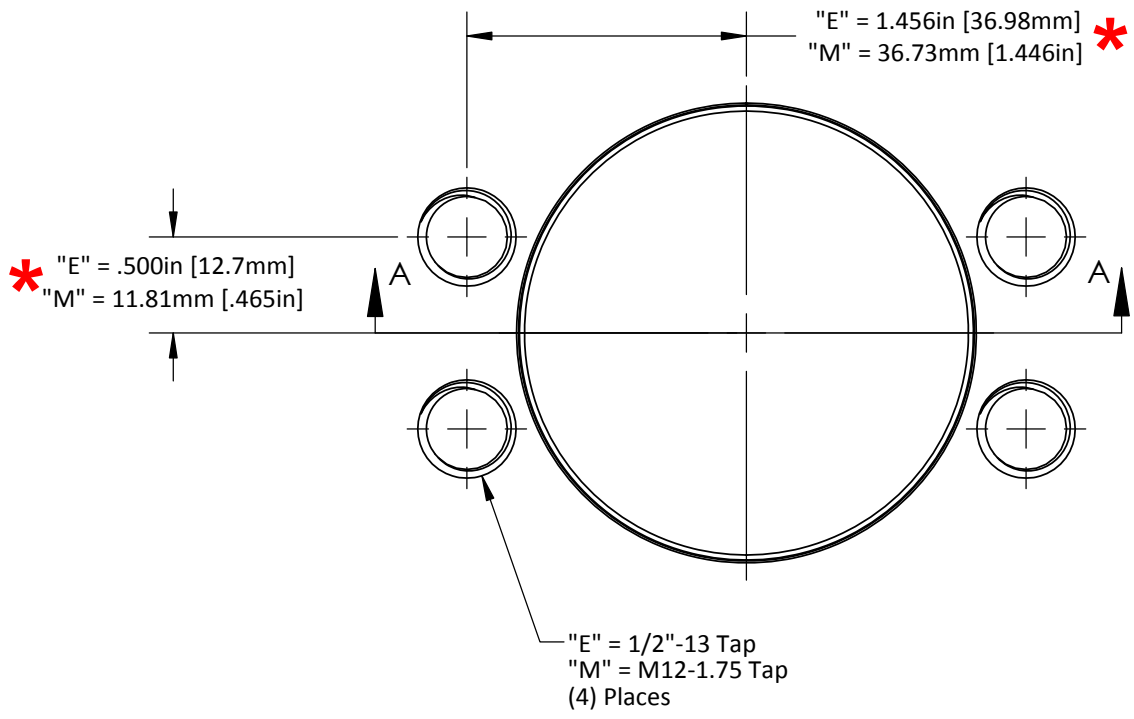
REV 1

This product may be covered by one or more patents or patent applications. See <http://www.standardlifters.com/patents.html> for details.

Base-GK180-L3

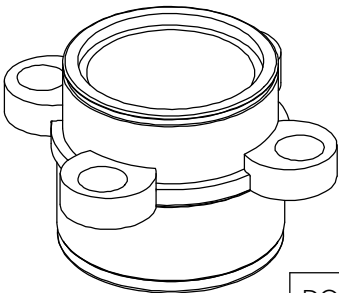
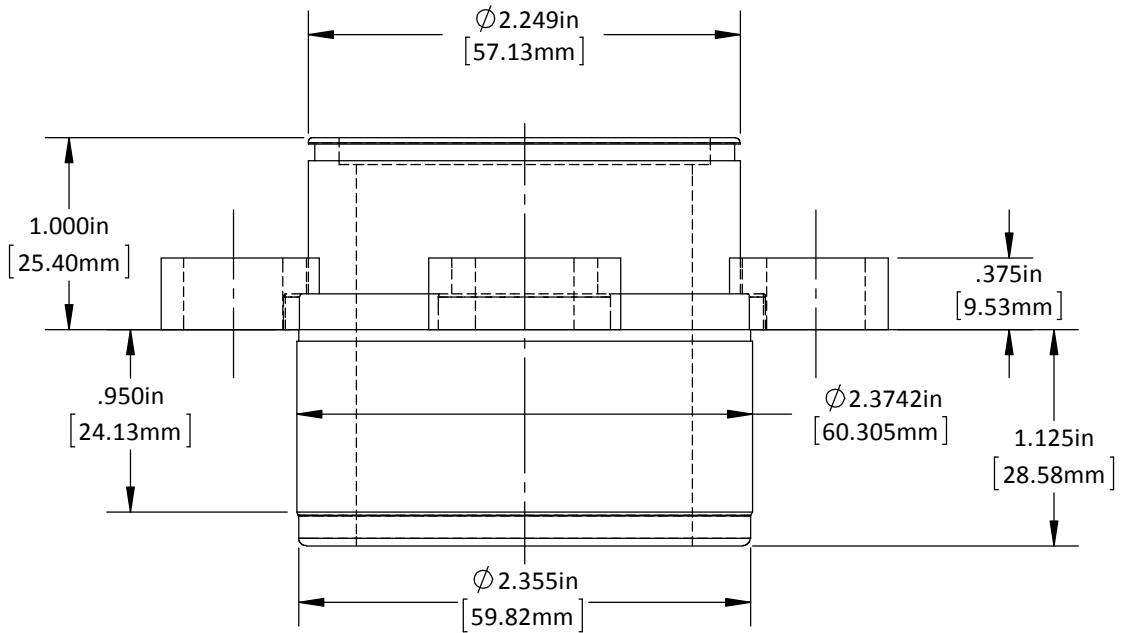
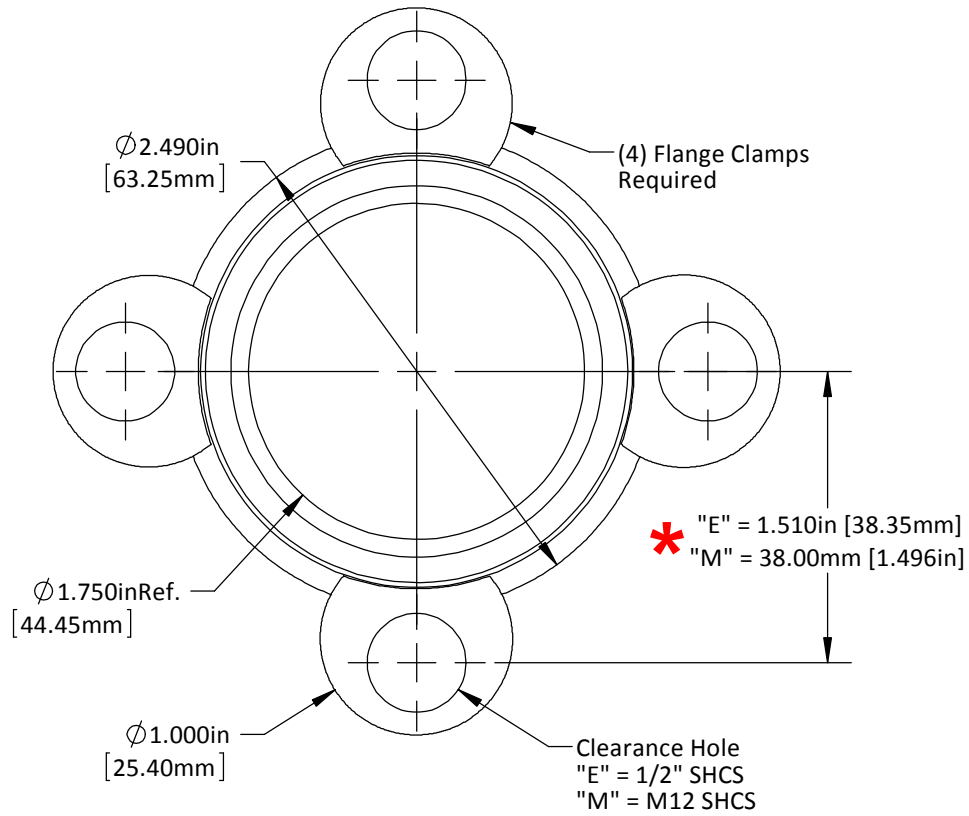
STANDARD LIFTERS INC

***Caution: English & Metric Hole Locations are NOT the Same!**



DO NOT SCALE DRAWING	REV 2
This product may be covered by one or more patents or patent applications. See http://www.standardlifters.com/patents.html for details.	

GK180-L3-Base Machining
STANDARD LIFTERS INC



*** Caution: English & Metric Hole Locations are NOT the Same!**

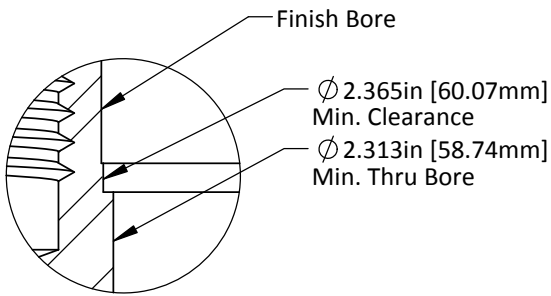
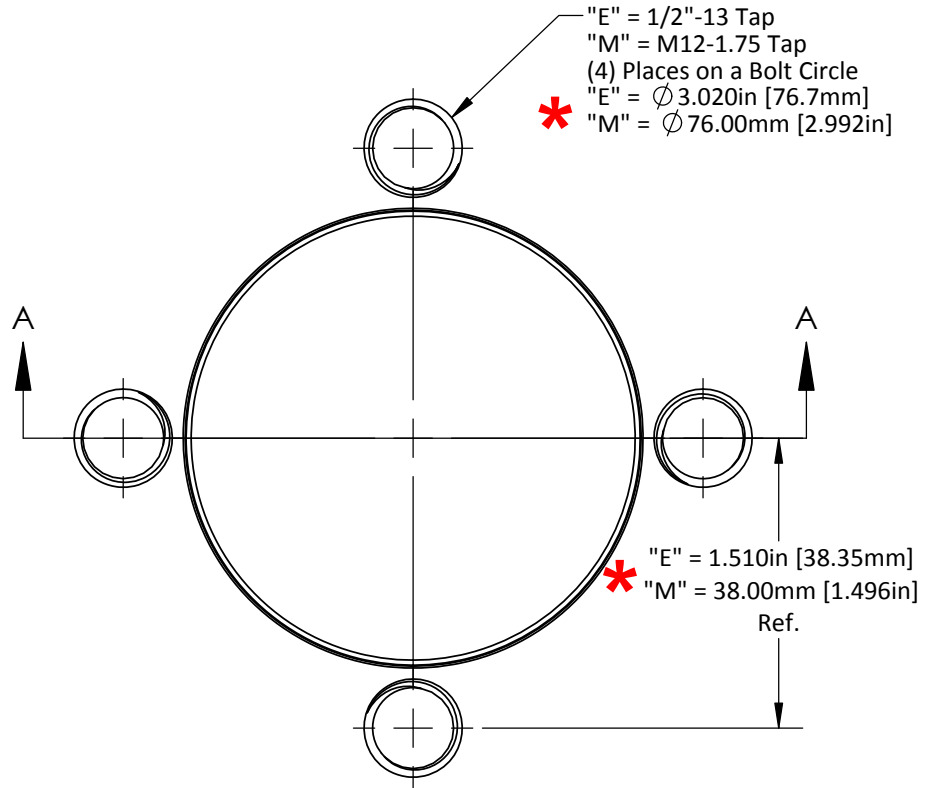
DO NOT SCALE DRAWING | REV 2

This product may be covered by one or more patents or patent applications.
 See <http://www.standardlifters.com/patents.html> for details.

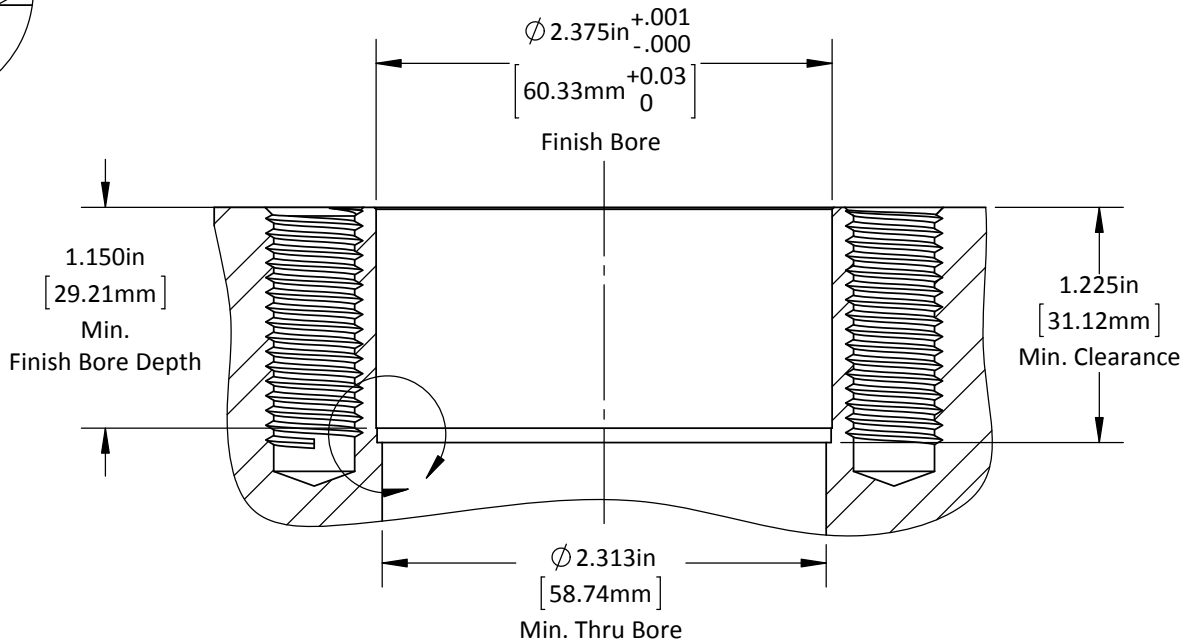
Base-GK180-H2

STANDARD LIFTERS INC

*** Caution: English & Metric Hole Locations are NOT the Same!**

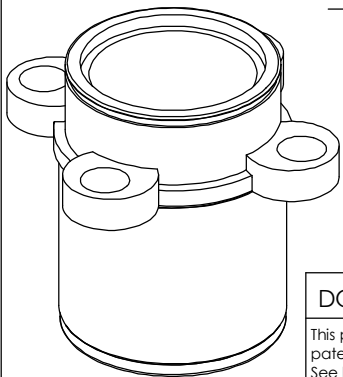
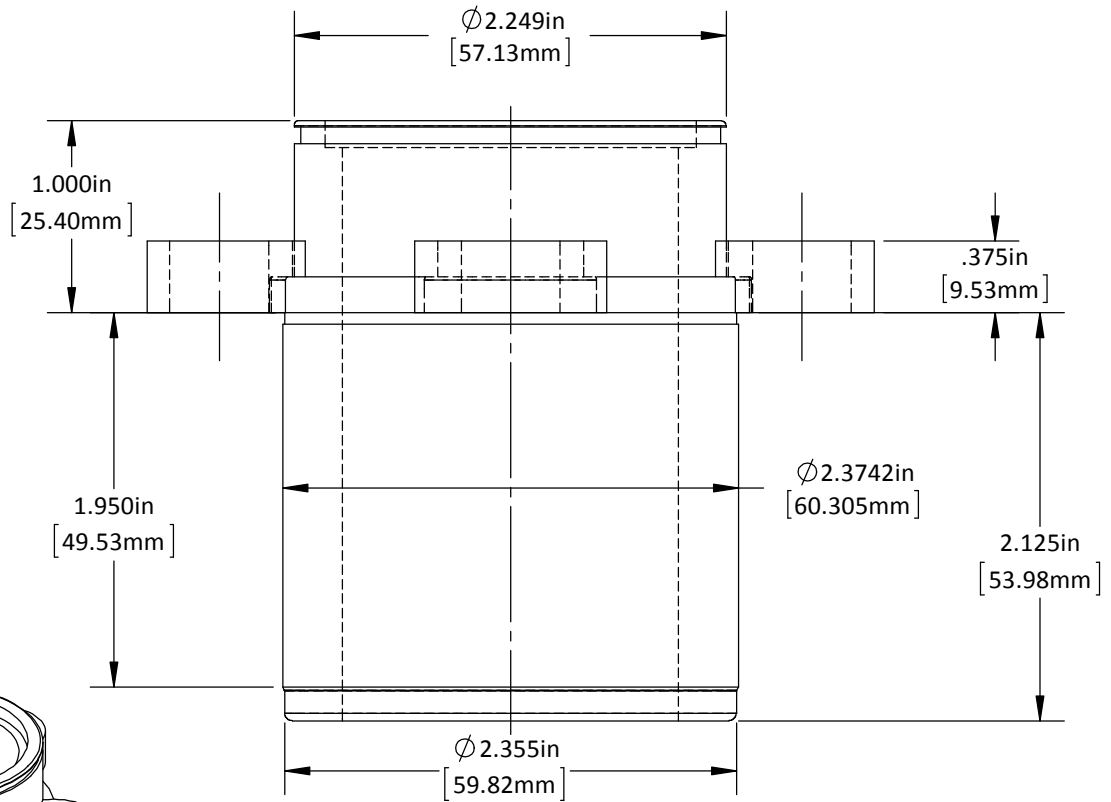
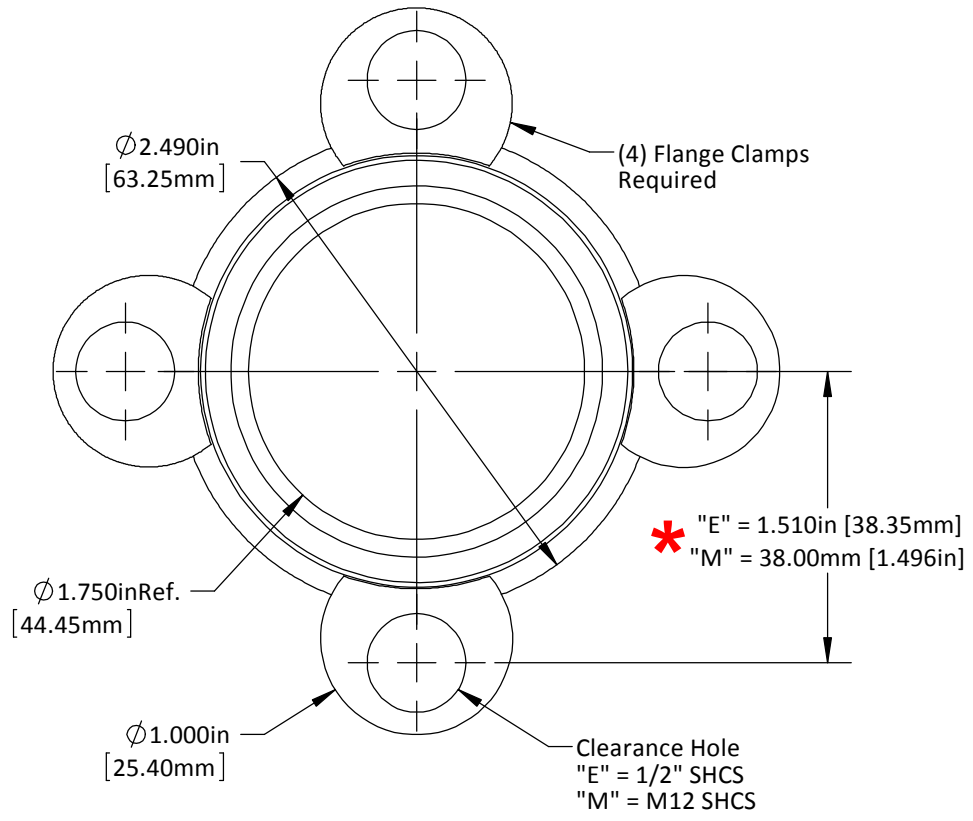


DETAIL SCALE :



DO NOT SCALE DRAWING	REV 2
This product may be covered by one or more patents or patent applications. See http://www.standardlifters.com/patents.html for details.	

GK180-H2-Base Machining
STANDARD LIFTERS INC



***Caution: English & Metric Hole Locations are NOT the Same!**

DO NOT SCALE DRAWING | REV 2

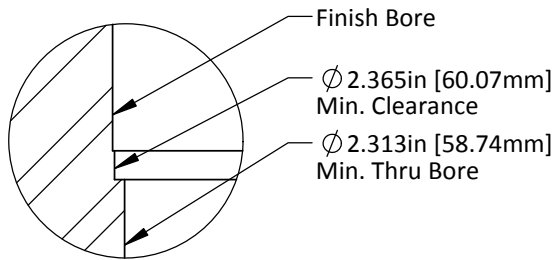
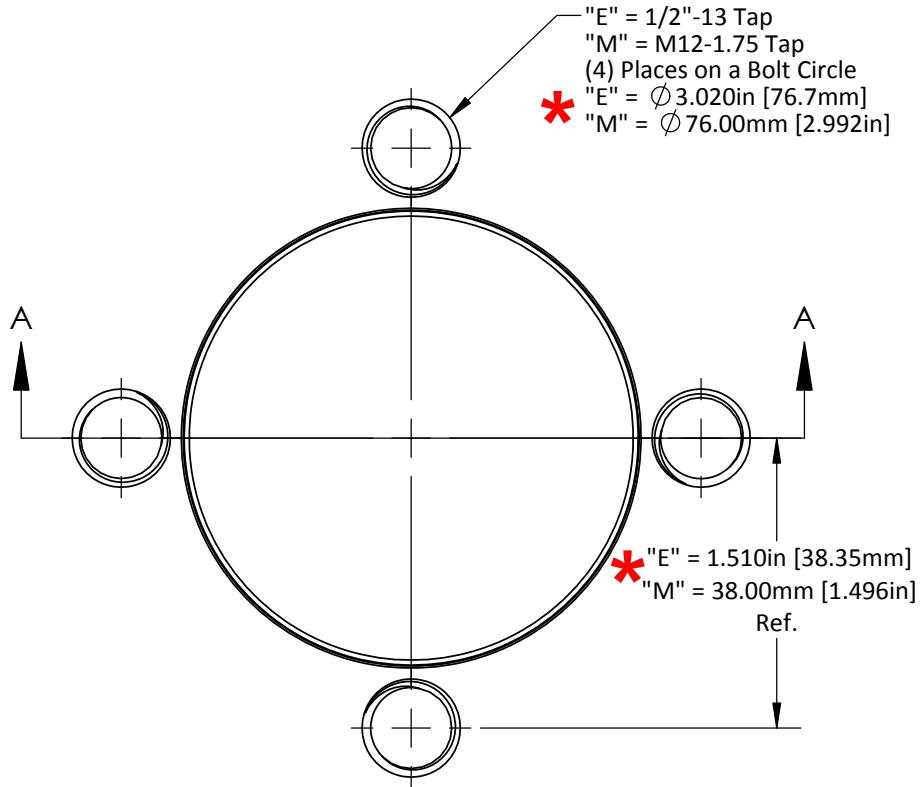
This product may be covered by one or more patents or patent applications.
 See <http://www.standardlifters.com/patents.html> for details.

Base-GK180-H3

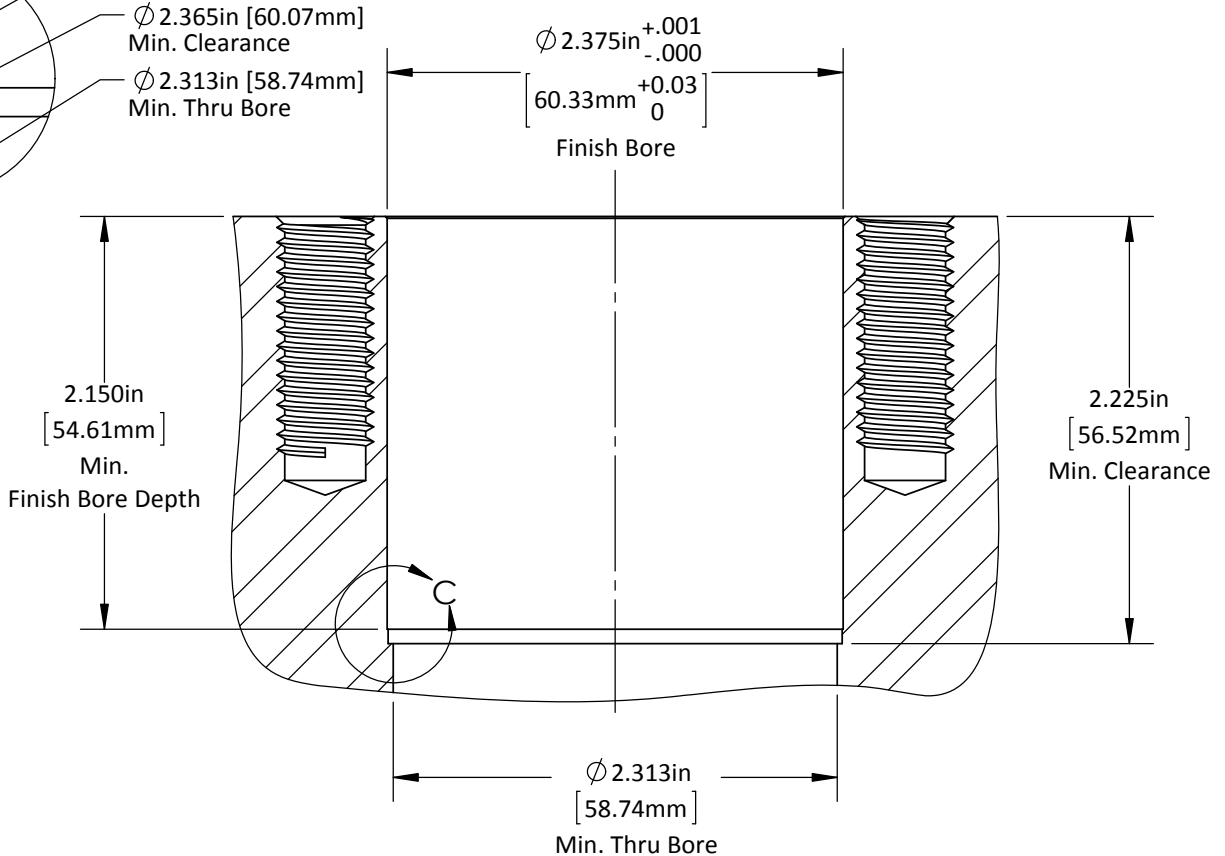
STANDARD LIFTERS INC

*** Caution: English & Metric Hole Locations are NOT the Same!**

"E" = 1/2"-13 Tap
 "M" = M12-1.75 Tap
 (4) Places on a Bolt Circle
 * "E" = \varnothing 3.020in [76.7mm]
 "M" = \varnothing 76.00mm [2.992in]

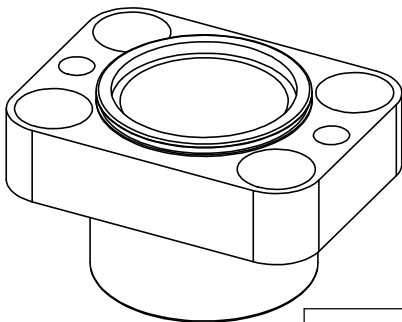
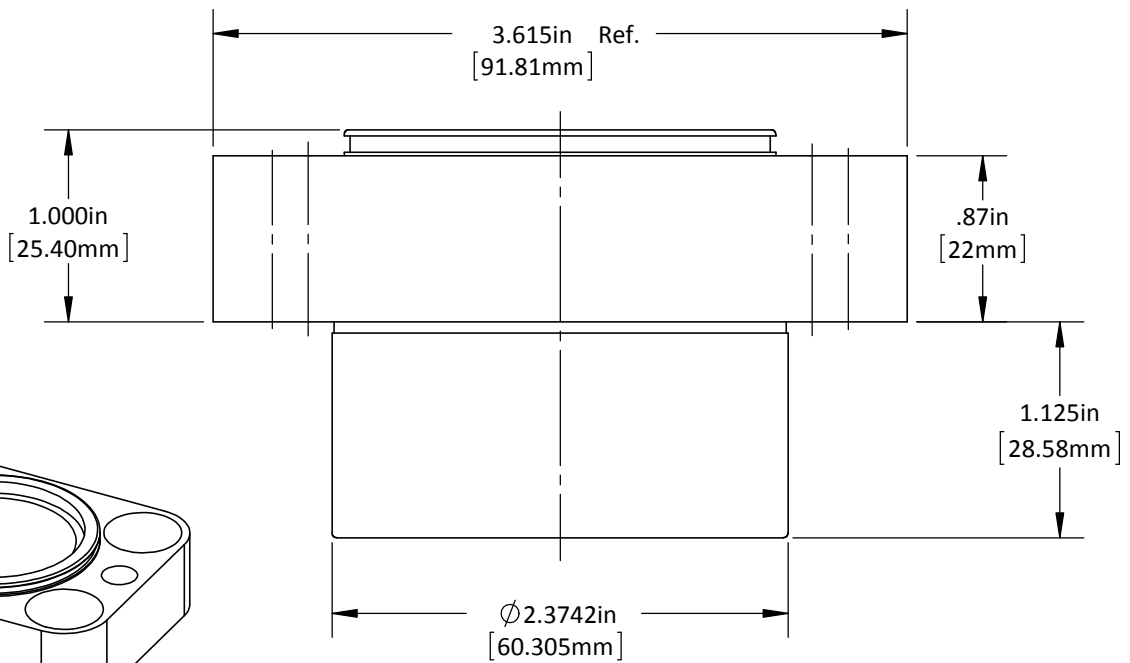
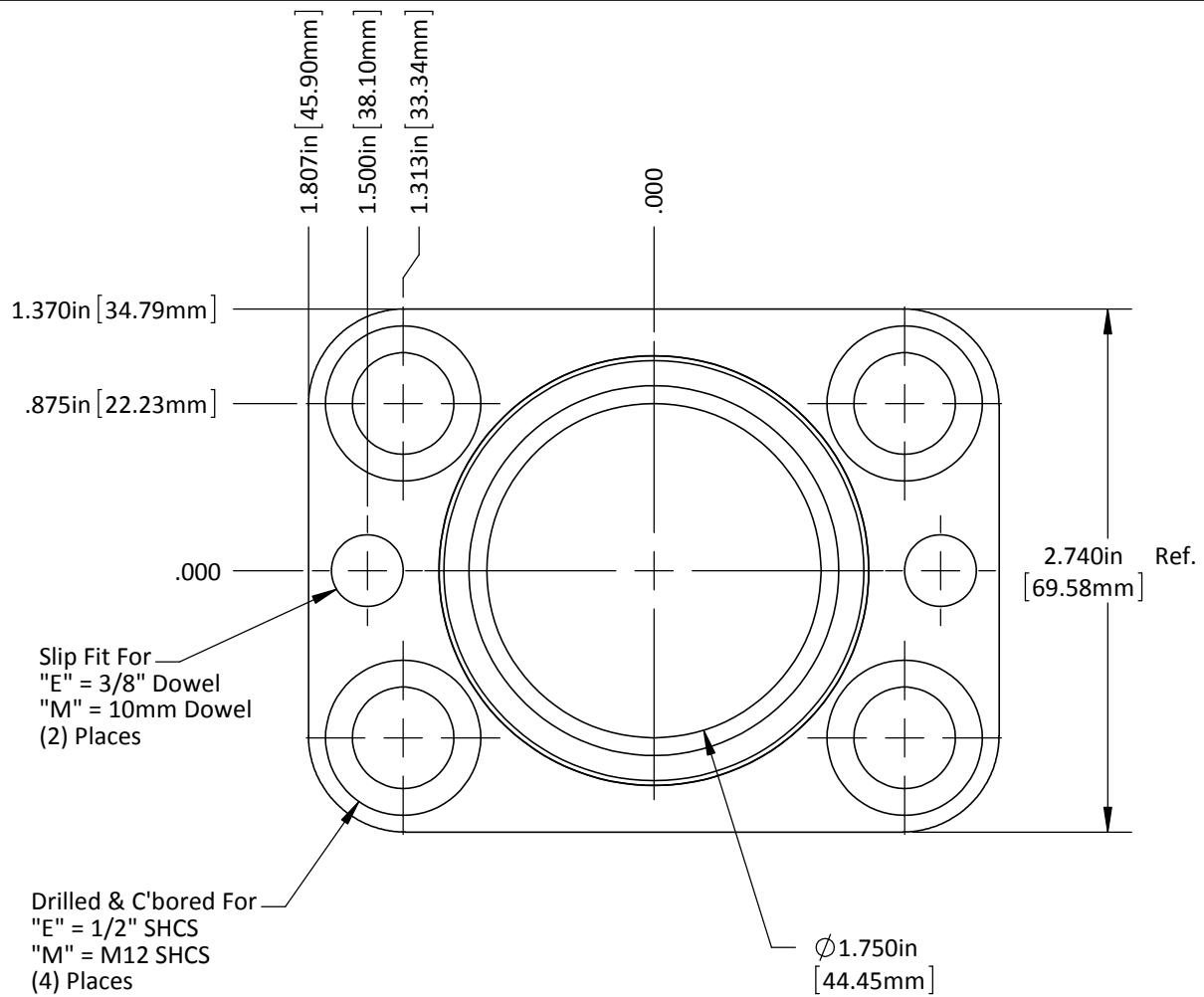


DETAIL C
 SCALE :



DO NOT SCALE DRAWING	REV 2
This product may be covered by one or more patents or patent applications. See http://www.standardlifters.com/patents.html for details.	

GK180-H3-Base Machining
STANDARD LIFTERS INC

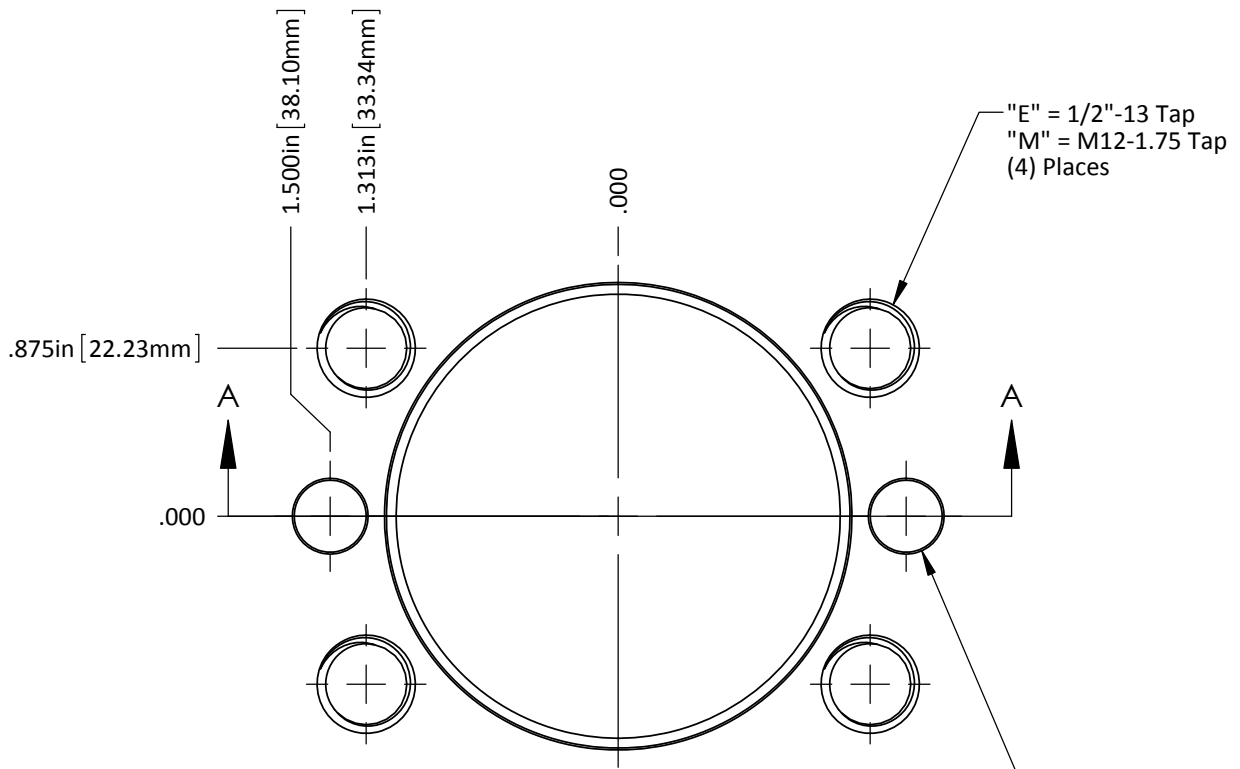


DO NOT SCALE DRAWING | REV 1

This product may be covered by one or more patents or patent applications.
 See <http://www.standardlifters.com/patents.html> for details.

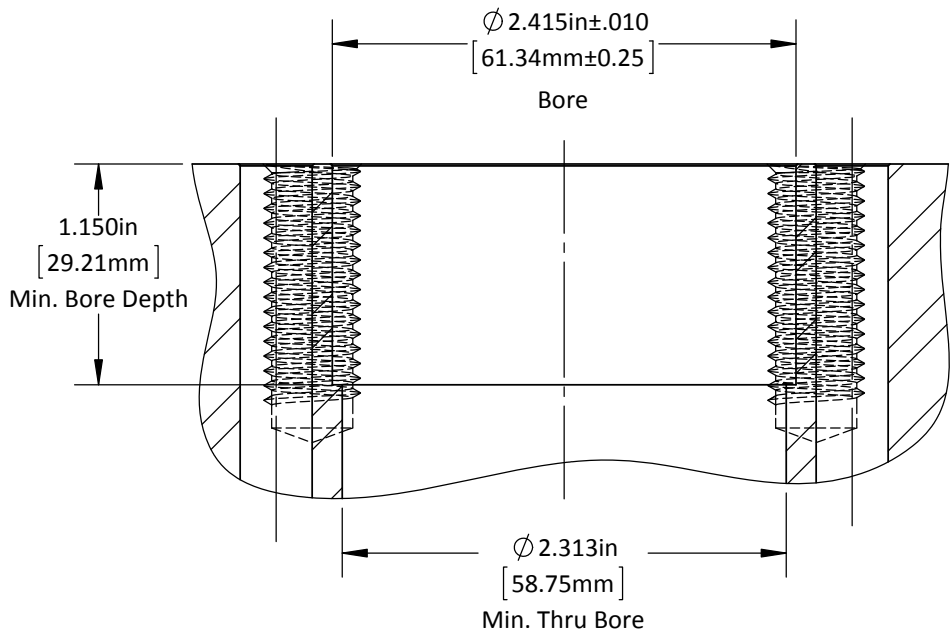
Base-GK180-D2

STANDARD LIFTERS INC



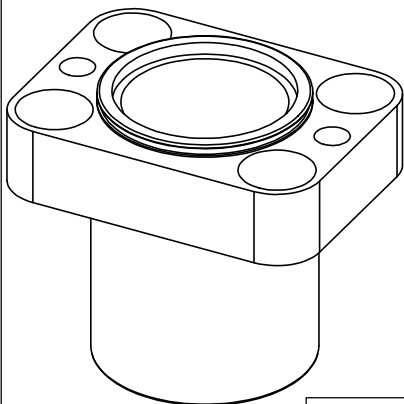
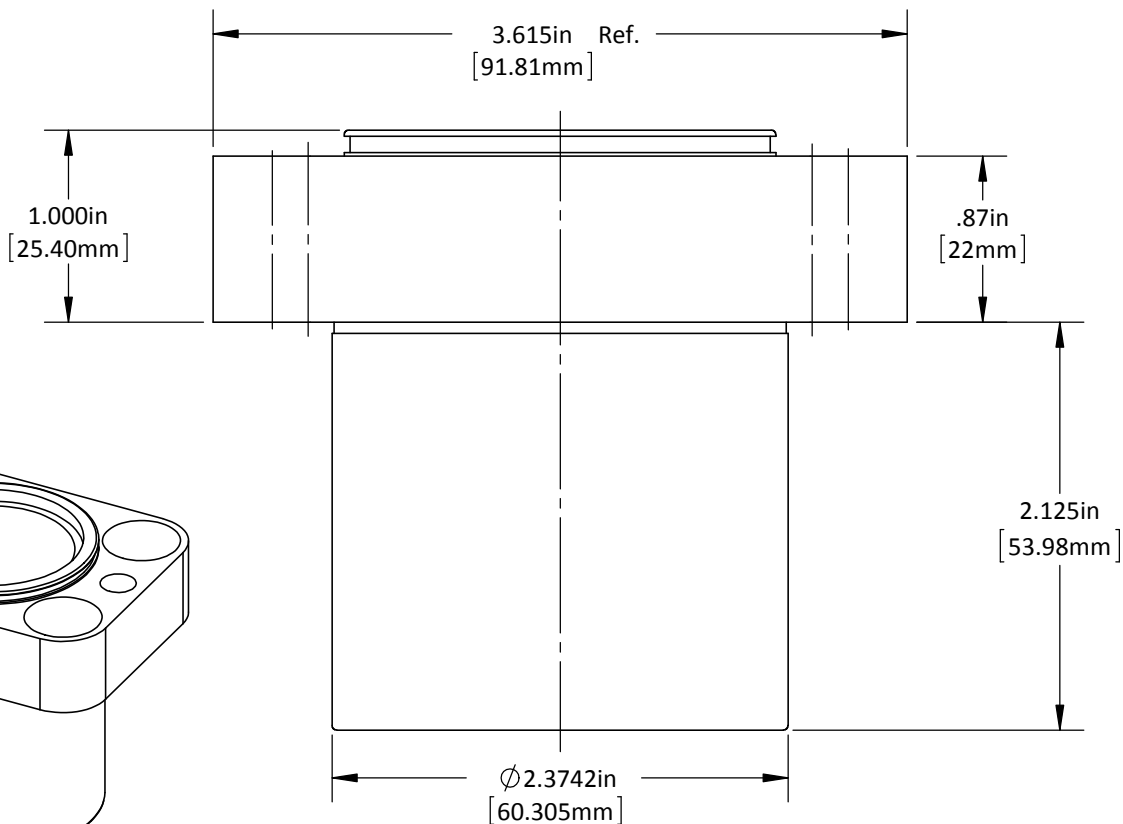
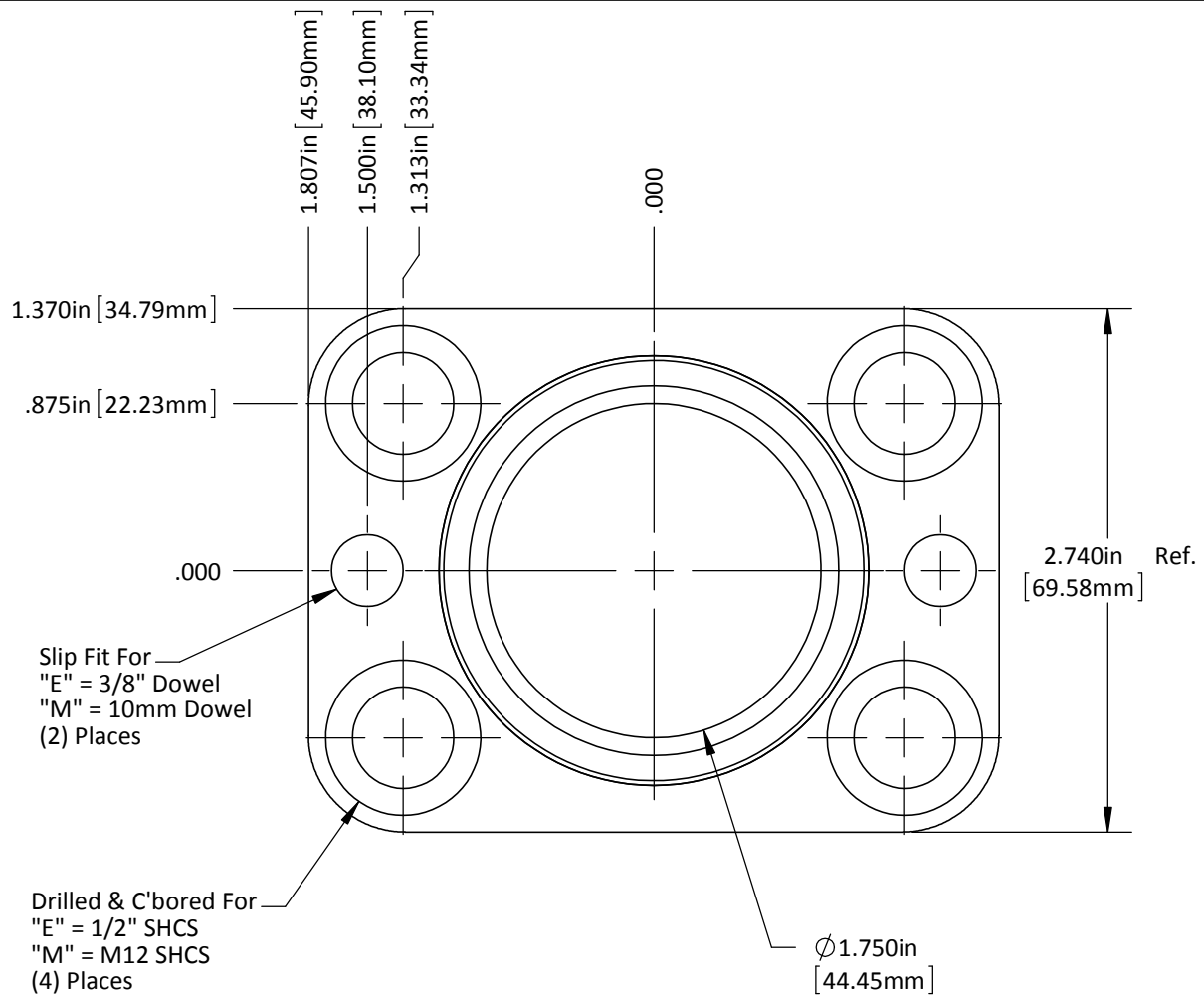
"E" = 1/2"-13 Tap
 "M" = M12-1.75 Tap
 (4) Places

Drill & Ream PF for Dowel
 "E" = $\varnothing .375\text{in}$
 "M" = $\varnothing 10.00\text{mm}$
 (2) Places



DO NOT SCALE DRAWING | REV 2
 This product may be covered by one or more patents or patent applications.
 See <http://www.standardlifters.com/patents.html> for details.

GK180-D2-Base Machining
STANDARD LIFTERS INC

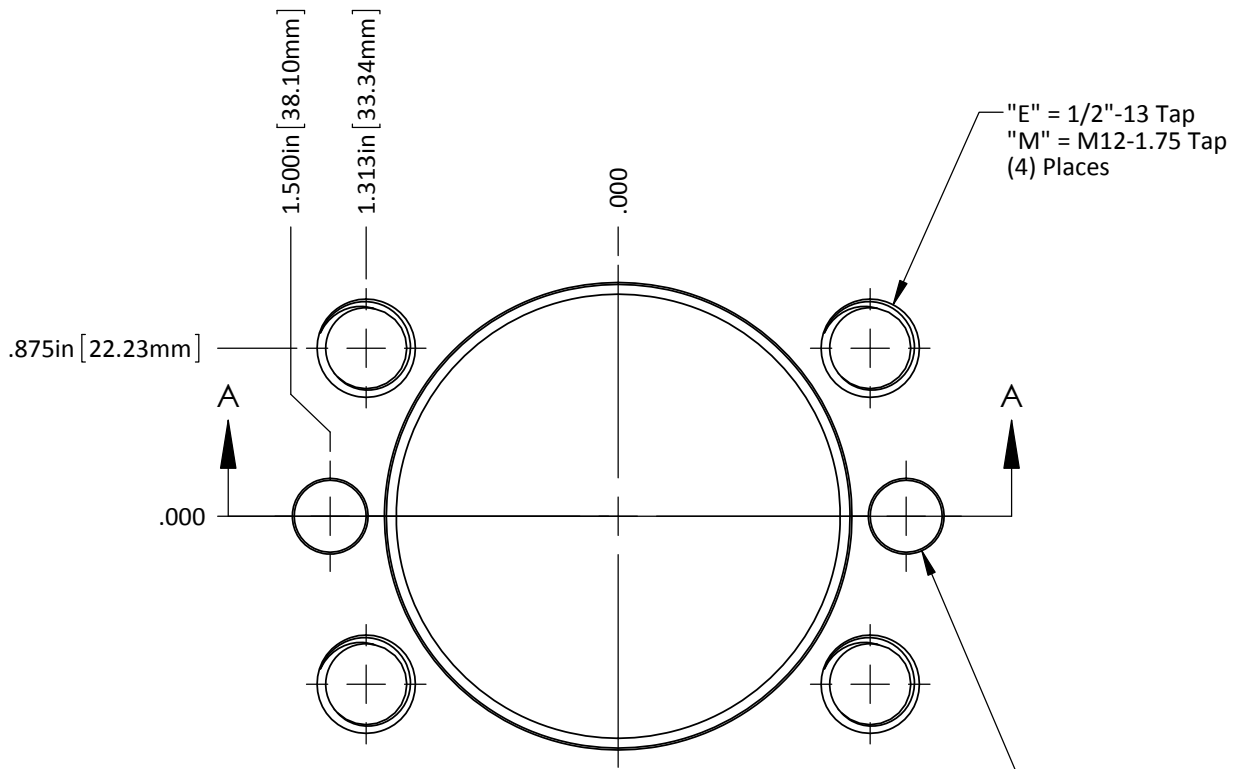


DO NOT SCALE DRAWING REV 1

This product may be covered by one or more patents or patent applications.
 See <http://www.standardlifters.com/patents.html> for details.

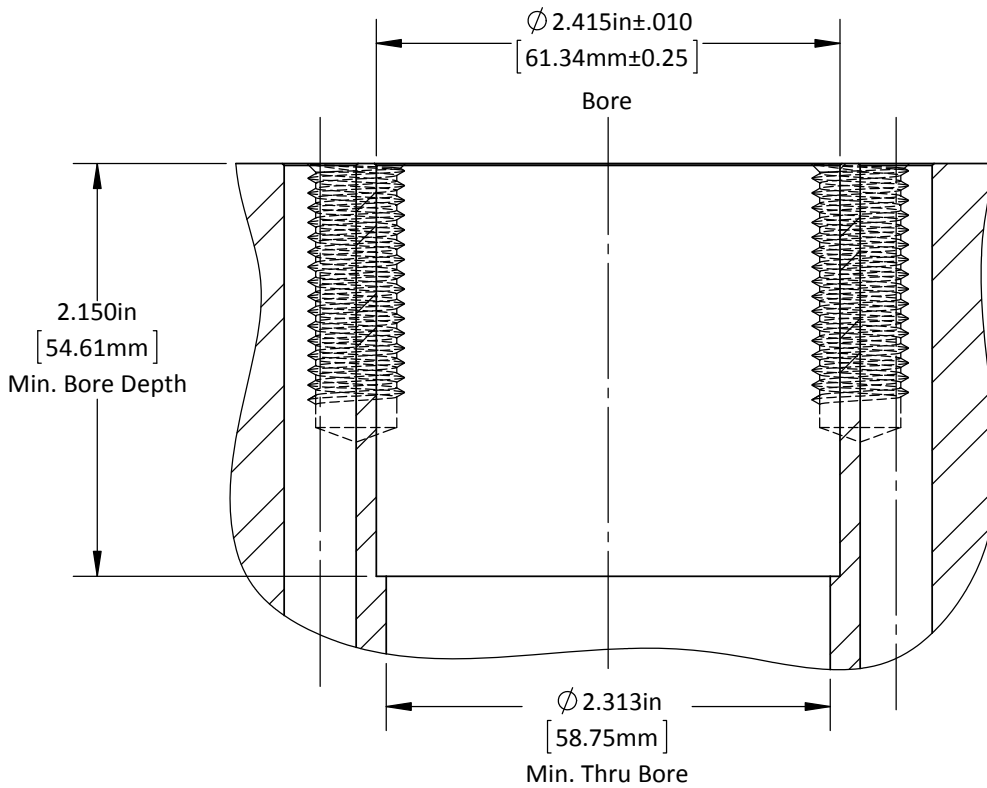
Base-GK180-D3

STANDARD LIFTERS INC



"E" = 1/2"-13 Tap
"M" = M12-1.75 Tap
(4) Places

Drill & Ream PF for Dowel
"E" = $\phi .375$ in
"M" = $\phi 10.00$ mm
(2) Places



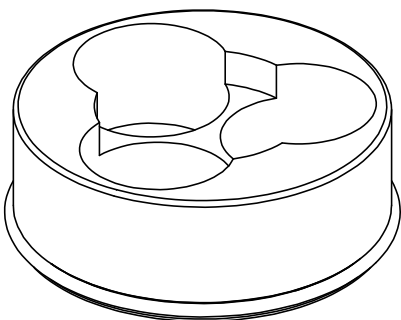
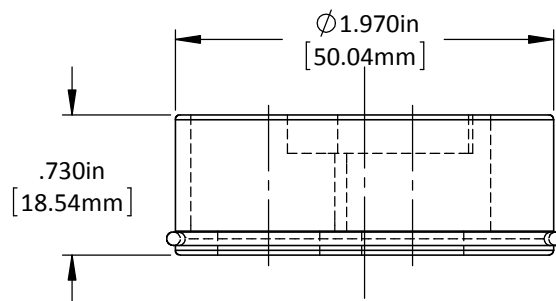
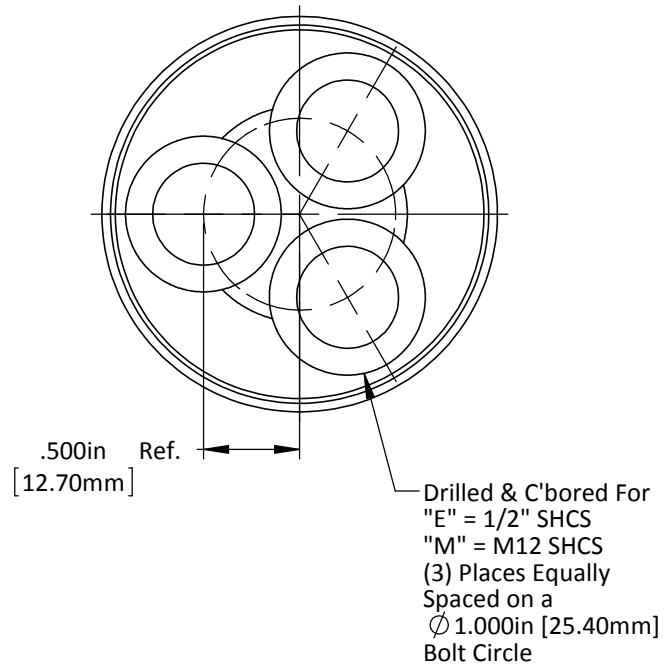
DO NOT SCALE DRAWING

REV 2

This product may be covered by one or more patents or patent applications.
See <http://www.standardlifters.com/patents.html> for details.

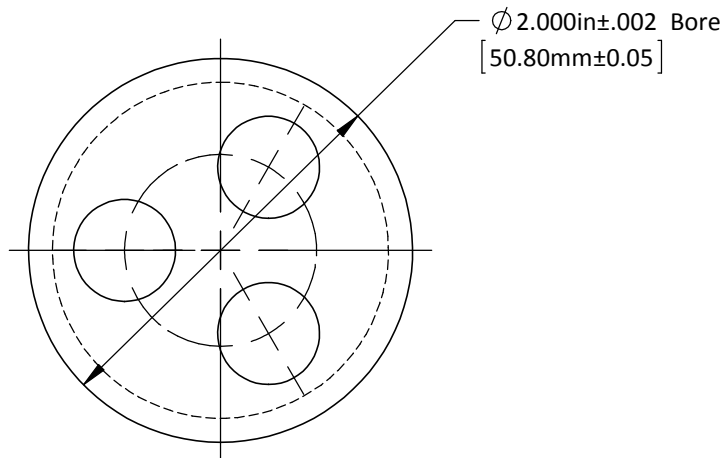
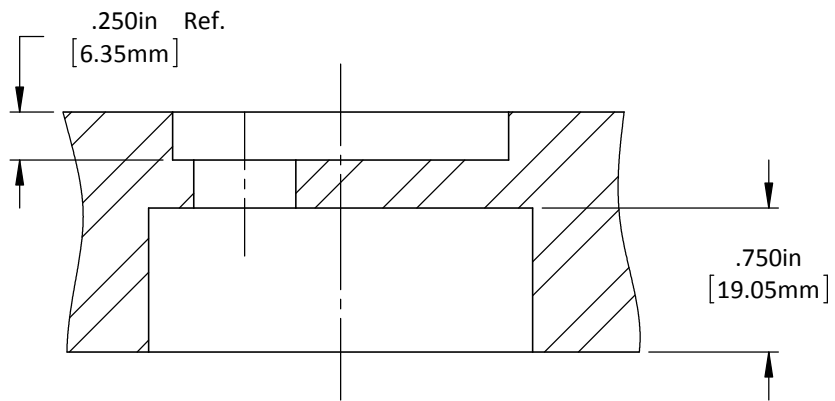
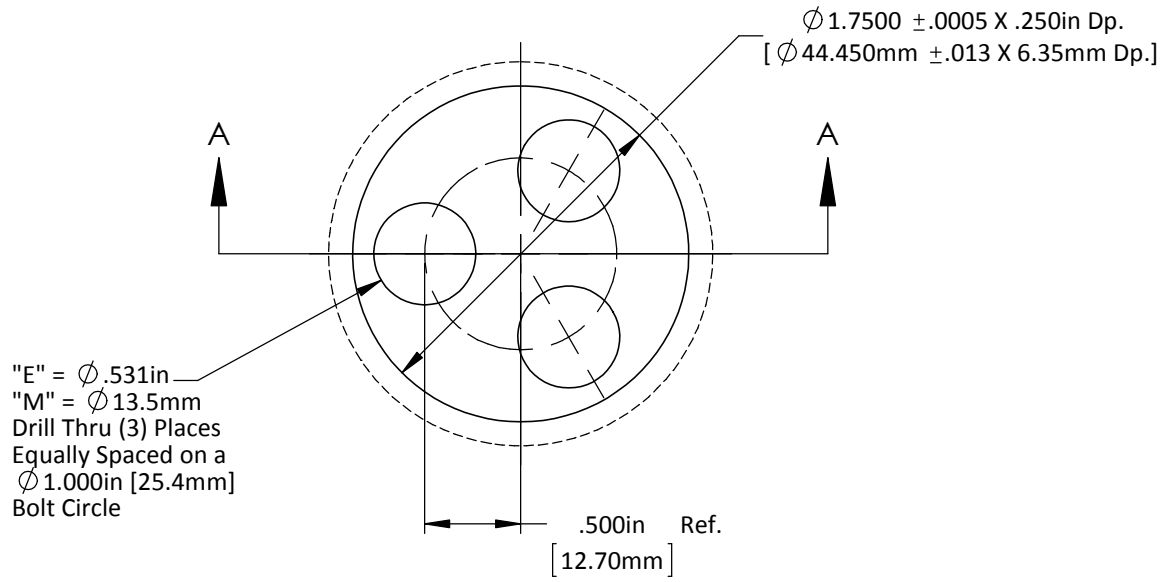
GK180-D3-Base Machining

STANDARD LIFTERS INC



DO NOT SCALE DRAWING	REV 1
This product may be covered by one or more patents or patent applications. See http://www.standardlifters.com/patents.html for details.	

Locking Collar GK180 STANDARD LIFTERS INC
--



DO NOT SCALE DRAWING	REV 1
This product may be covered by one or more patents or patent applications. See http://www.standardlifters.com/patents.html for details.	

Locking Collar GK180-Machining
STANDARD LIFTERS INC