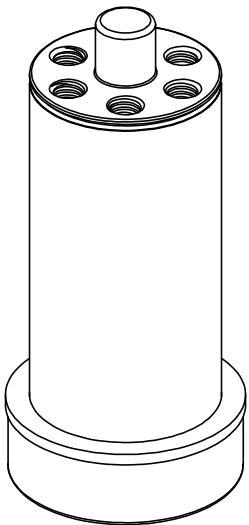
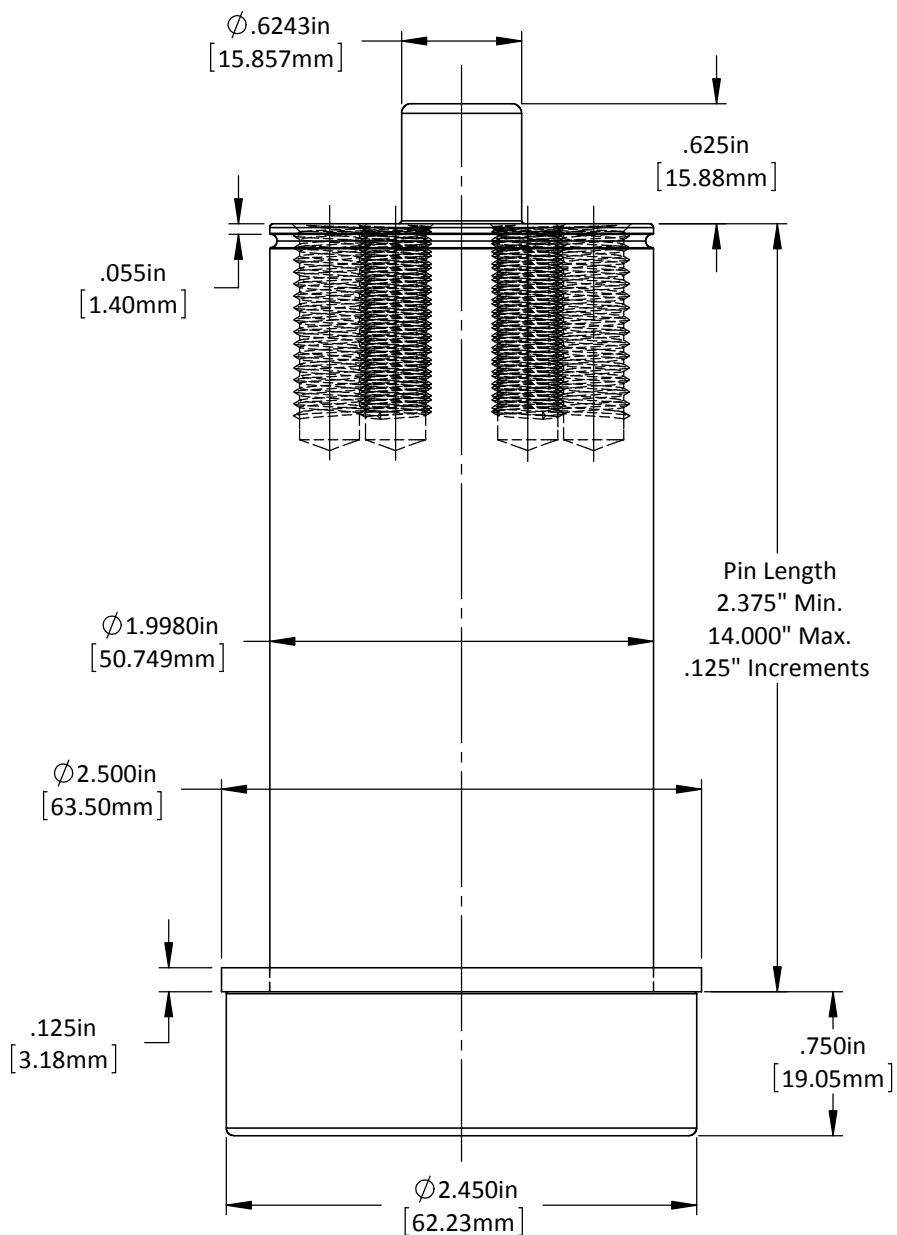


"E" = 3/8-16 Tap
 1.00" Dp.
 "M" = M10-1.5 Tap
 25mm Dp.
 (6) Places Equally Spaced
 On a ϕ 1.376" [34.95mm]
 Bolt Circle

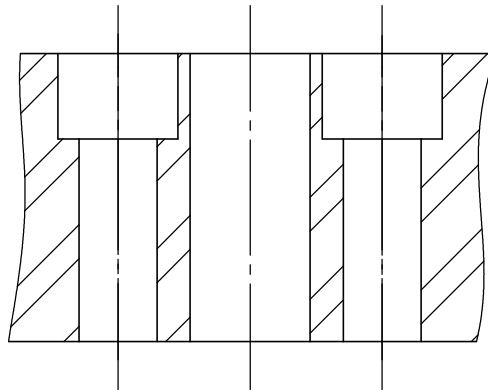
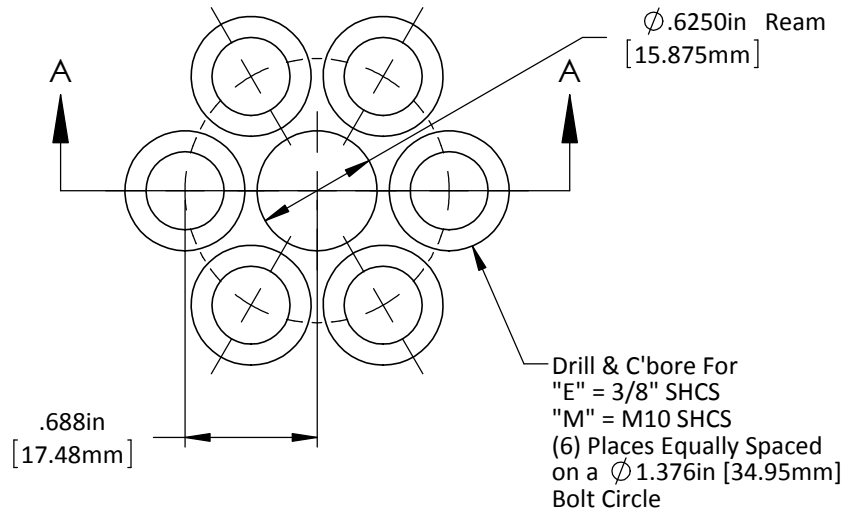


DO NOT SCALE DRAWING REV 1

This product may be covered by one or more patents or patent applications.
 See <http://www.standardlifters.com/patents.html> for details.

Guide Pin GK200

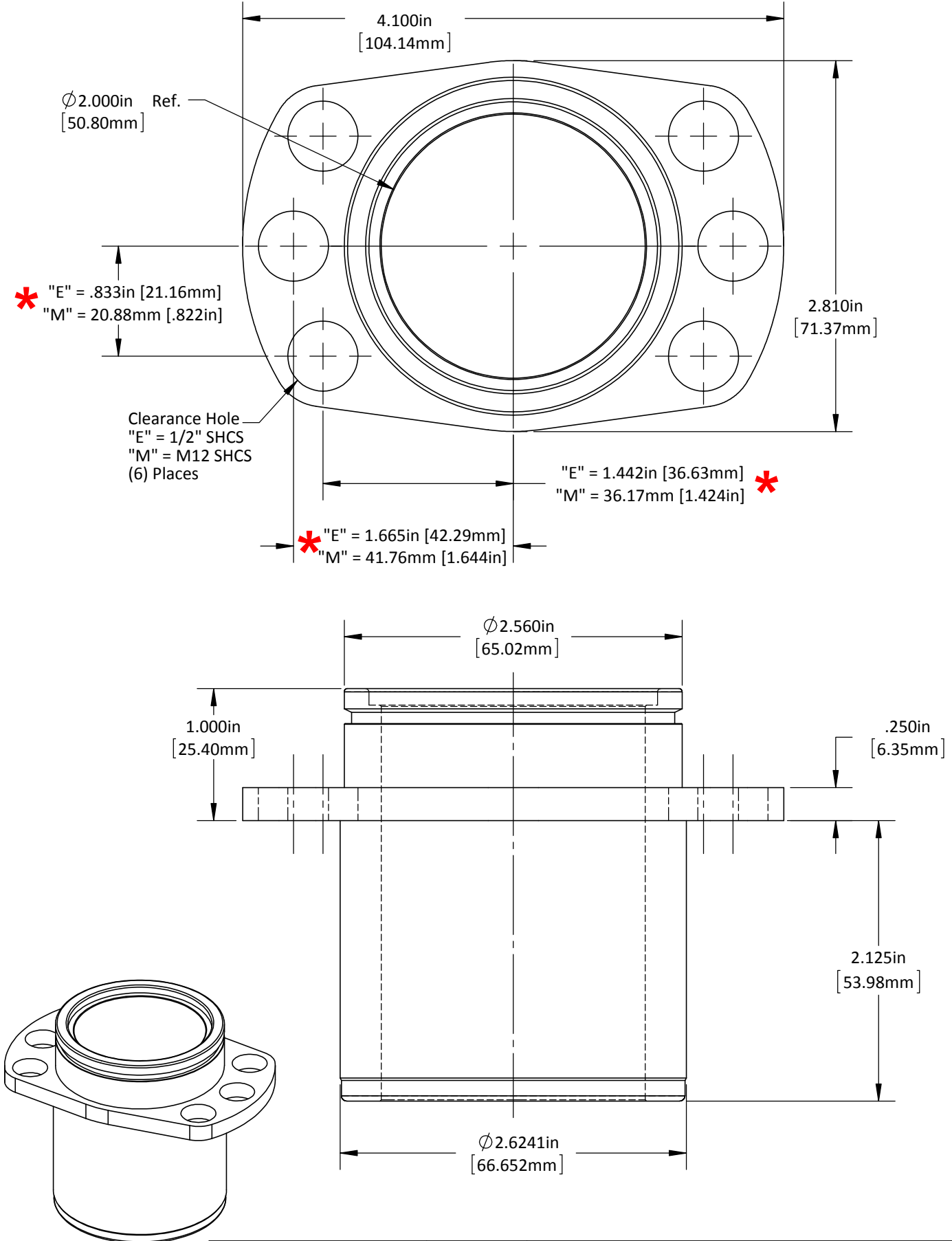
STANDARD LIFTERS INC



DO NOT SCALE DRAWING	REV 1
This product may be covered by one or more patents or patent applications. See http://www.standardlifters.com/patents.html for details.	

Guide Pin GK200-Machining
STANDARD LIFTERS INC

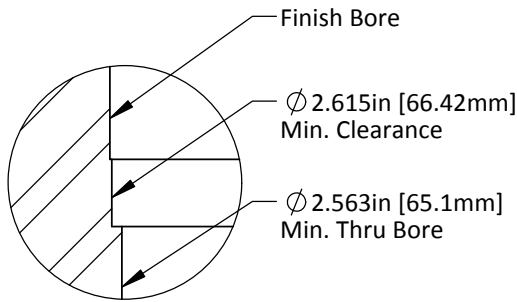
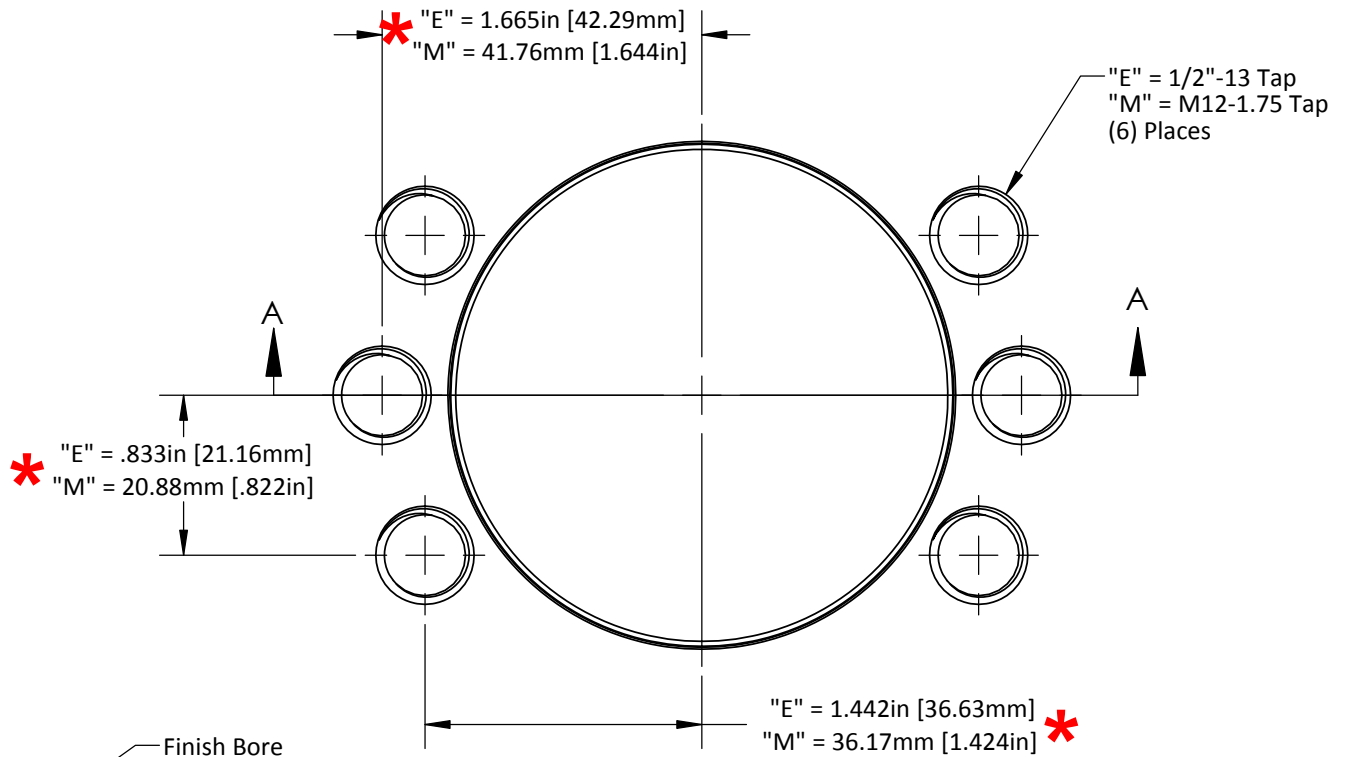
***Caution: English & Metric Hole Locations are NOT the Same!**



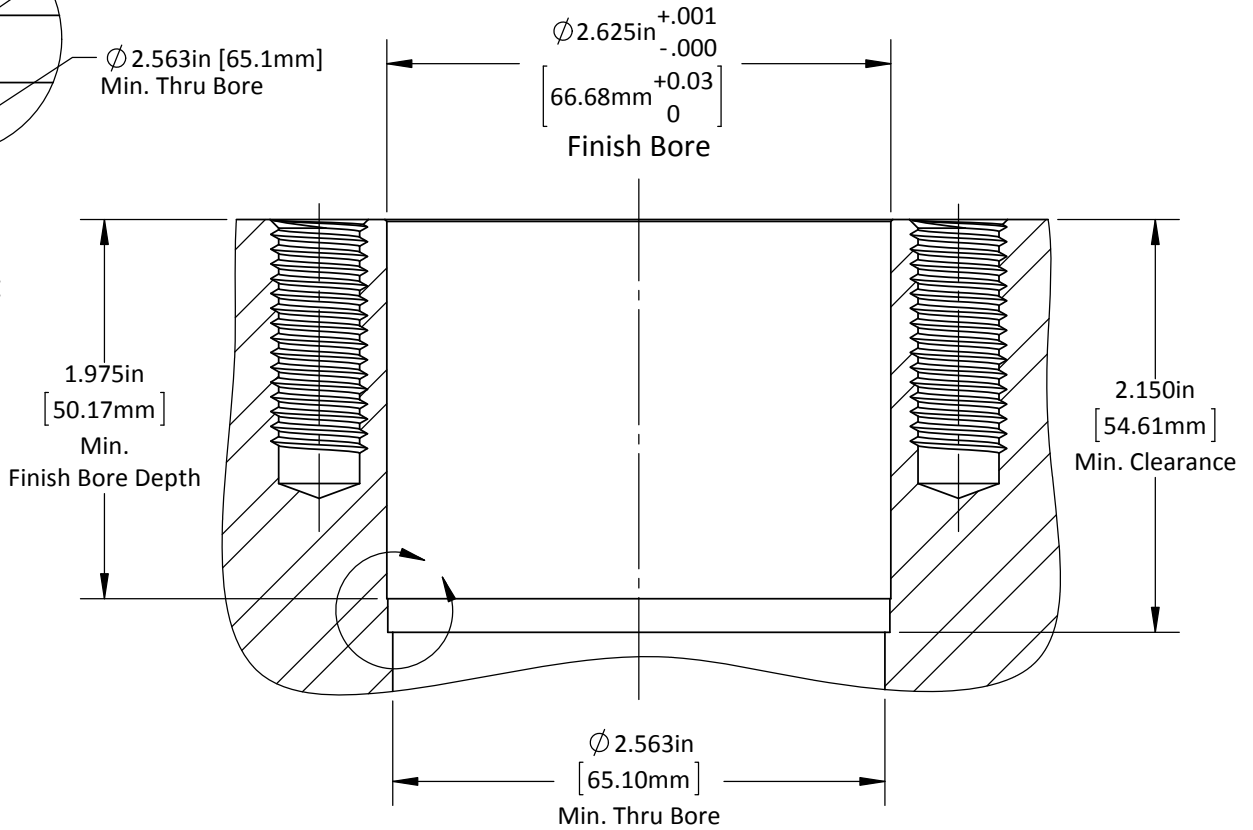
DO NOT SCALE DRAWING | REV 1
 This product may be covered by one or more patents or patent applications.
 See <http://www.standardlifters.com/patents.html> for details.

Base-GK200-L3
STANDARD LIFTERS INC

***Caution: English & Metric Hole Locations are NOT the Same!**



DETAIL SCALE :



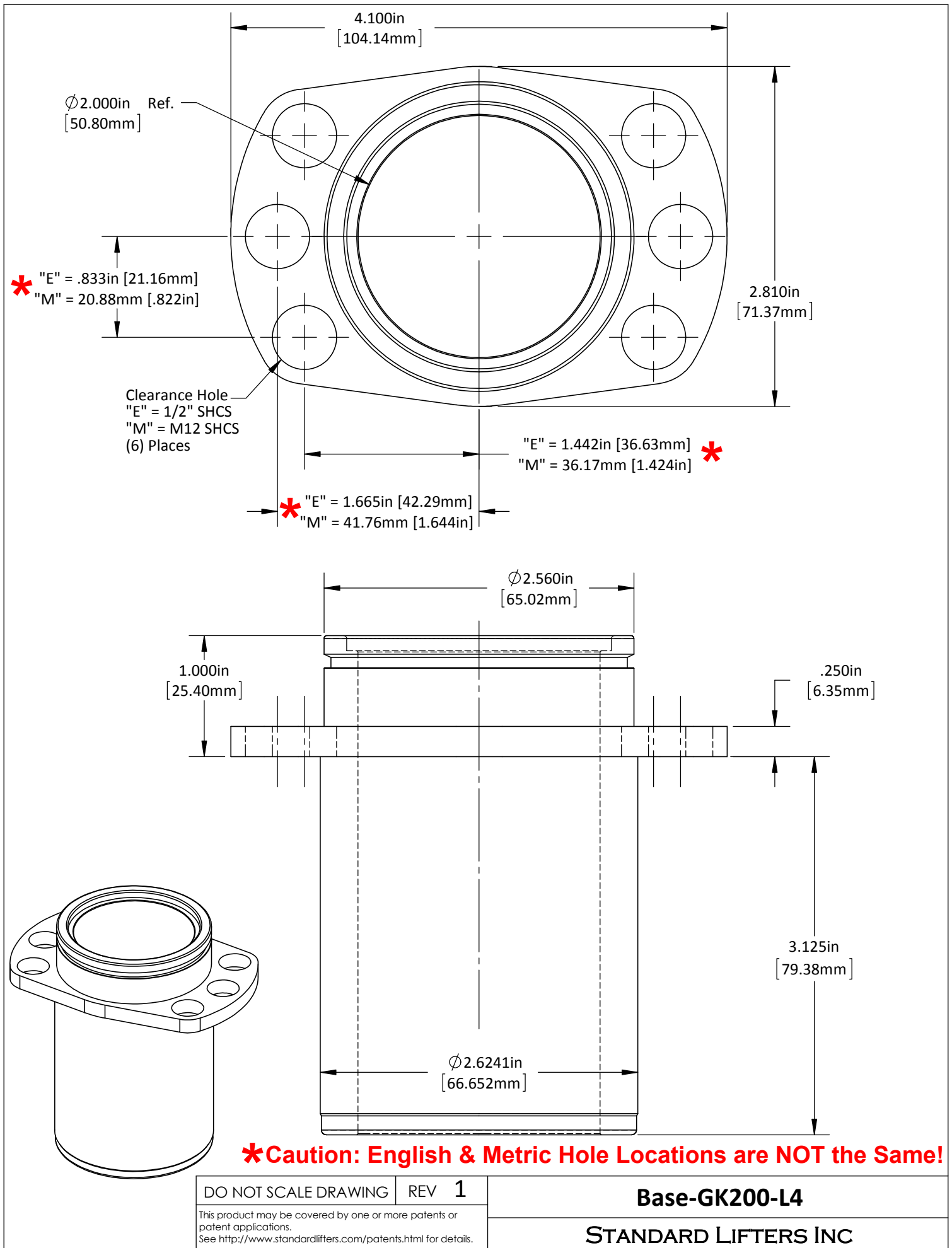
DO NOT SCALE DRAWING

REV 2

This product may be covered by one or more patents or patent applications. See <http://www.standardlifters.com/patents.html> for details.

Base-GK200-L3-Machining

STANDARD LIFTERS INC



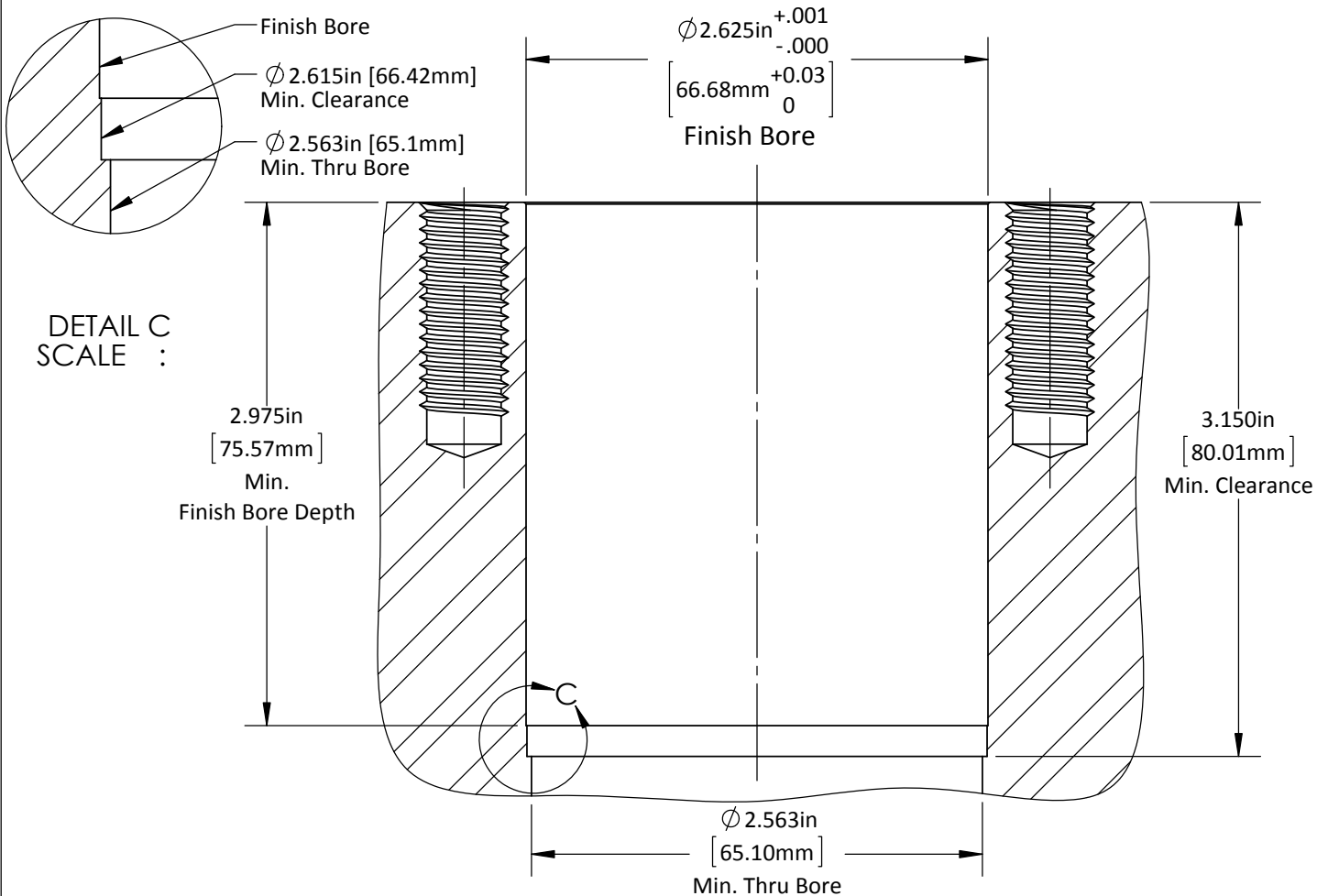
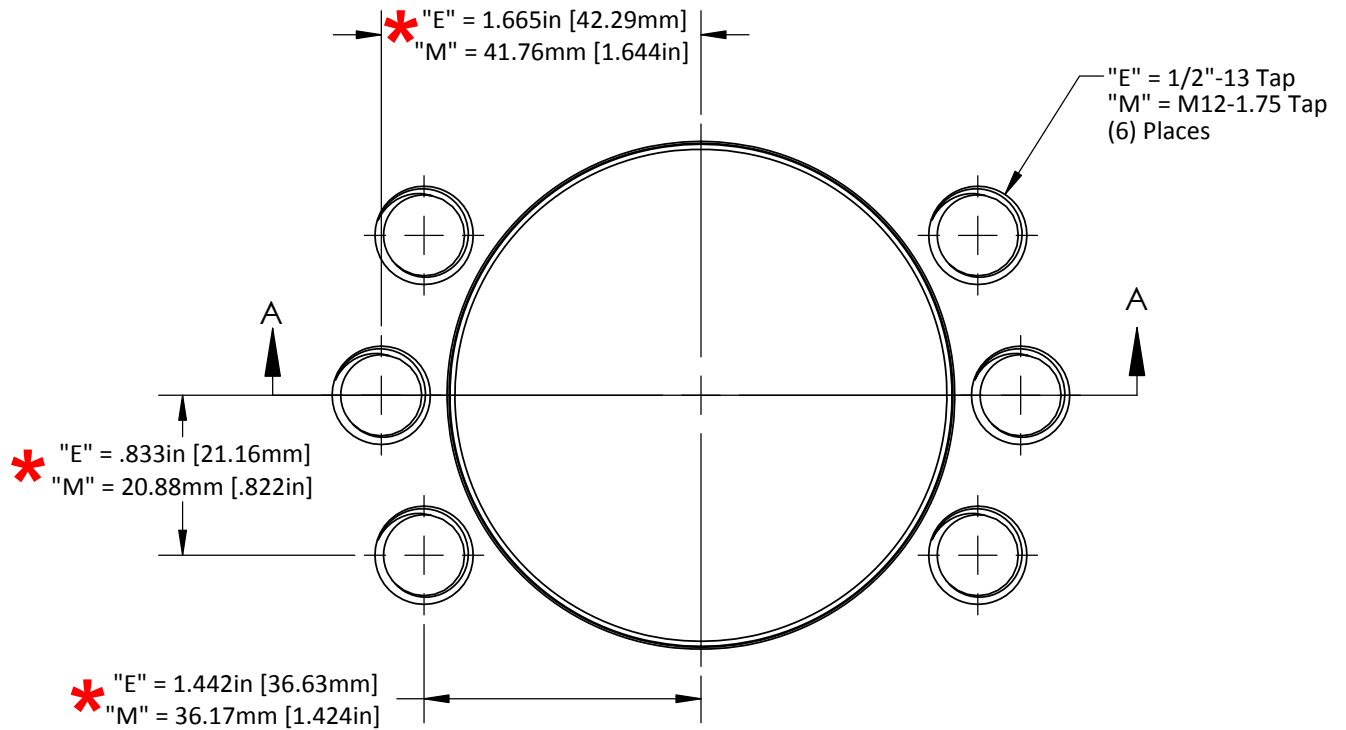
DO NOT SCALE DRAWING | REV 1

This product may be covered by one or more patents or patent applications.
 See <http://www.standardlifters.com/patents.html> for details.

Base-GK200-L4

STANDARD LIFTERS INC

***Caution: English & Metric Hole Locations are NOT the Same!**



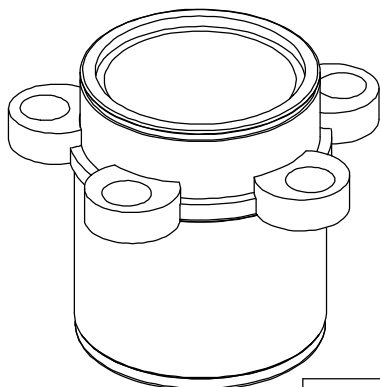
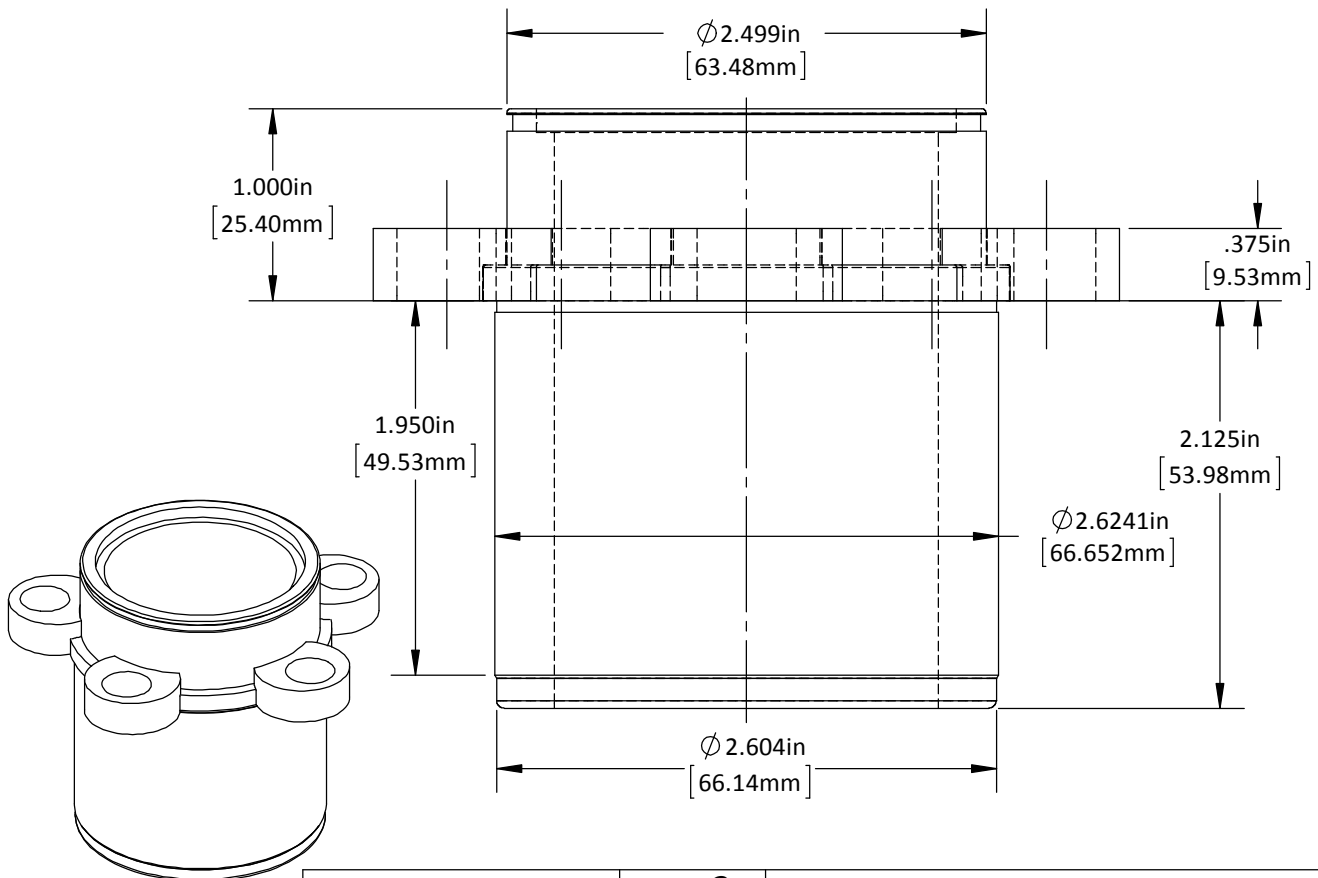
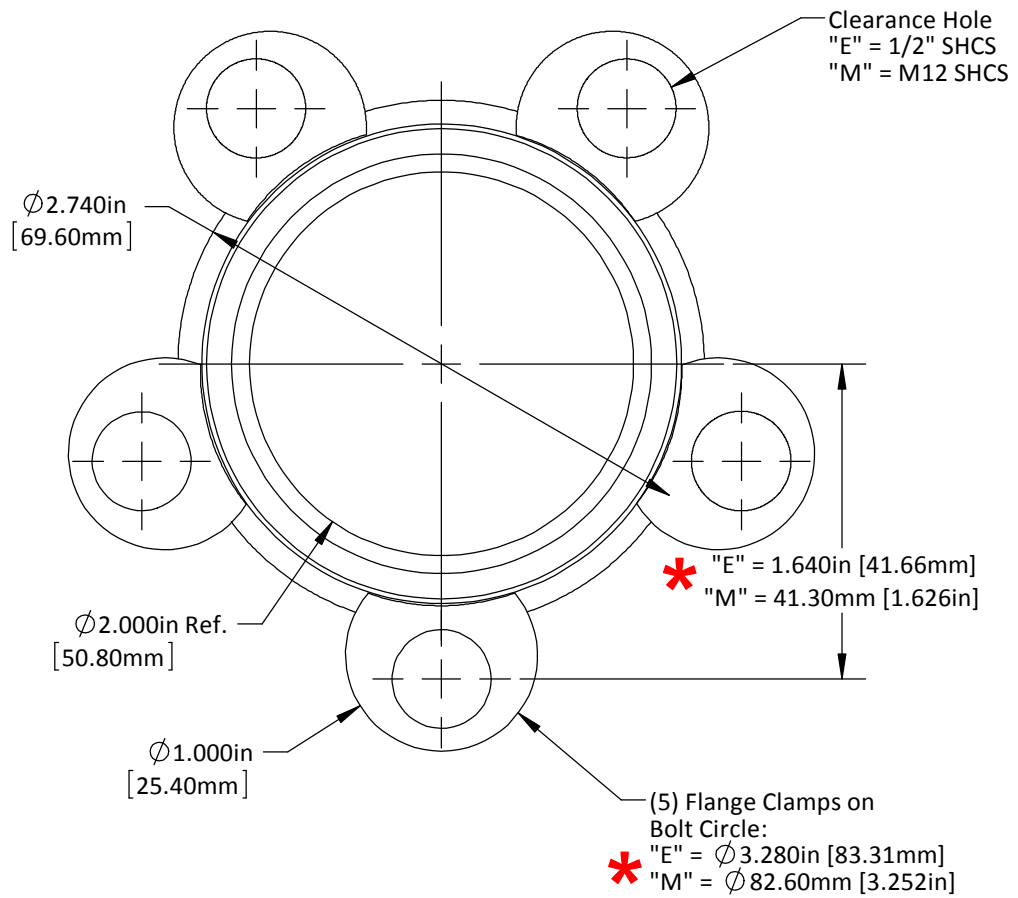
DO NOT SCALE DRAWING | REV 2

This product may be covered by one or more patents or patent applications.
 See <http://www.standardlifters.com/patents.html> for details.

Base-GK200-L4-Machining

STANDARD LIFTERS INC

*** Caution: English & Metric Hole Locations are NOT the Same!**



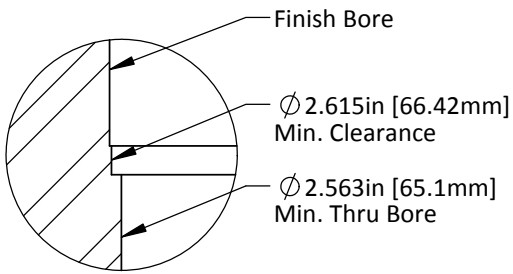
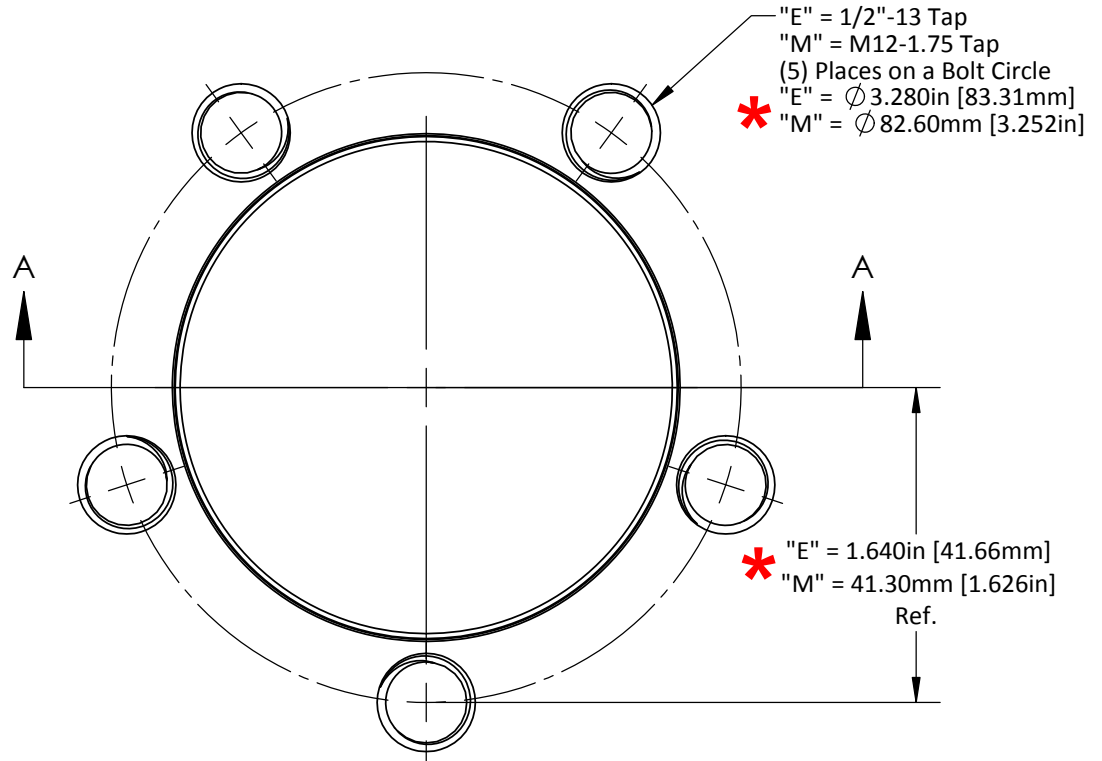
DO NOT SCALE DRAWING | REV 2

This product may be covered by one or more patents or patent applications.
 See <http://www.standardlifters.com/patents.html> for details.

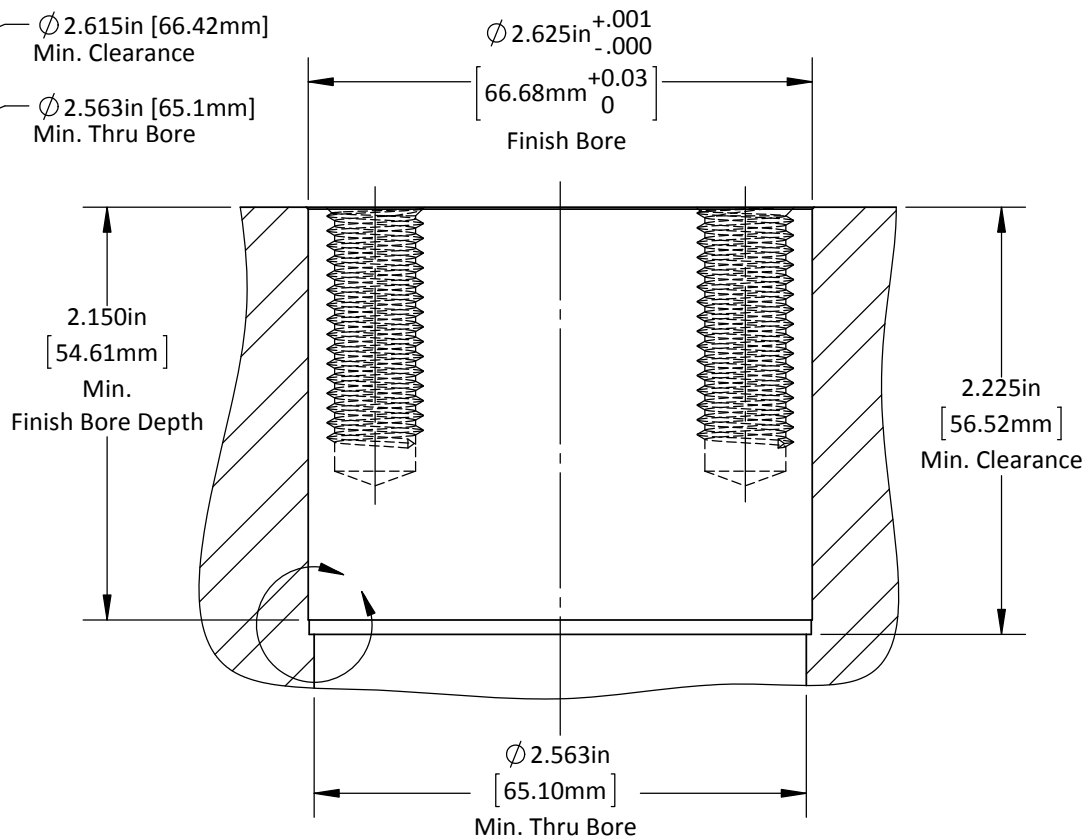
Base-GK200-H3

STANDARD LIFTERS INC

*** Caution: English & Metric Hole Locations are NOT the Same!**



DETAIL SCALE :



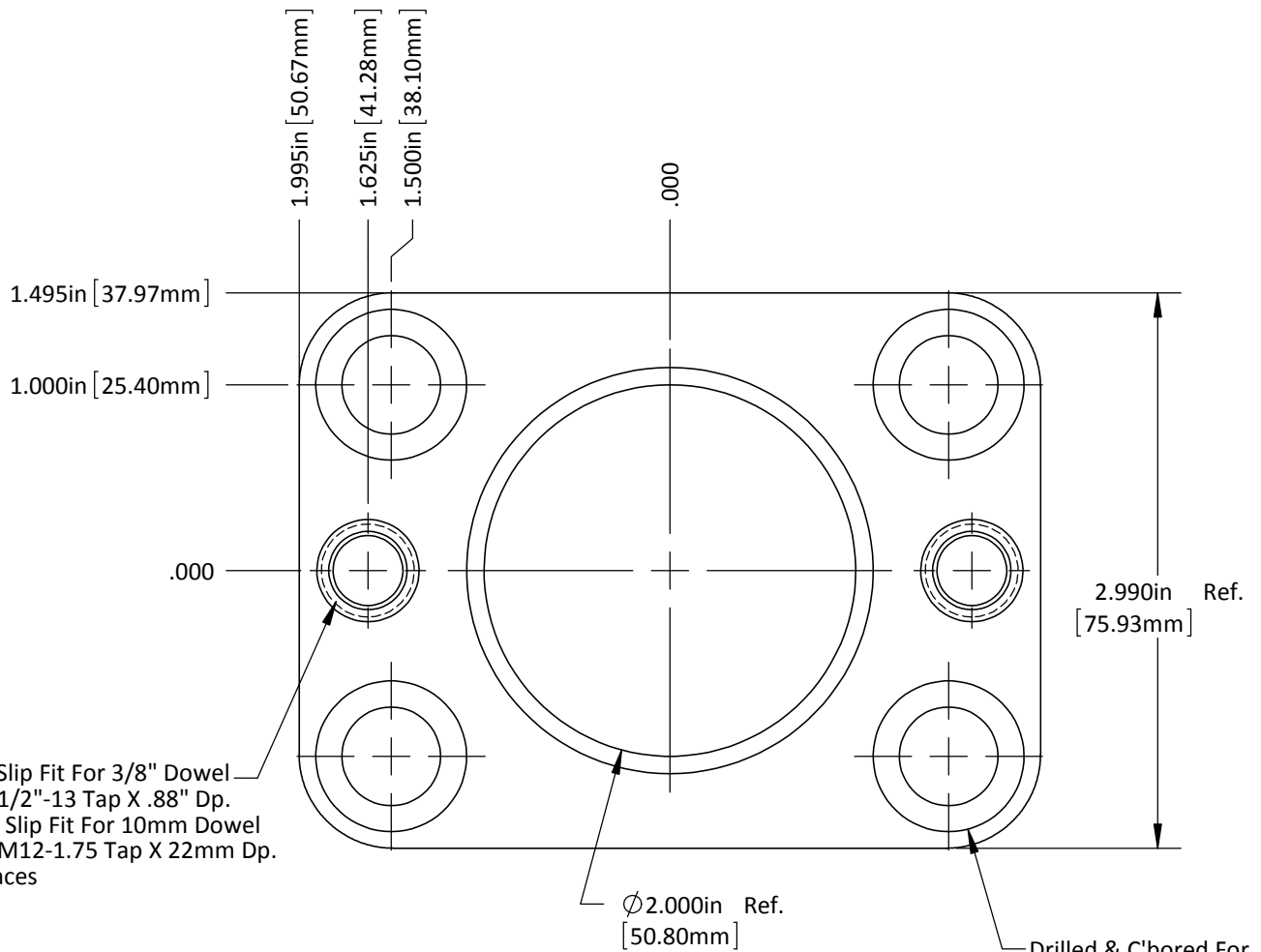
DO NOT SCALE DRAWING

REV 2

This product may be covered by one or more patents or patent applications. See <http://www.standardlifters.com/patents.html> for details.

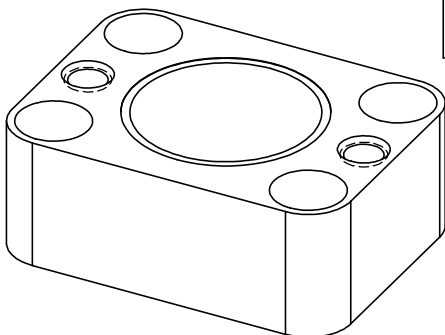
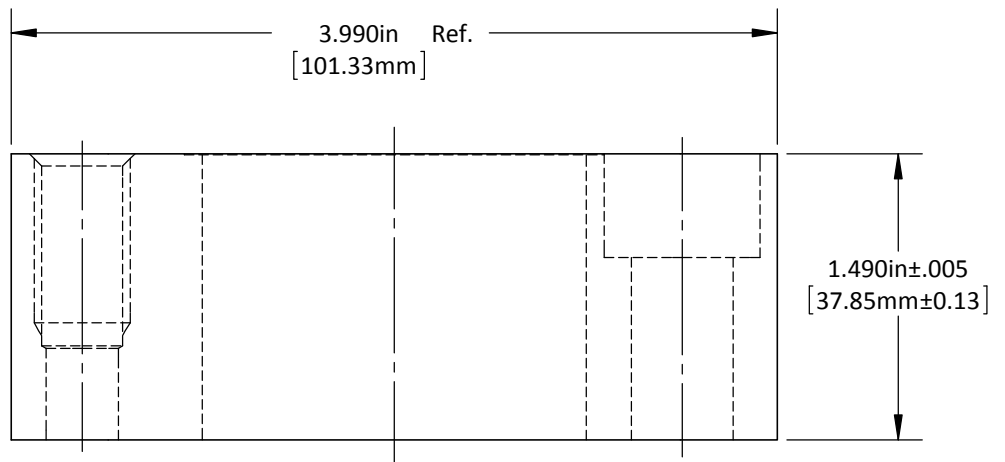
Base-GK200-H3-Machining

STANDARD LIFTERS INC



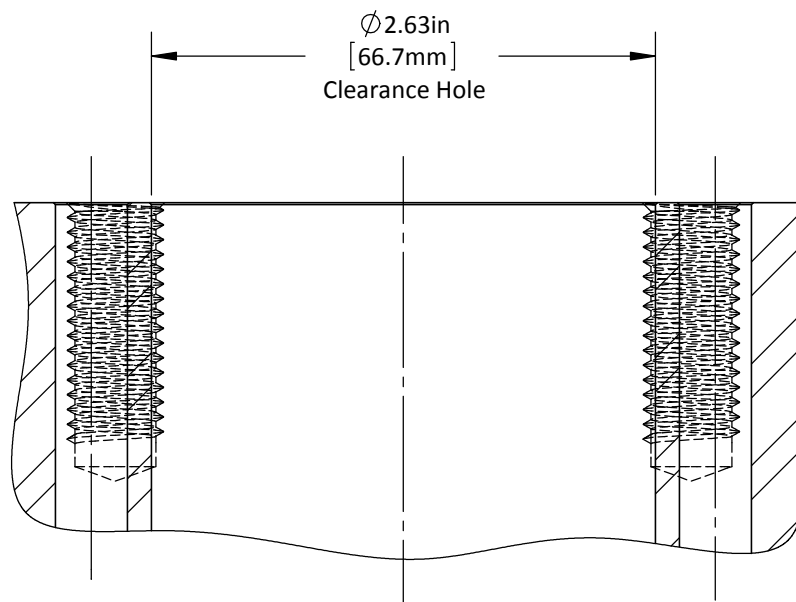
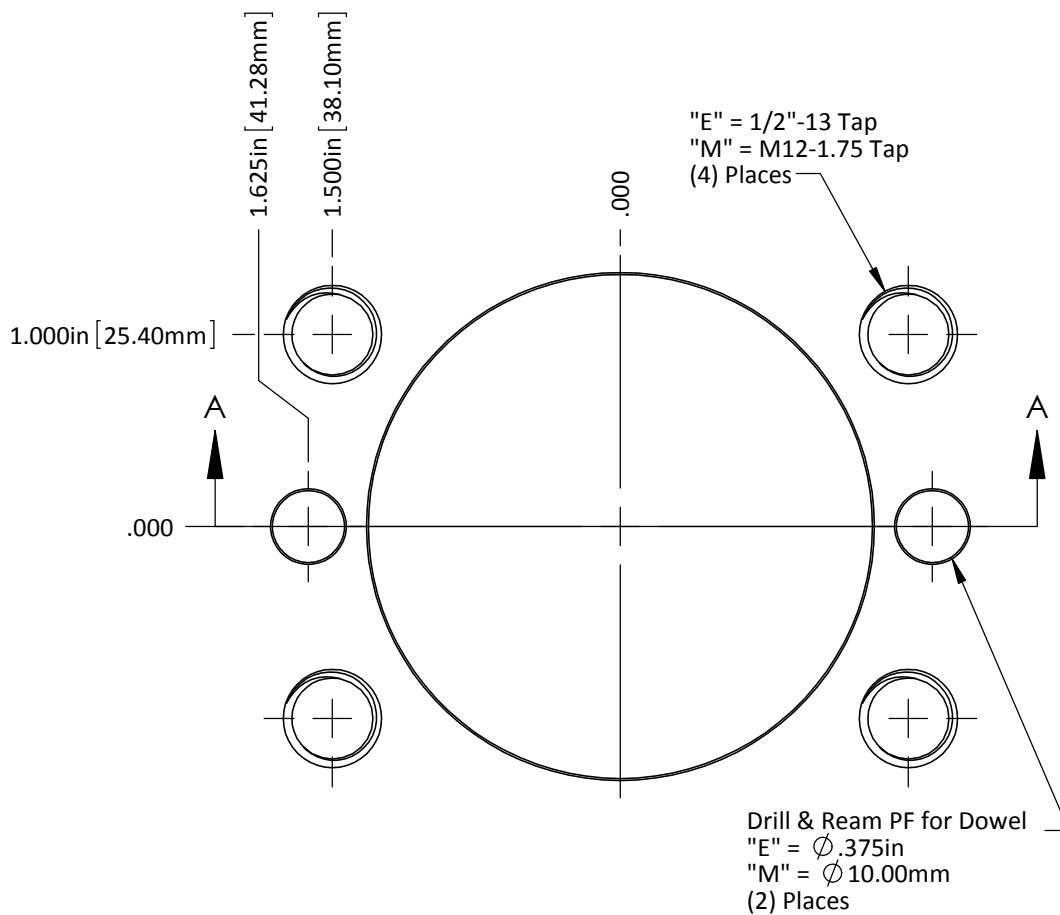
"E" = Slip Fit For 3/8" Dowel
 1/2"-13 Tap X .88" Dp.
 "M" = Slip Fit For 10mm Dowel
 M12-1.75 Tap X 22mm Dp.
 (2) Places

Drilled & C'bored For
 "E" = 1/2" SHCS
 "M" = M12 SHCS
 (4) Places



DO NOT SCALE DRAWING REV 1
 This product may be covered by one or more patents or patent applications.
 See <http://www.standardlifters.com/patents.html> for details.

Base-GK200-A
STANDARD LIFTERS INC



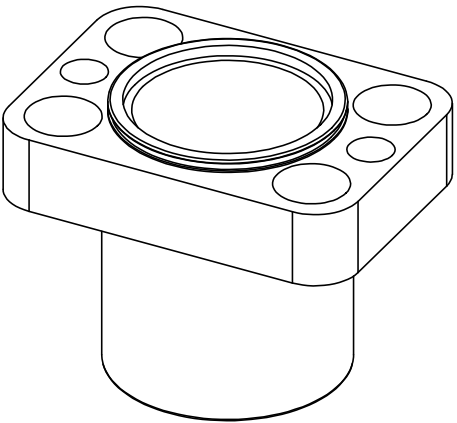
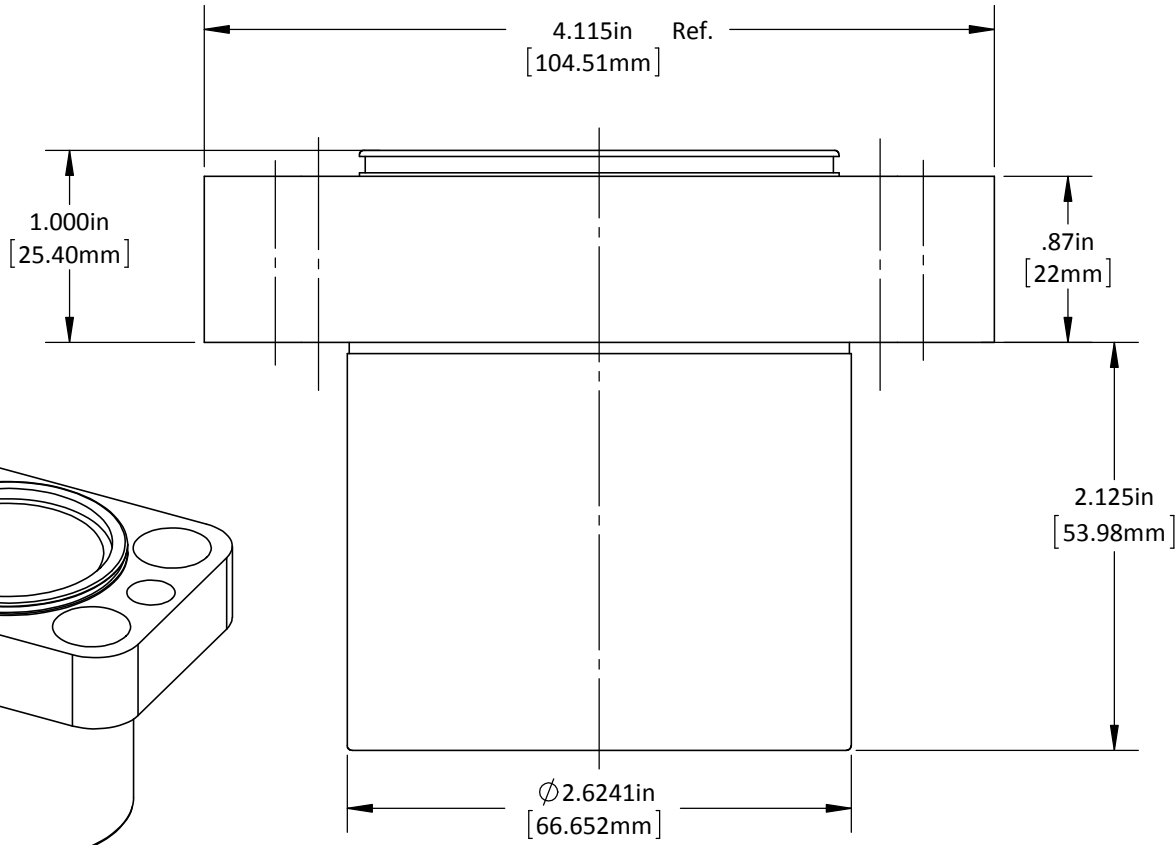
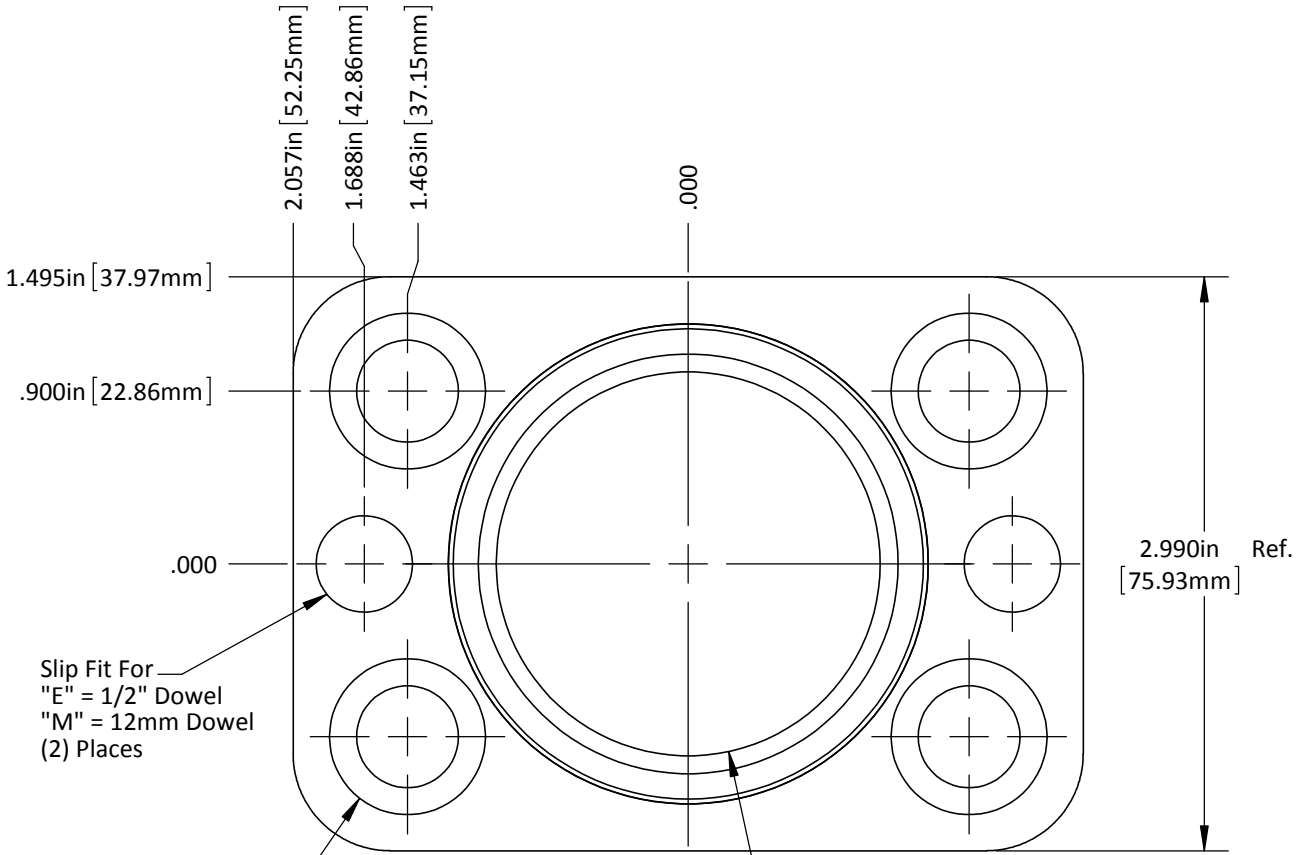
DO NOT SCALE DRAWING

REV 1

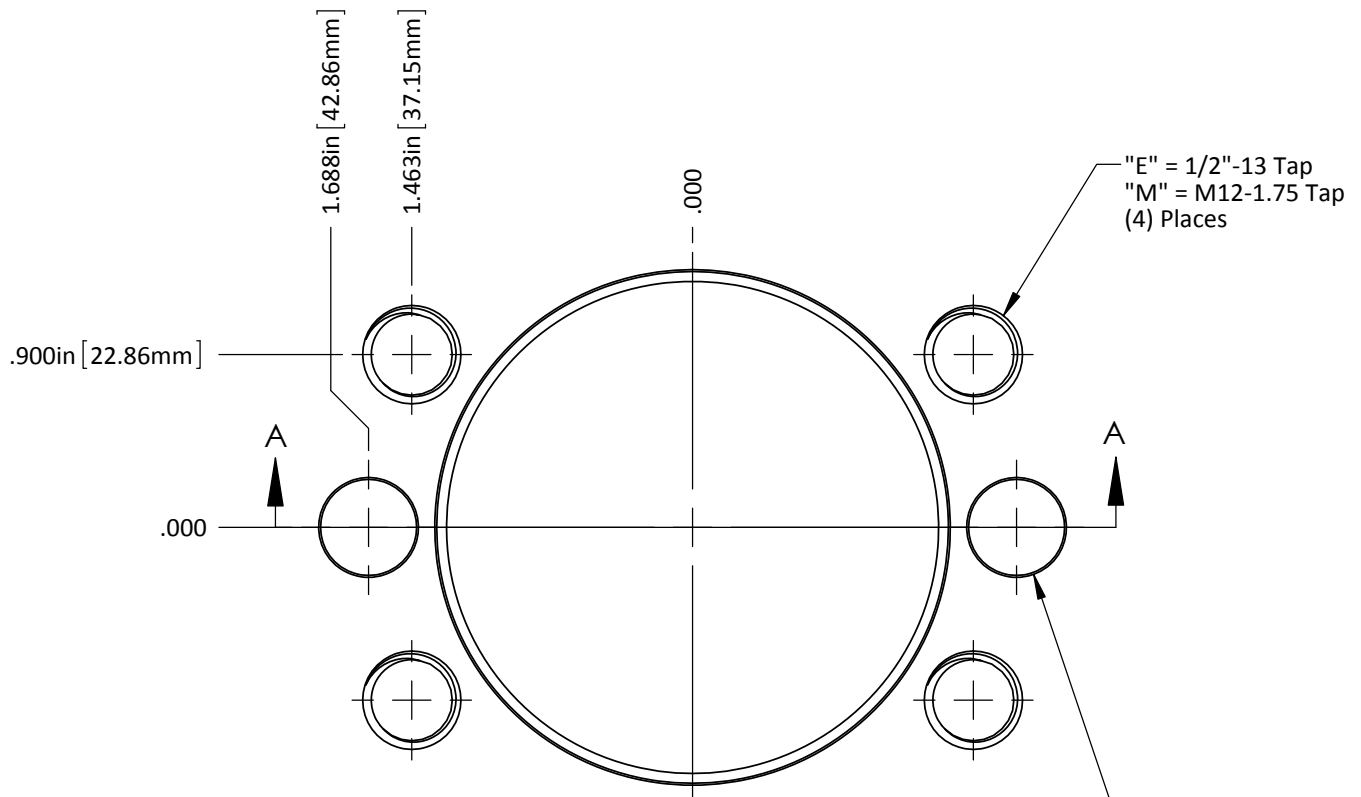
This product may be covered by one or more patents or
 patent applications.
 See <http://www.standardlifters.com/patents.html> for details.

Base-GK200-A-Machining

STANDARD LIFTERS INC

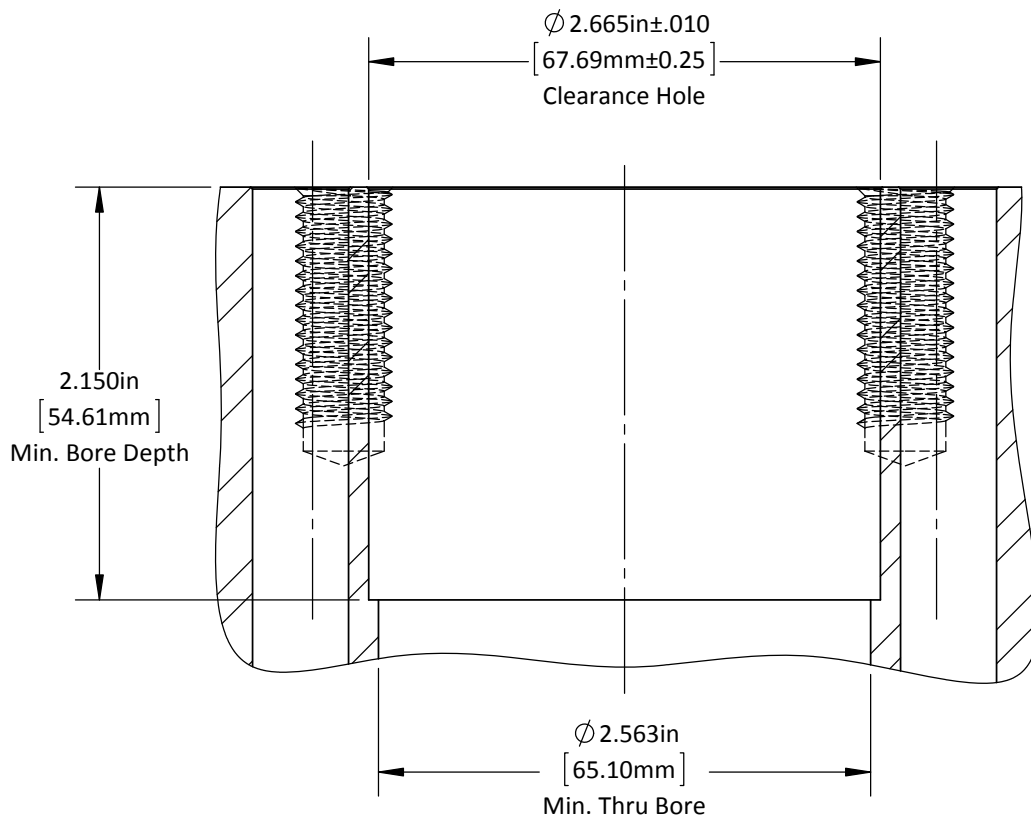


DO NOT SCALE DRAWING	REV 1	Base-GK200-D3 STANDARD LIFTERS INC
This product may be covered by one or more patents or patent applications. See http://www.standardlifters.com/patents.html for details.		



"E" = 1/2"-13 Tap
 "M" = M12-1.75 Tap
 (4) Places

Drill & Ream PF for Dowel
 "E" = $\varnothing .500\text{in}$
 "M" = $\varnothing 12.00\text{mm}$
 (2) Places



DO NOT SCALE DRAWING	REV 2
This product may be covered by one or more patents or patent applications. See http://www.standardlifters.com/patents.html for details.	

Base-GK200-D3-Machining
STANDARD LIFTERS INC