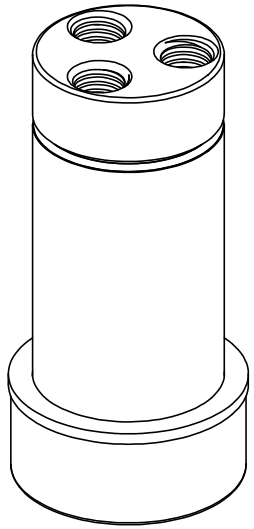
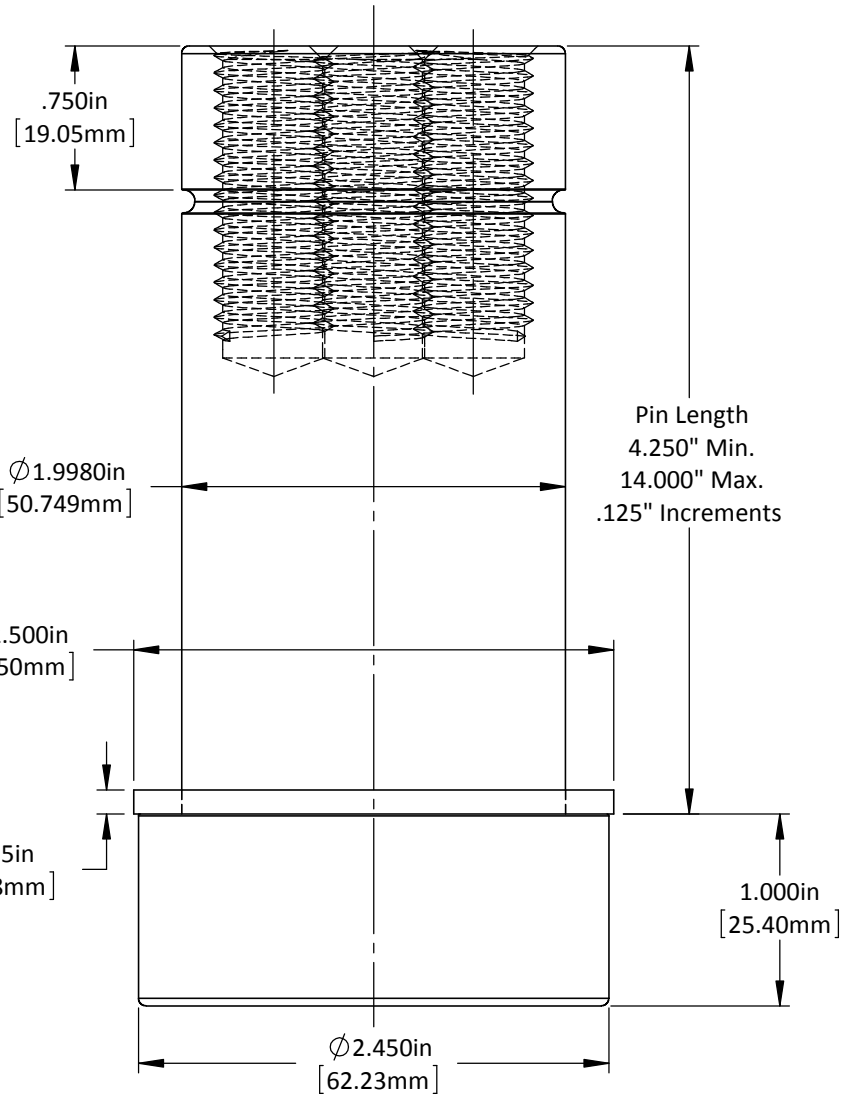


"E" = 5/8"-11 Tap
 1.50in Dp.
 "M" = M16-2.0 Tap
 38mm Dp.
 (3) Holes Equally Spaced
 on a 1.200in [30.48mm]
 Bolt Circle

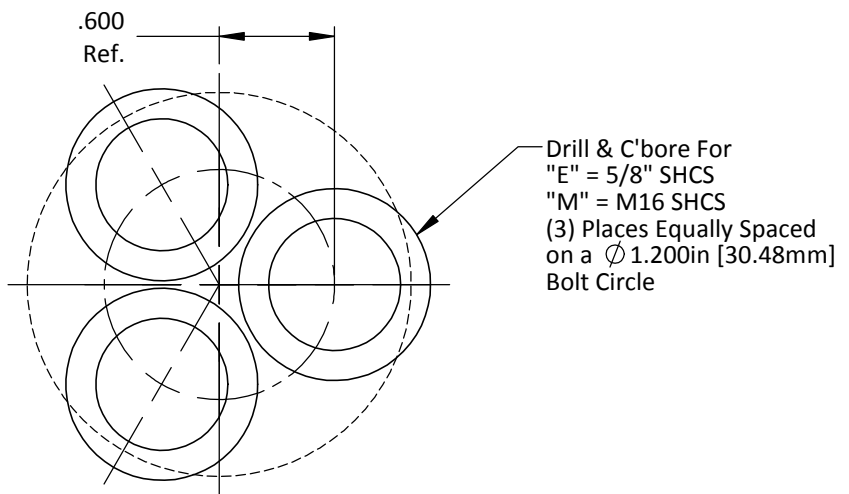
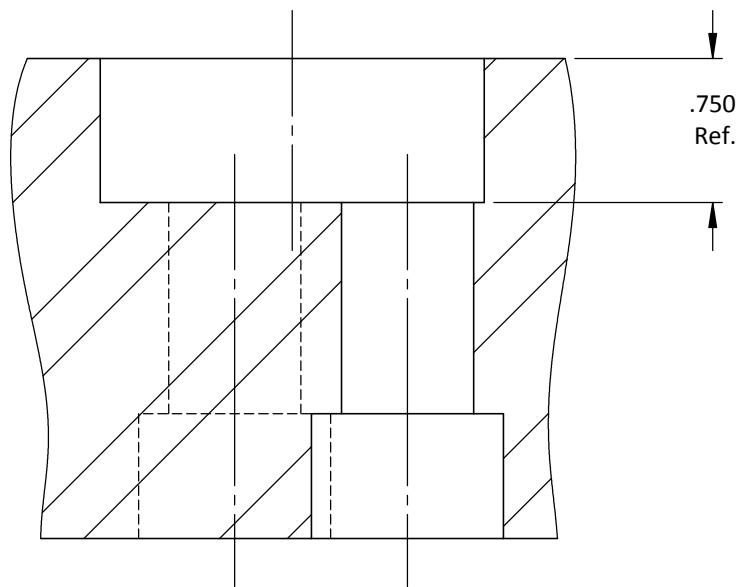
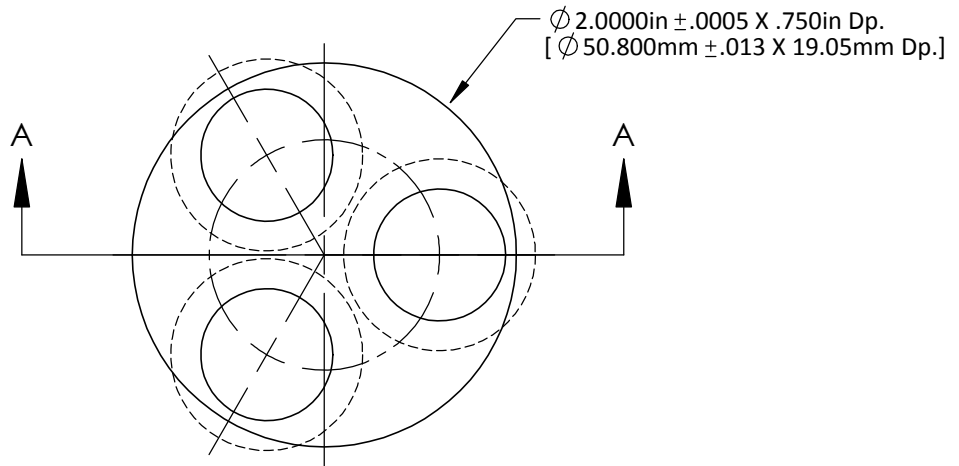


DO NOT SCALE DRAWING REV 1

This product may be covered by one or more patents or patent applications.
 See <http://www.standardlifters.com/patents.html> for details.

Guide Pin GK205

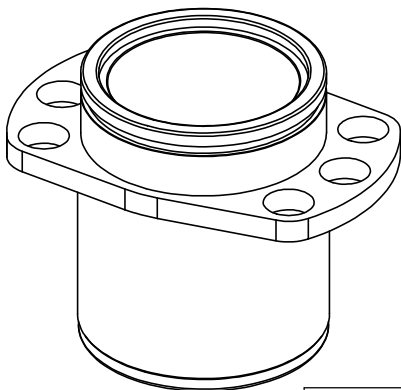
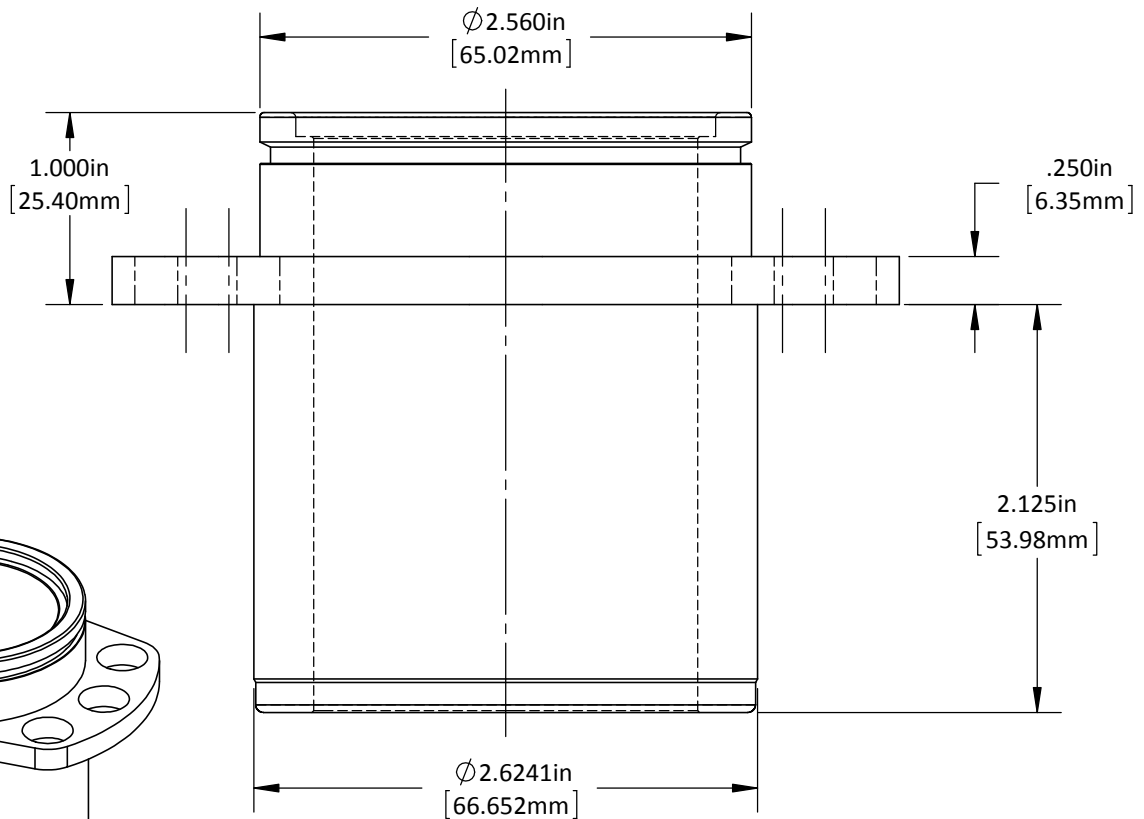
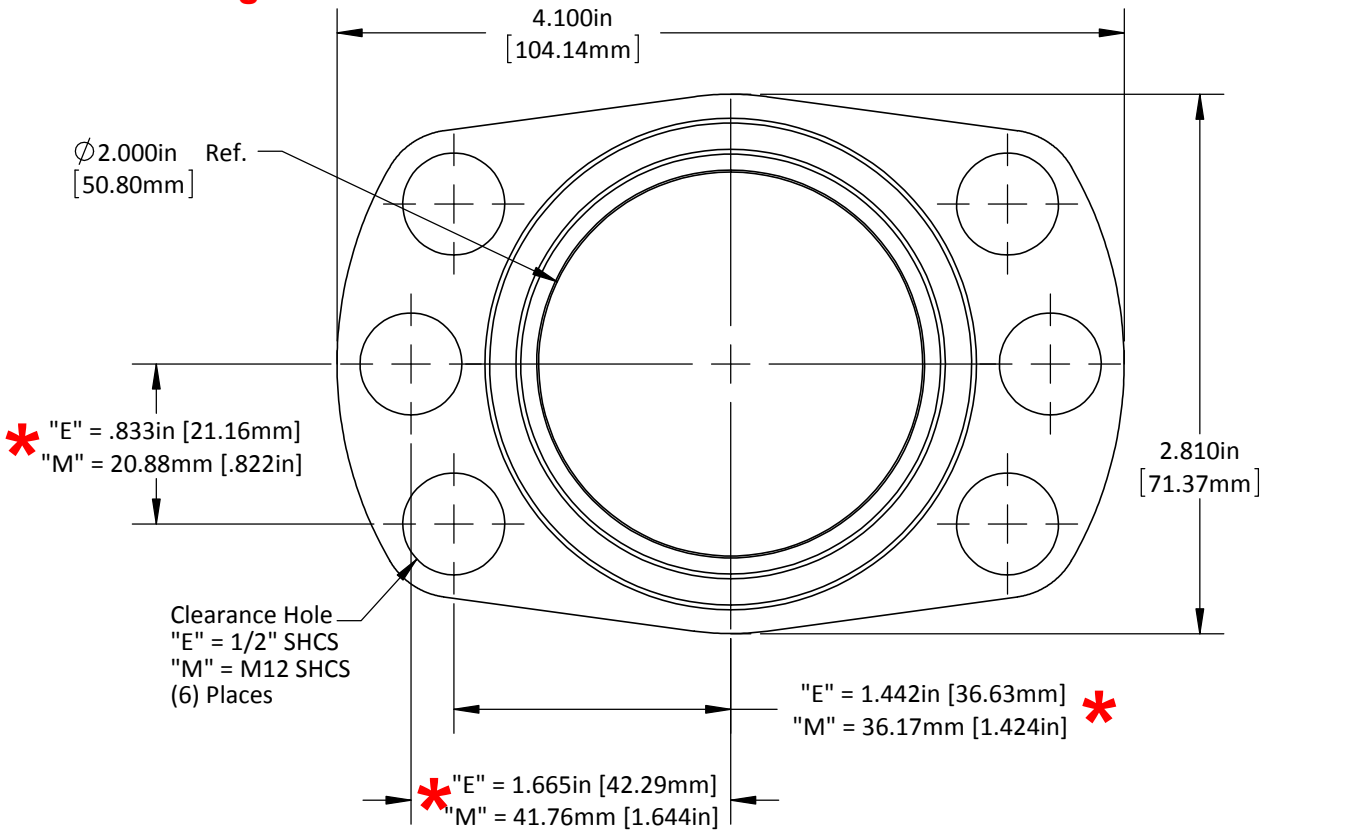
STANDARD LIFTERS INC



DO NOT SCALE DRAWING	REV 1
This product may be covered by one or more patents or patent applications. See http://www.standardlifters.com/patents.html for details.	

Guide Pin GK205-Machining
STANDARD LIFTERS INC

***Caution: English & Metric Hole Locations are NOT the Same!**



DO NOT SCALE DRAWING

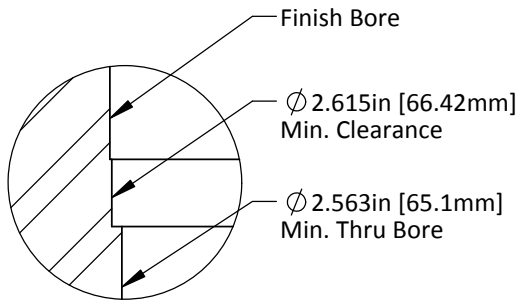
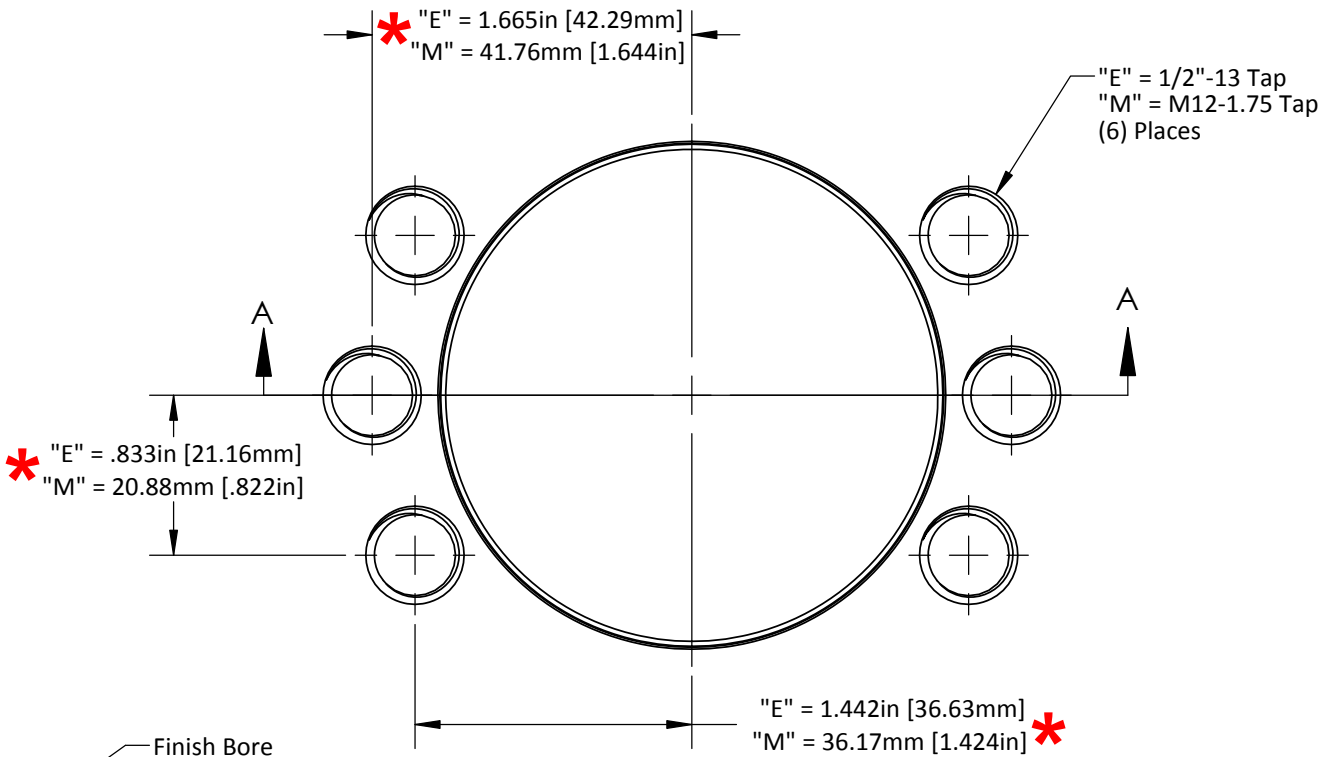
REV 1

This product may be covered by one or more patents or patent applications.
 See <http://www.standardlifters.com/patents.html> for details.

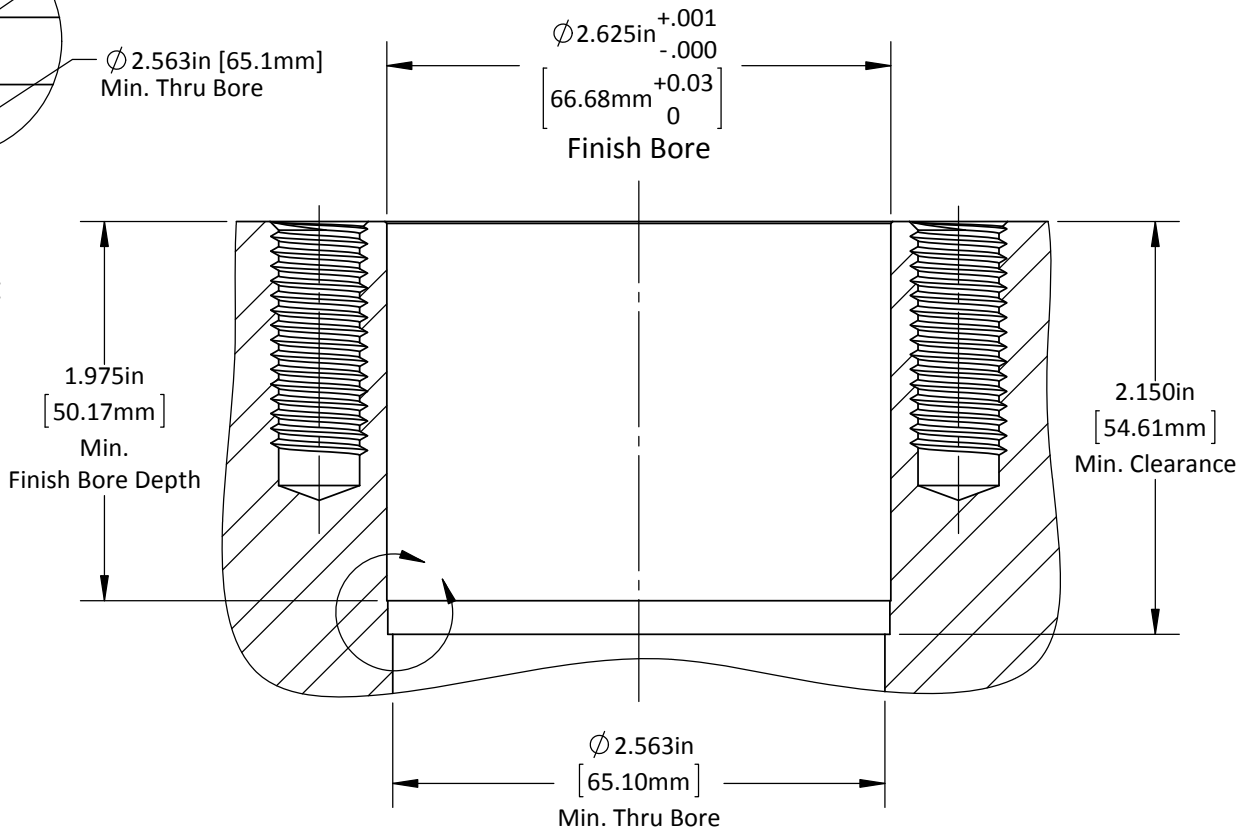
Base-GK205-L3

STANDARD LIFTERS INC

***Caution: English & Metric Hole Locations are NOT the Same!**



DETAIL SCALE :



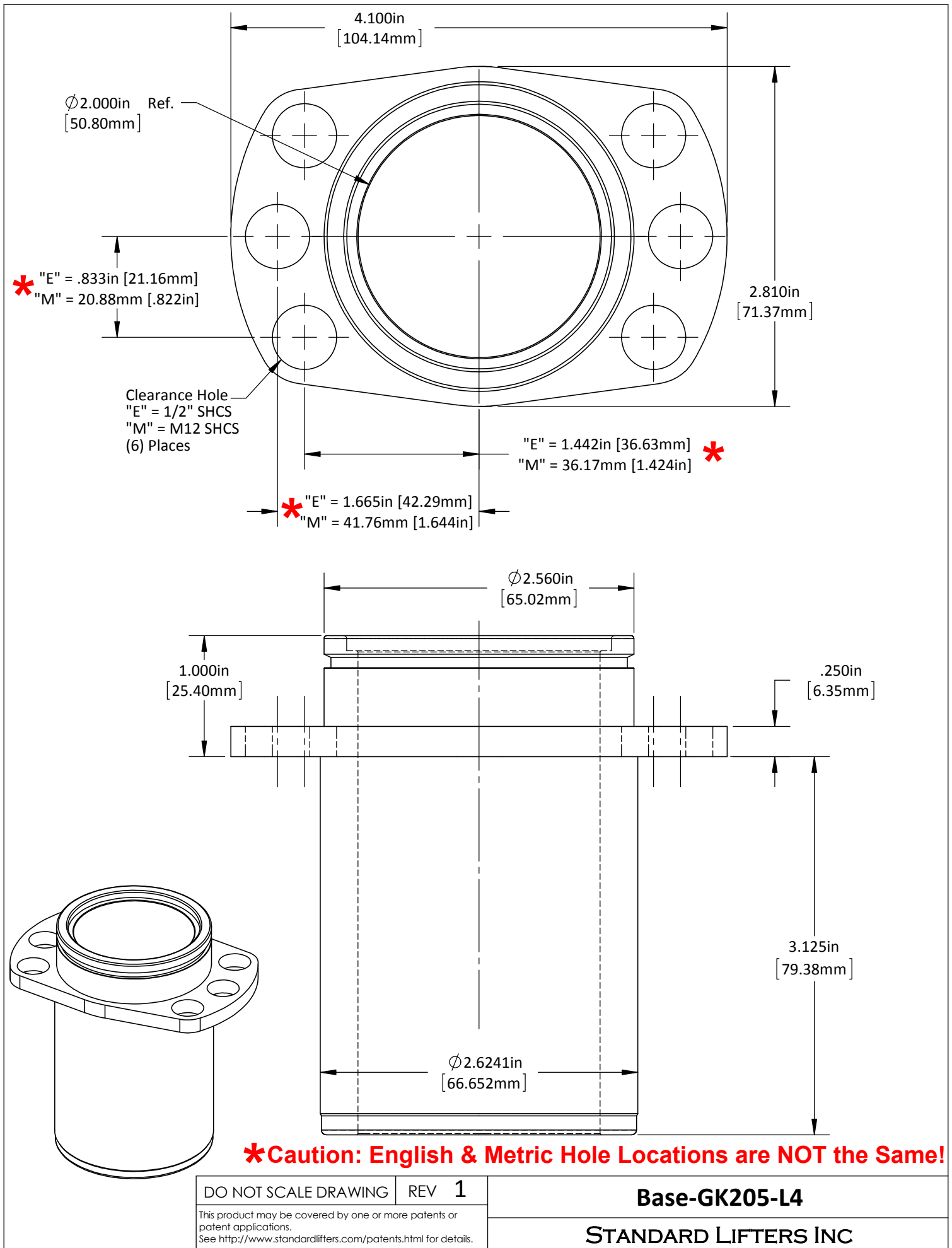
DO NOT SCALE DRAWING

REV 2

This product may be covered by one or more patents or patent applications. See <http://www.standardlifters.com/patents.html> for details.

Base-GK205-L3-Machining

STANDARD LIFTERS INC



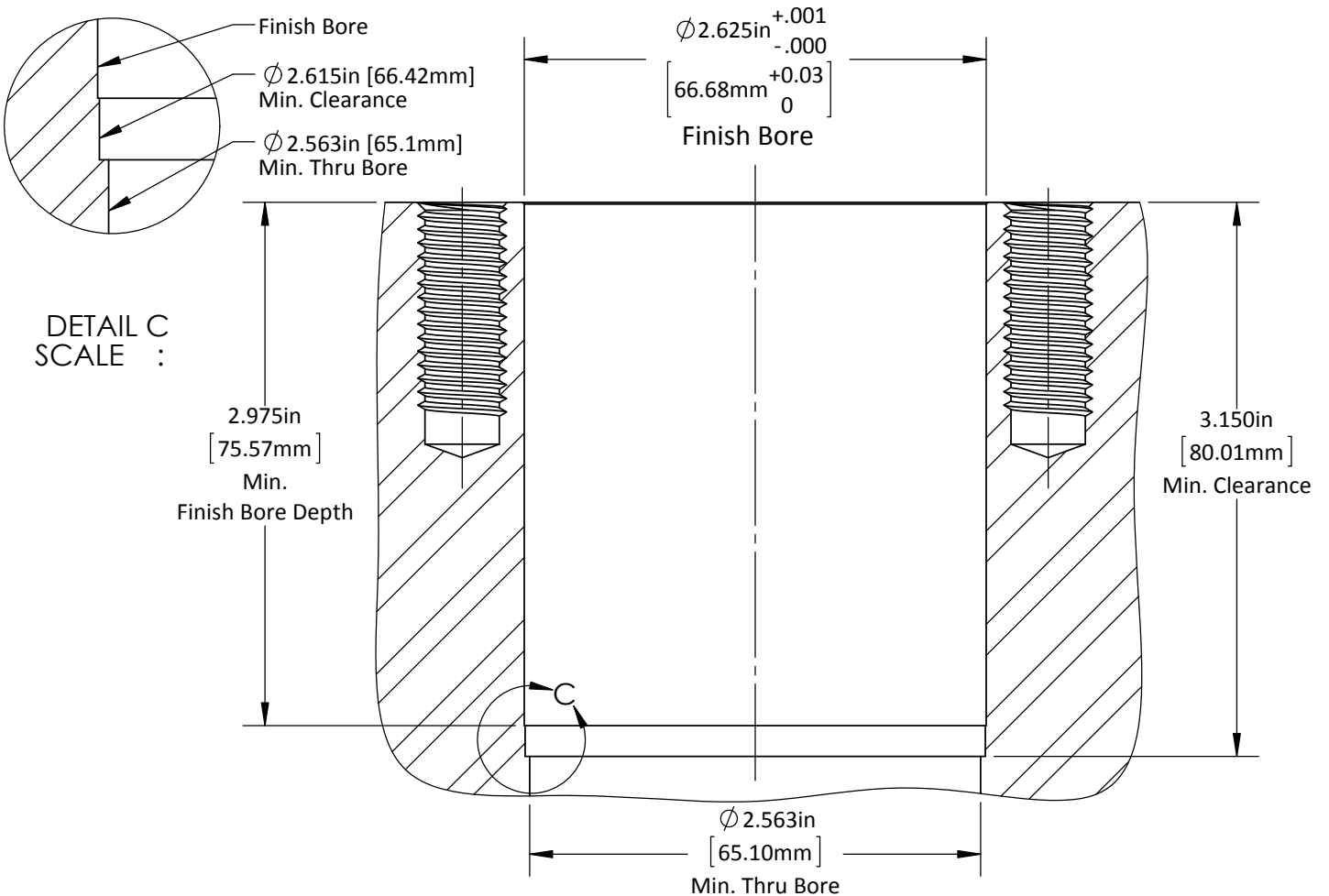
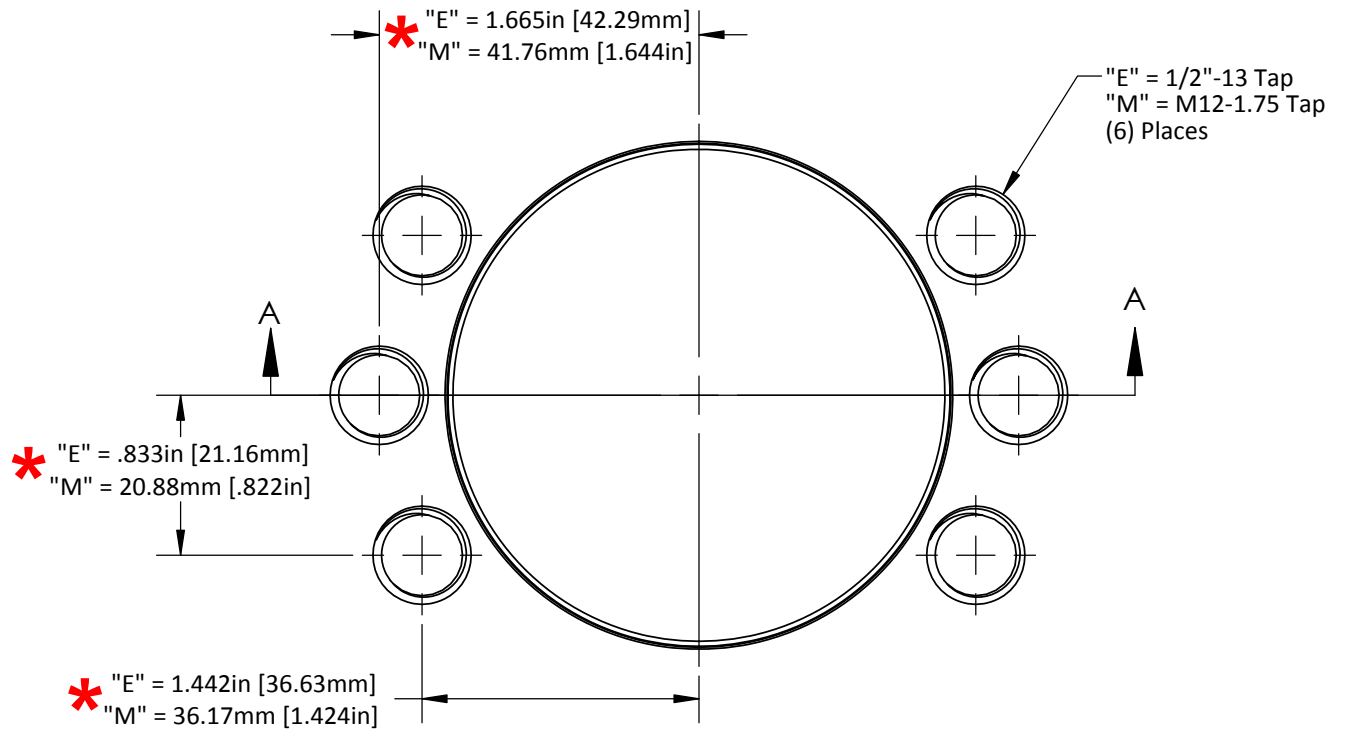
DO NOT SCALE DRAWING | REV 1

This product may be covered by one or more patents or patent applications.
 See <http://www.standardlifters.com/patents.html> for details.

Base-GK205-L4

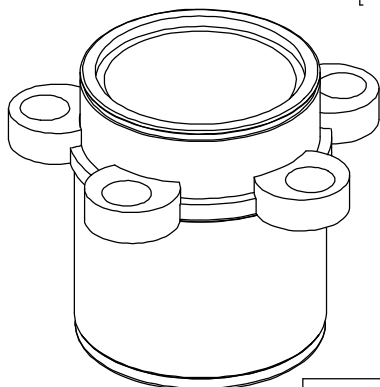
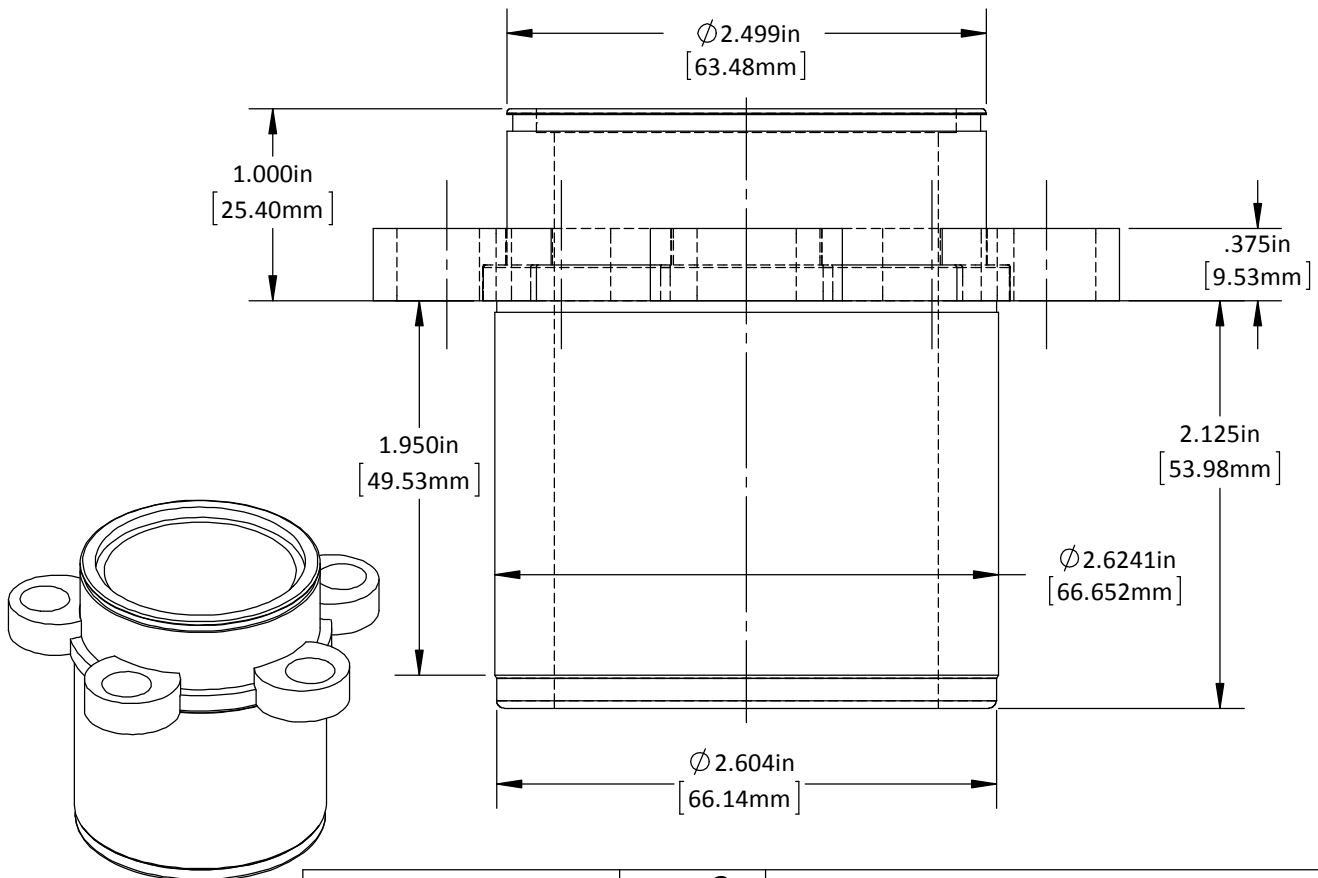
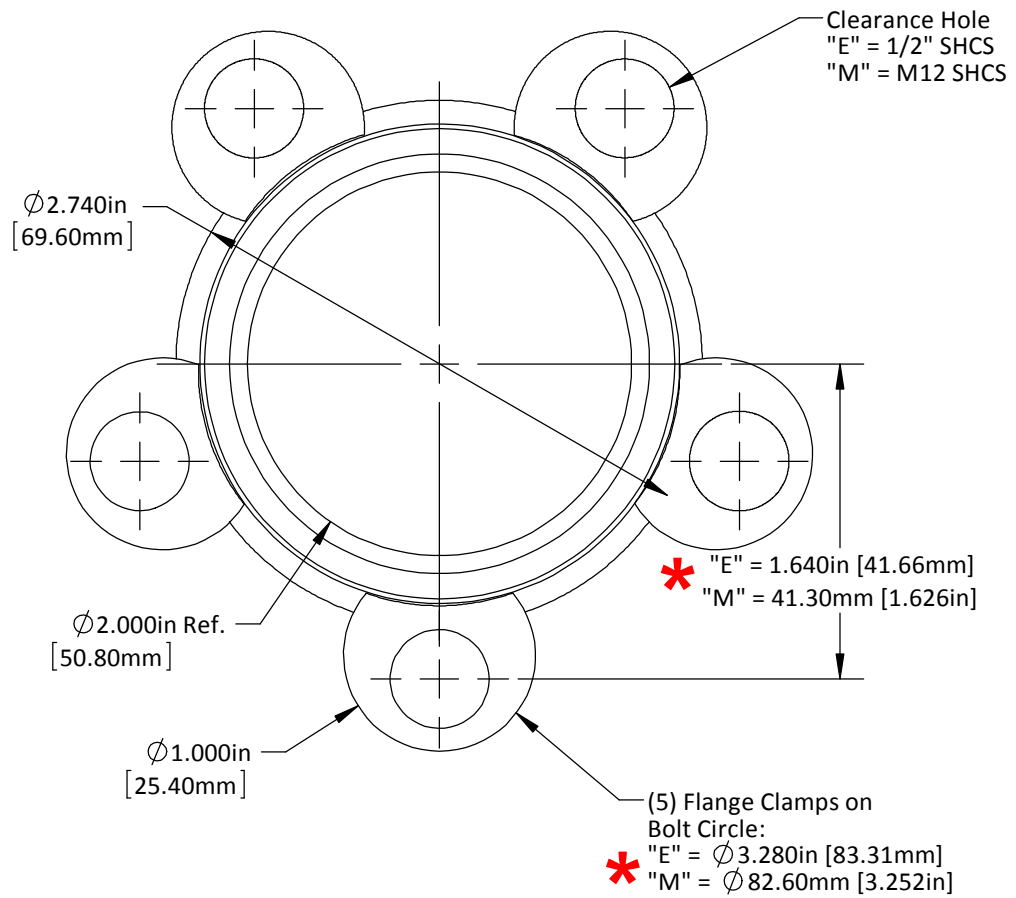
STANDARD LIFTERS INC

***Caution: English & Metric Hole Locations are NOT the Same!**



DO NOT SCALE DRAWING	REV 2	Base-GK205-L4-Machining
This product may be covered by one or more patents or patent applications. See http://www.standardlifters.com/patents.html for details.		

*** Caution: English & Metric Hole Locations are NOT the Same!**



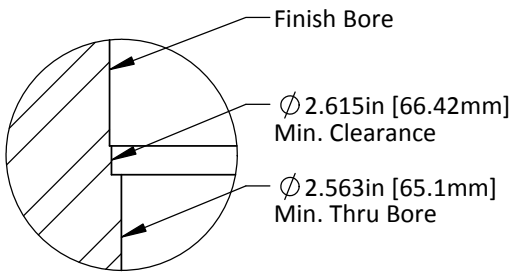
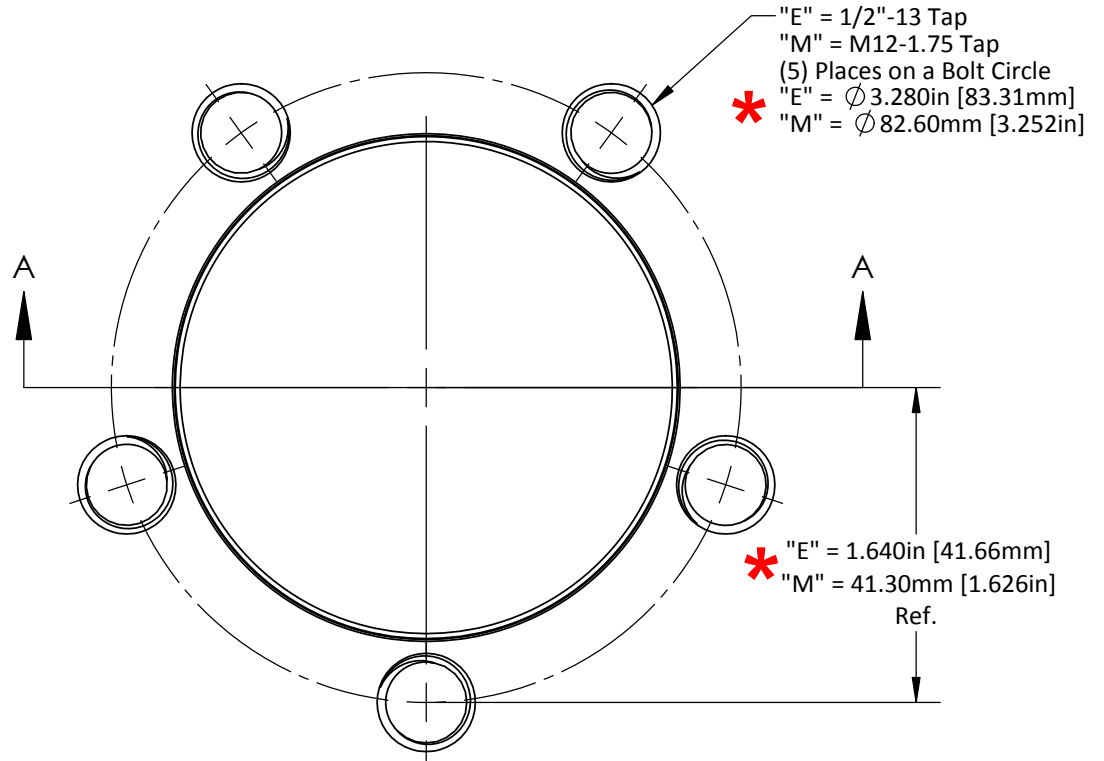
DO NOT SCALE DRAWING | REV 2

This product may be covered by one or more patents or patent applications.
 See <http://www.standardlifters.com/patents.html> for details.

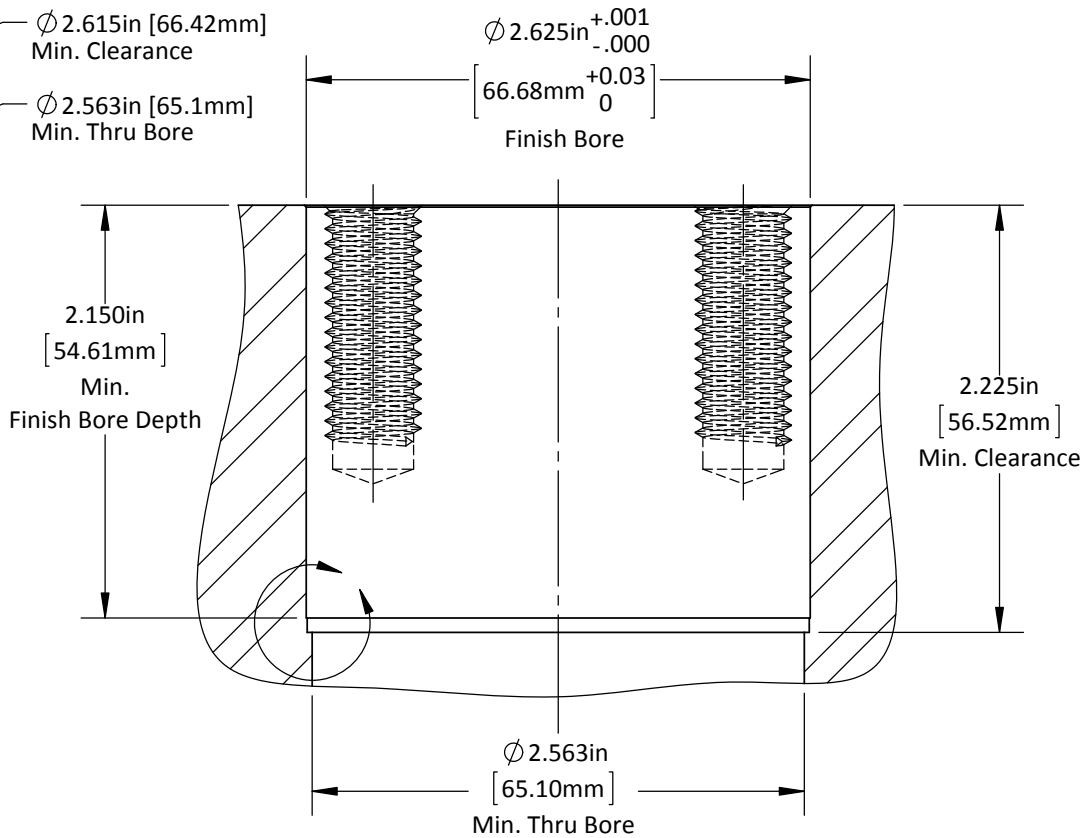
Base-GK205-H3

STANDARD LIFTERS INC

*** Caution: English & Metric Hole Locations are NOT the Same!**

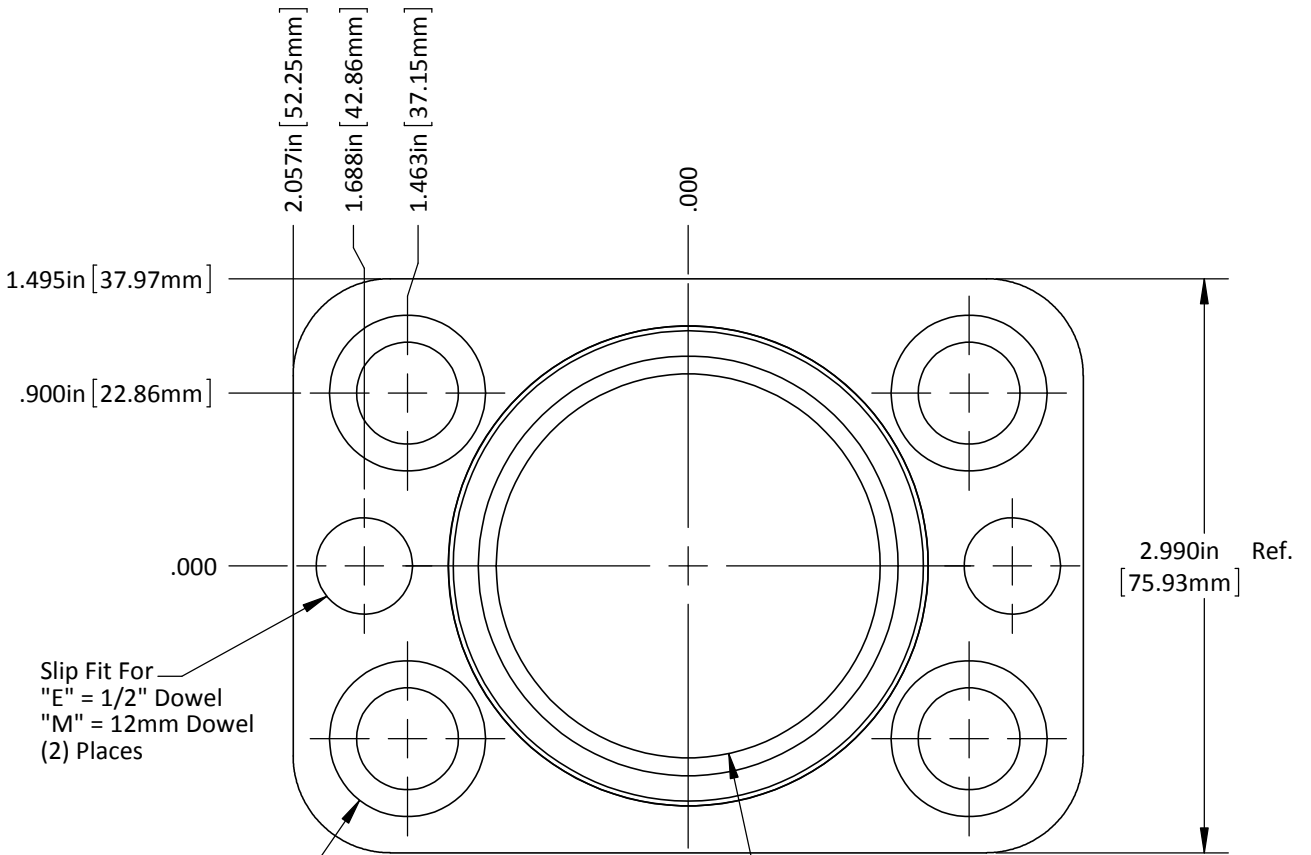


DETAIL SCALE :



DO NOT SCALE DRAWING	REV 2
This product may be covered by one or more patents or patent applications. See http://www.standardlifters.com/patents.html for details.	

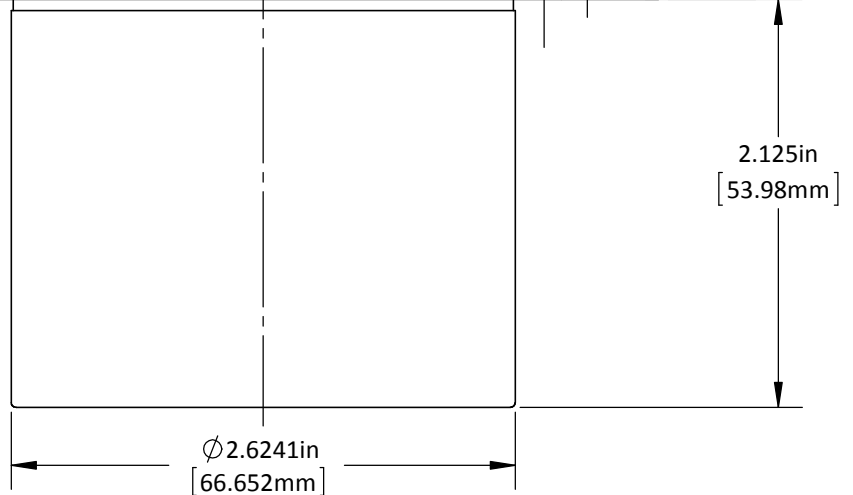
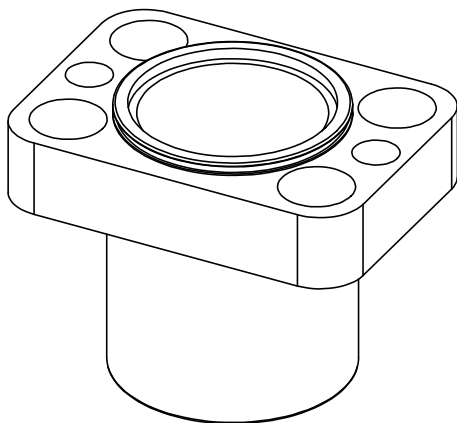
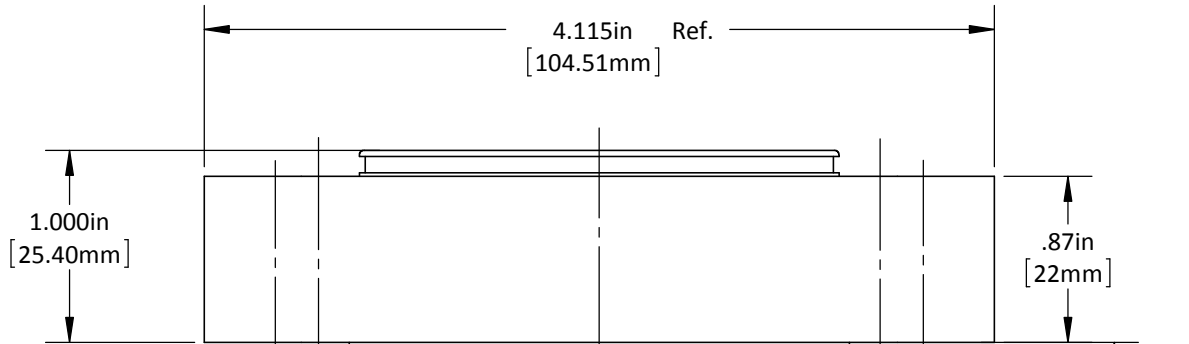
Base-GK205-H3-Machining
STANDARD LIFTERS INC



Slip Fit For
"E" = 1/2" Dowel
"M" = 12mm Dowel
(2) Places

Drilled & C'bored For
"E" = 1/2" SHCS
"M" = M12 SHCS
(4) Places

Ø2.000in Ref.
[50.80mm]



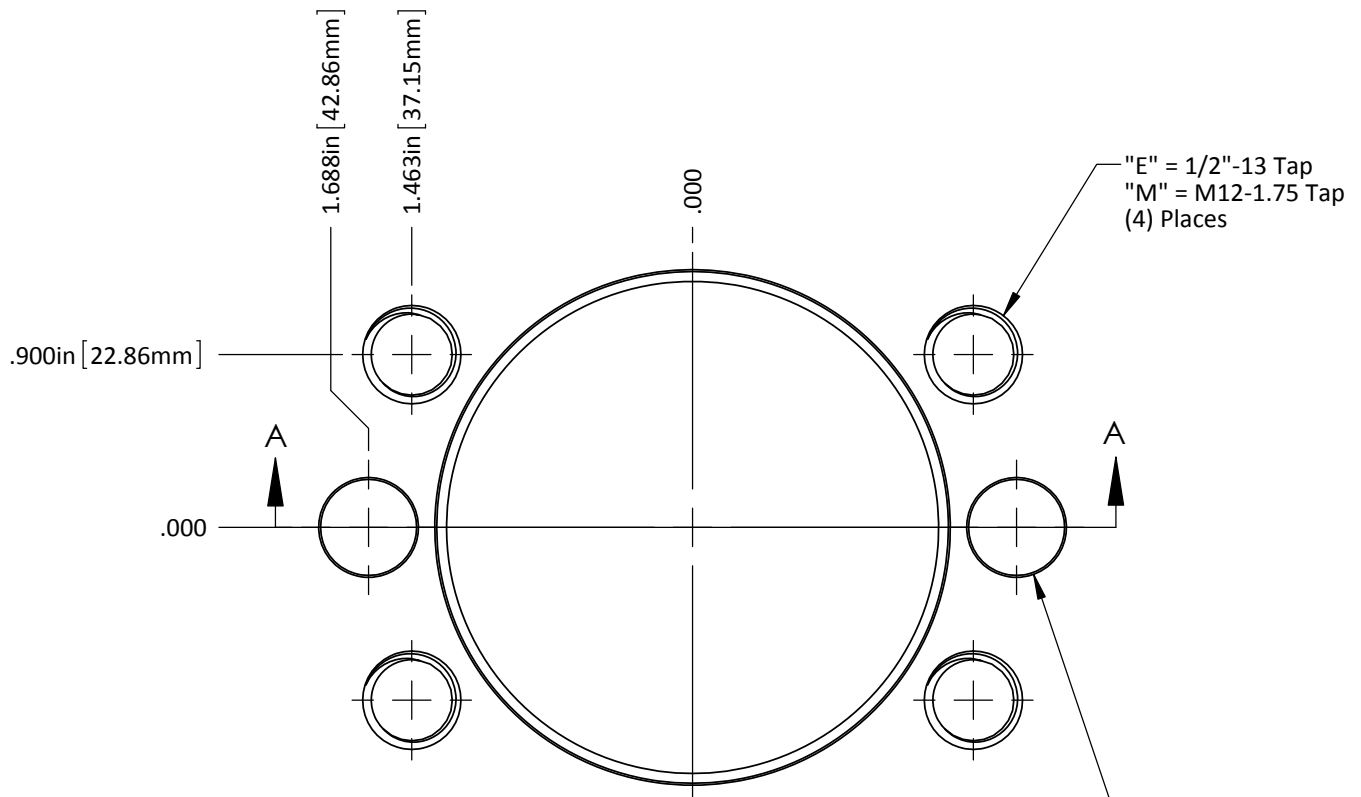
DO NOT SCALE DRAWING

REV 1

This product may be covered by one or more patents or patent applications. See <http://www.standardlifters.com/patents.html> for details.

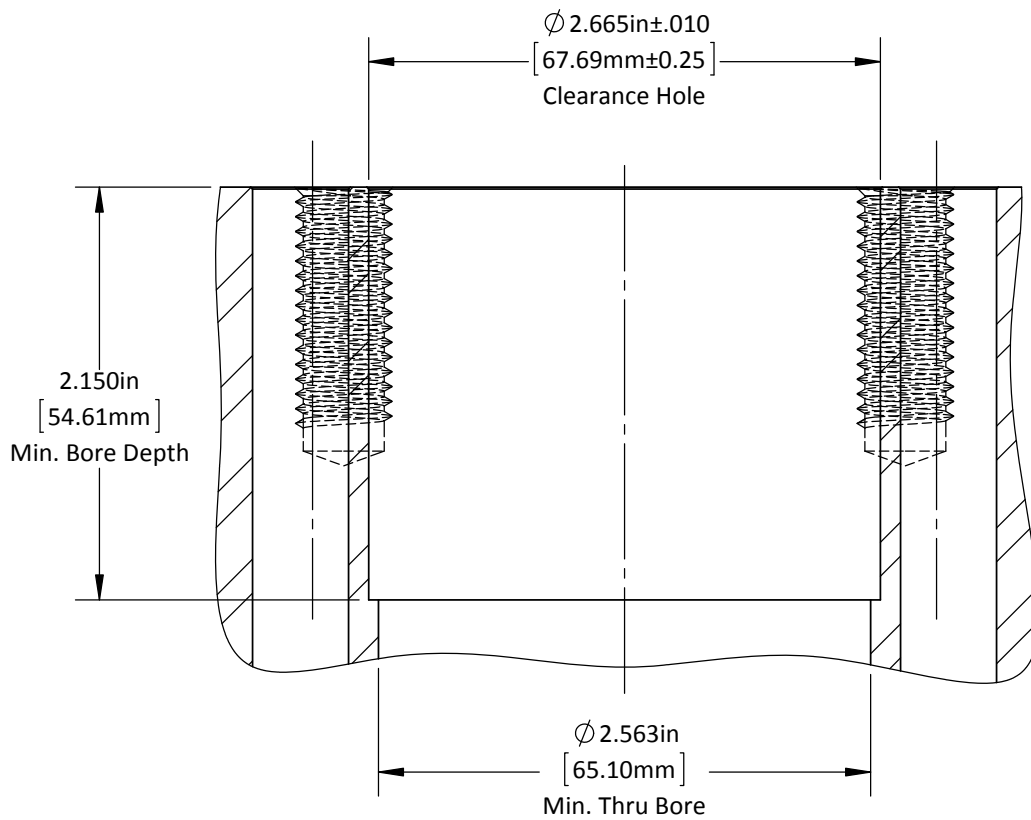
Base-GK205-D3

STANDARD LIFTERS INC



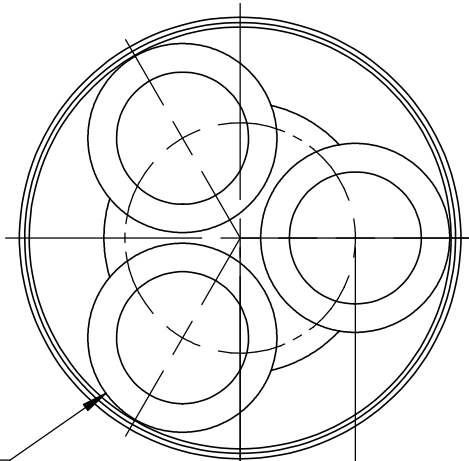
"E" = 1/2"-13 Tap
 "M" = M12-1.75 Tap
 (4) Places

Drill & Ream PF for Dowel
 "E" = $\varnothing .500\text{in}$
 "M" = $\varnothing 12.00\text{mm}$
 (2) Places



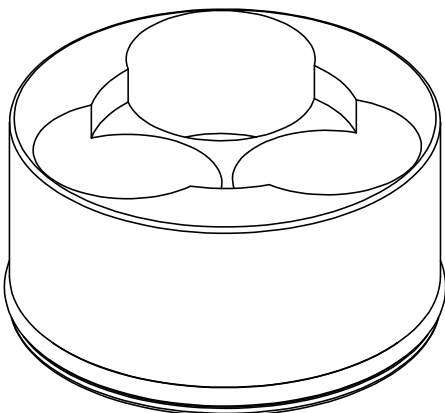
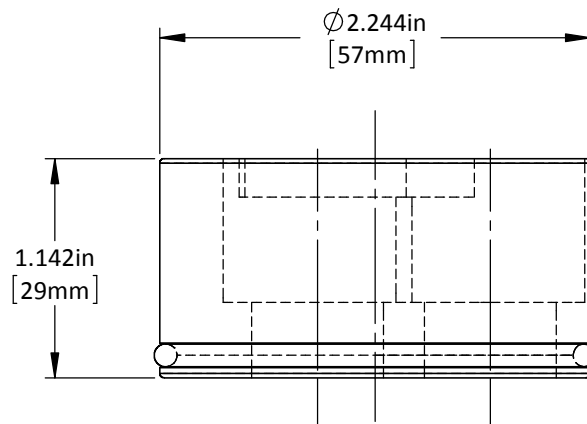
DO NOT SCALE DRAWING	REV 2
This product may be covered by one or more patents or patent applications. See http://www.standardlifters.com/patents.html for details.	

Base-GK205-D3-Machining
STANDARD LIFTERS INC



Drilled & C'bored For
 "E" = 5/8" SHCS
 "M" = M16 SHCS
 (3) Places Equally
 Spaced on a
 \varnothing 1.200in [30.48mm]
 Bolt Circle

.600in Ref.
 [15.24mm]



DO NOT SCALE DRAWING

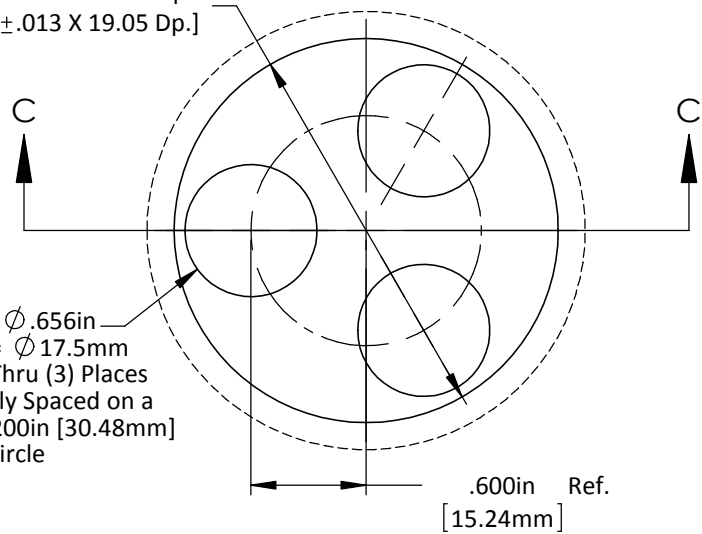
REV 1

This product may be covered by one or more patents or patent applications.
 See <http://www.standardlifters.com/patents.html> for details.

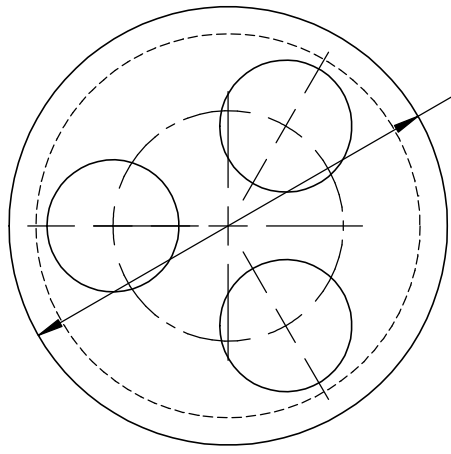
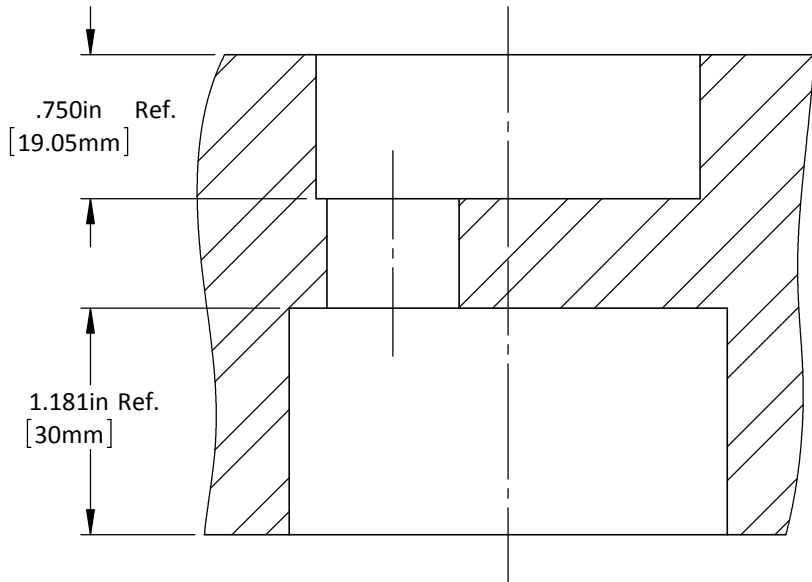
Locking Collar GK205

STANDARD LIFTERS INC

$\phi 2.000\text{in} \pm .0005 \text{ X } .750\text{in Dp.}$
 [$\phi 50.800\text{mm} \pm .013 \text{ X } 19.05 \text{ Dp.}$]



"E" = $\phi .656\text{in}$
 "M" = $\phi 17.5\text{mm}$
 Drill Thru (3) Places
 Equally Spaced on a
 $\phi 1.200\text{in}$ [30.48mm]
 Bolt circle



$\phi 2.283\text{in} \pm .002 \text{ X } 1.181\text{in Dp.}$
 [57.99mm $\pm .05 \text{ X } 30.00\text{mm Dp.}$]

DO NOT SCALE DRAWING | REV 1
 This product may be covered by one or more patents or patent applications.
 See <http://www.standardlifters.com/patents.html> for details.

Locking Collar GK205-Machining
STANDARD LIFTERS INC