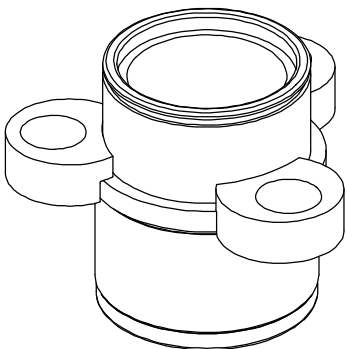
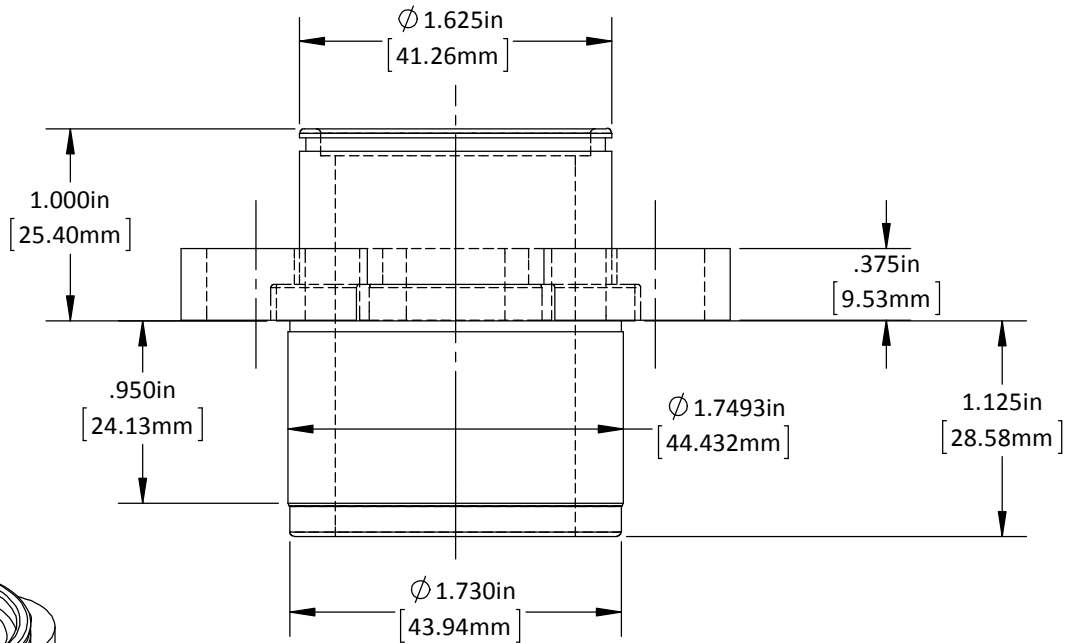
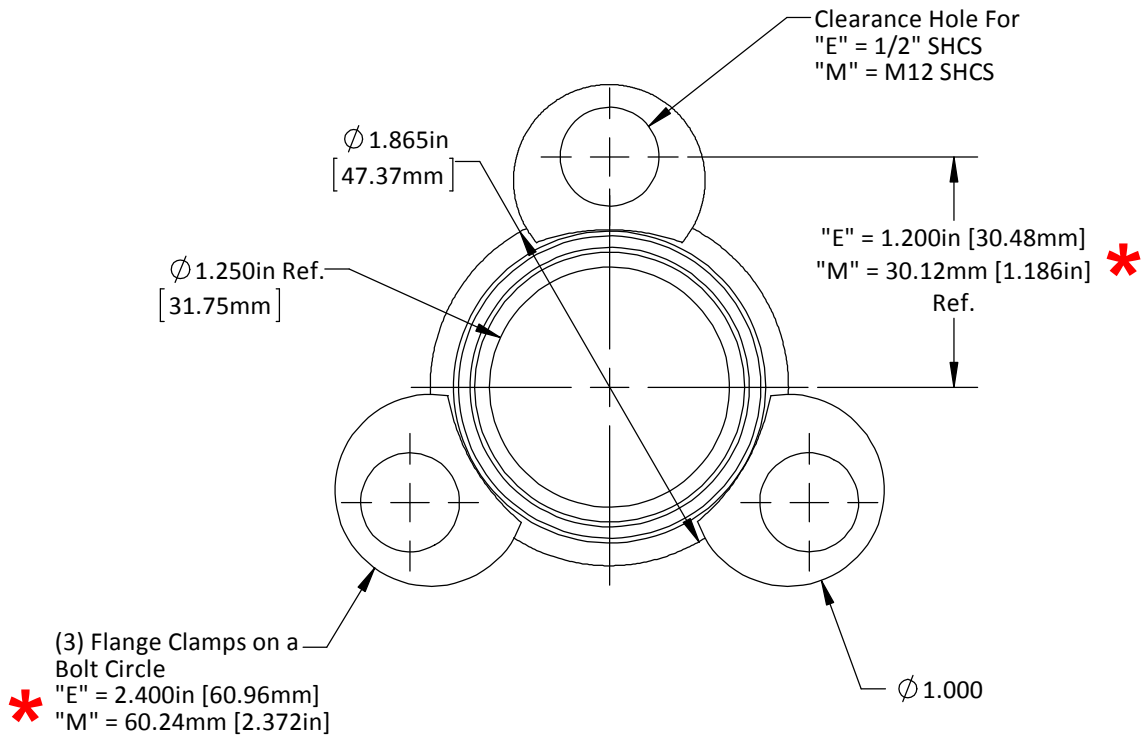


**\* Caution: English & Metric Hole Locations are NOT the Same!**



DO NOT SCALE DRAWING

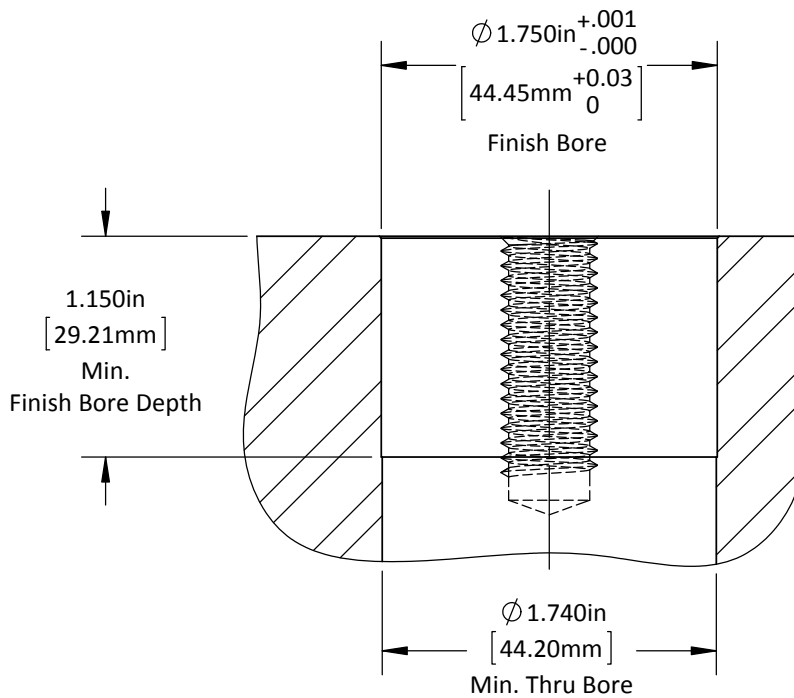
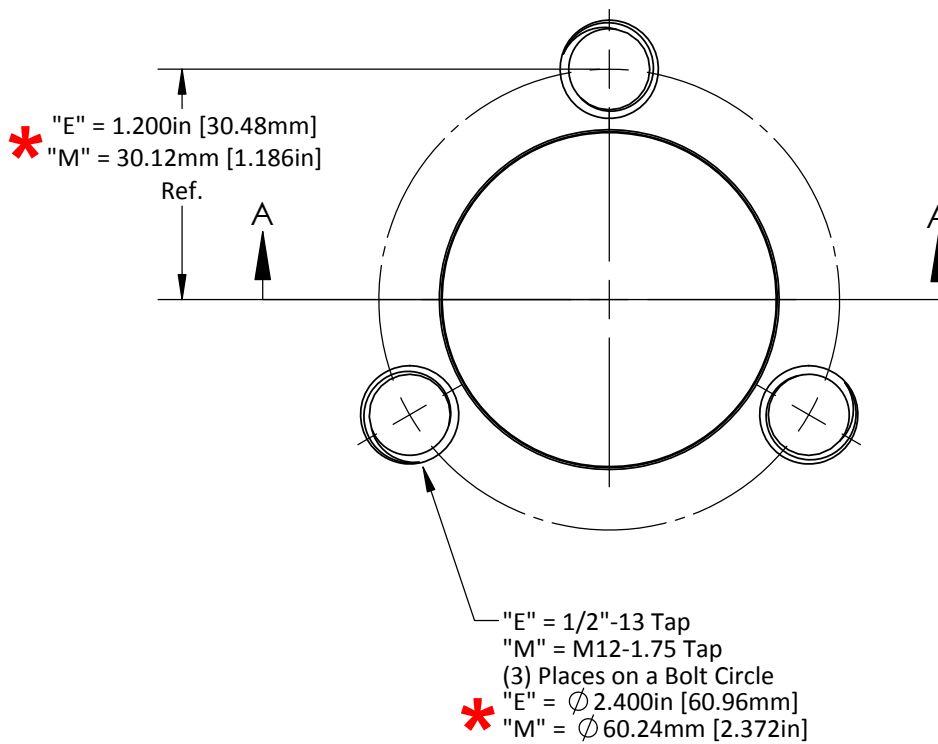
REV 2

This product may be covered by one or more patents or patent applications.  
 See <http://www.standardlifters.com/patents.html> for details.

**Base-GK120-H2**

**STANDARD LIFTERS INC**

**\* Caution: English & Metric Hole Locations are NOT the Same!**



DO NOT SCALE DRAWING

REV 2

This product may be covered by one or more patents or patent applications.  
See <http://www.standardlifters.com/patents.html> for details.

**GK120-H2-Base Machining**

**STANDARD LIFTERS INC**