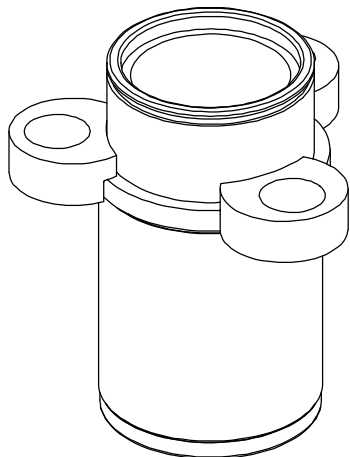
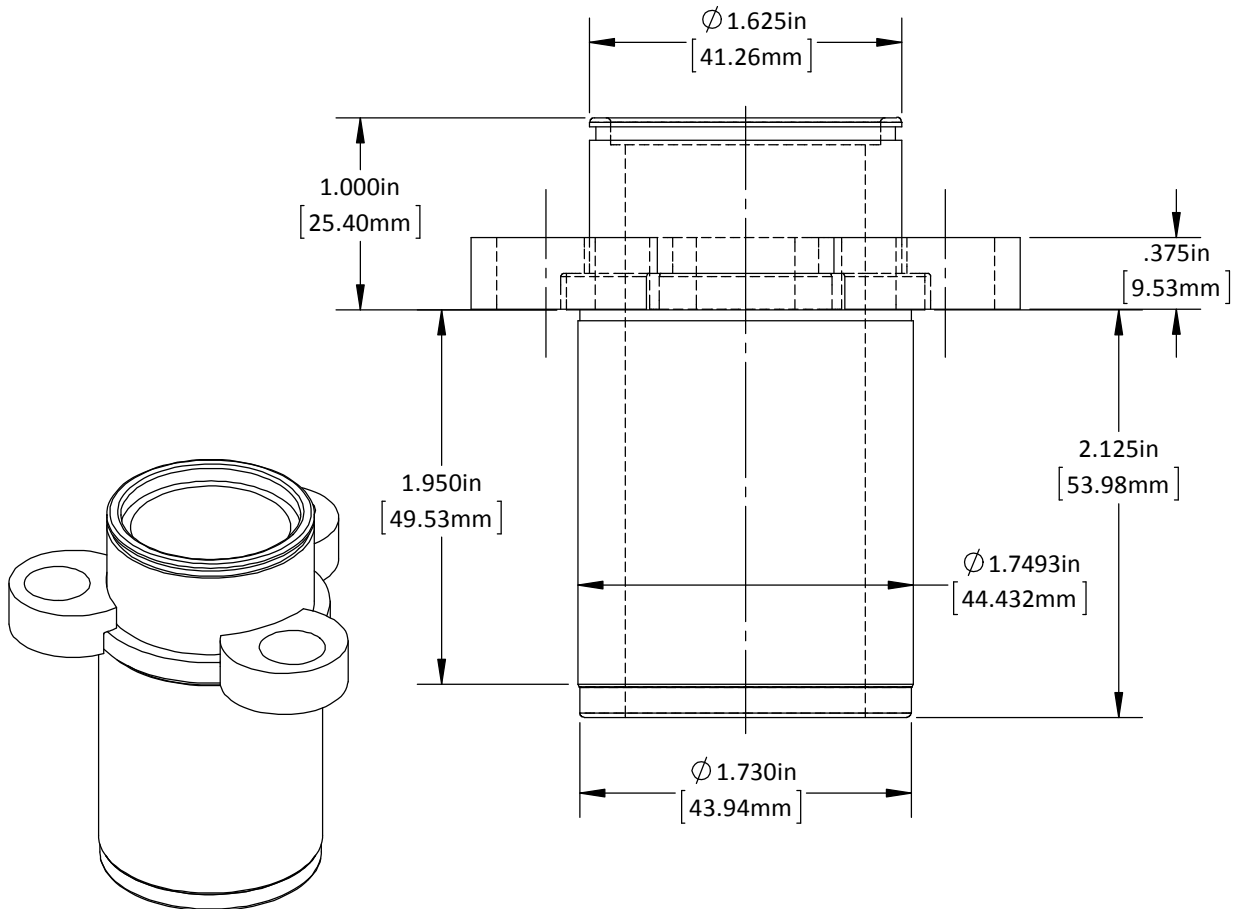
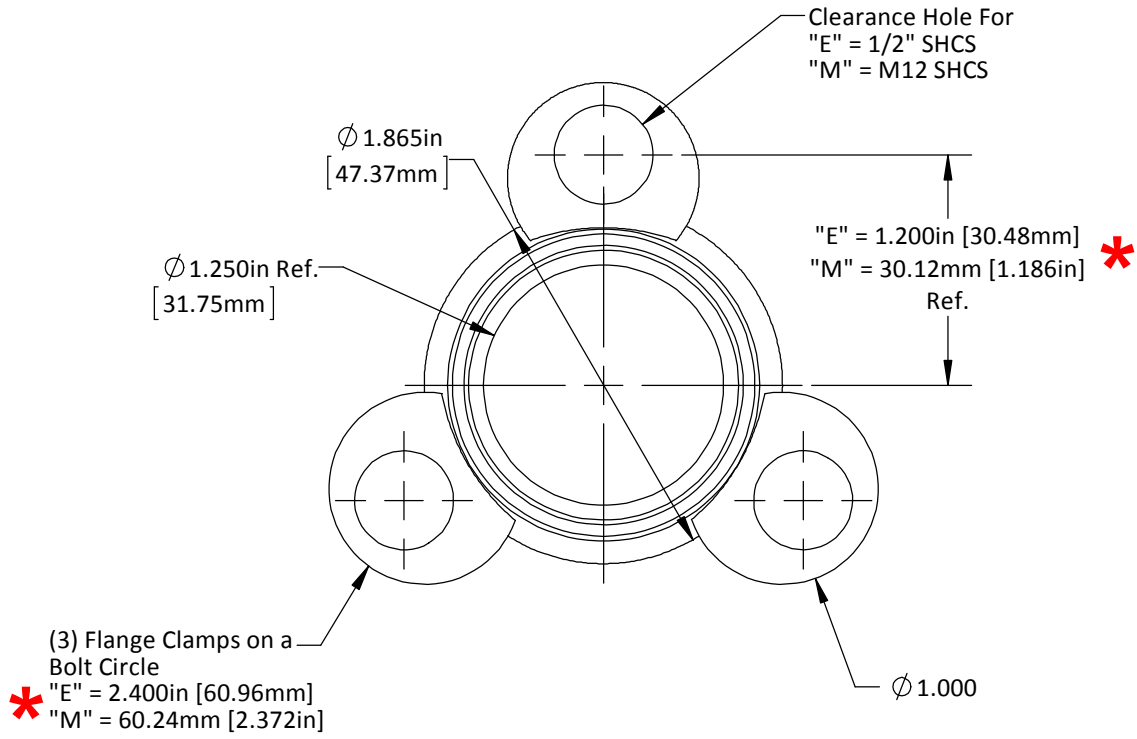
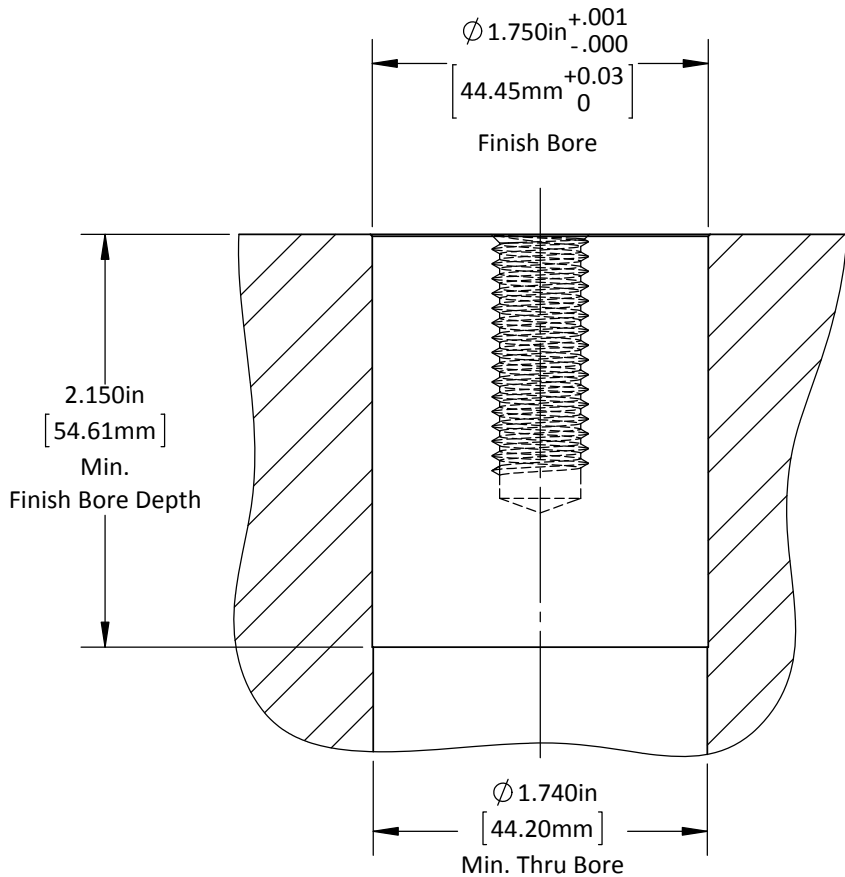
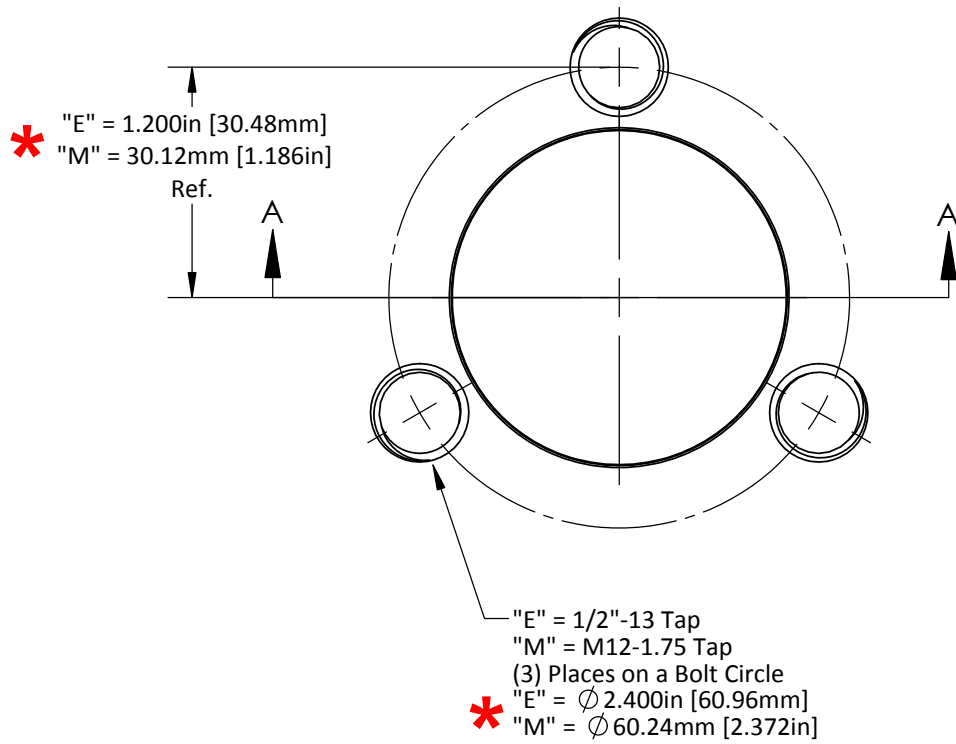


*** Caution: English & Metric Hole Locations are NOT the Same!**



DO NOT SCALE DRAWING	REV 2	Base-GK120-H3 STANDARD LIFTERS INC
This product may be covered by one or more patents or patent applications. See http://www.standardlifters.com/patents.html for details.		

*** Caution: English & Metric Hole Locations are NOT the Same!**



DO NOT SCALE DRAWING	REV 2	GK120-H3-Base Machining STANDARD LIFTERS INC
This product may be covered by one or more patents or patent applications. See http://www.standardlifters.com/patents.html for details.		