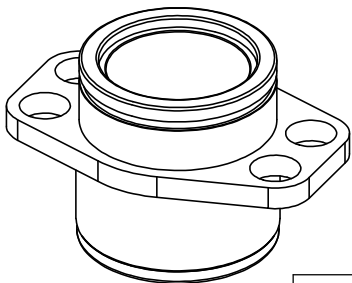
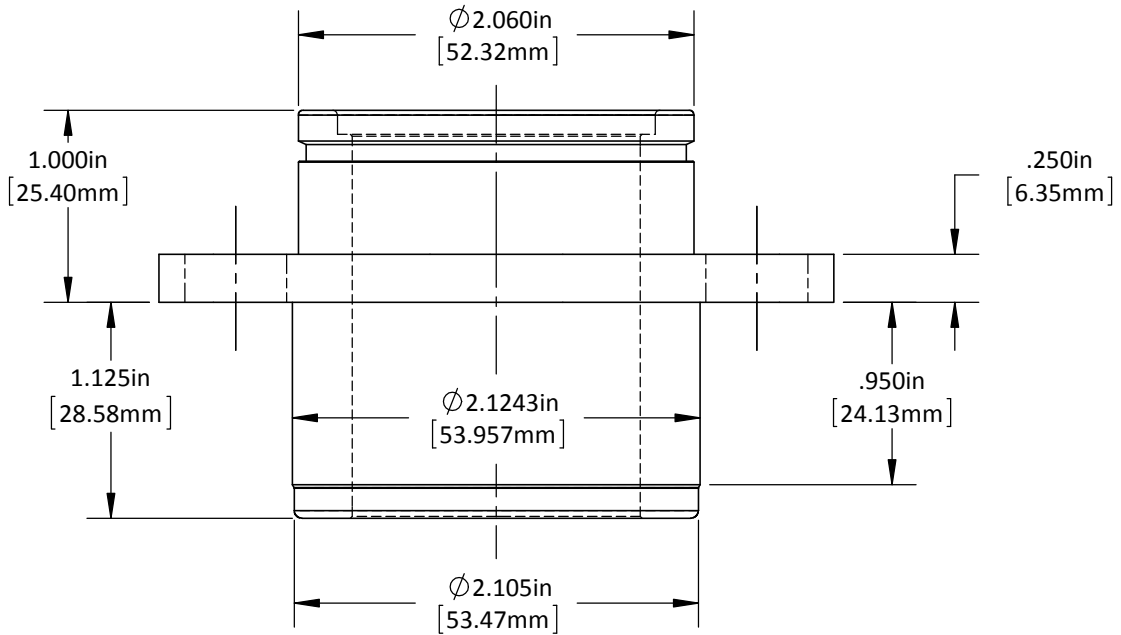
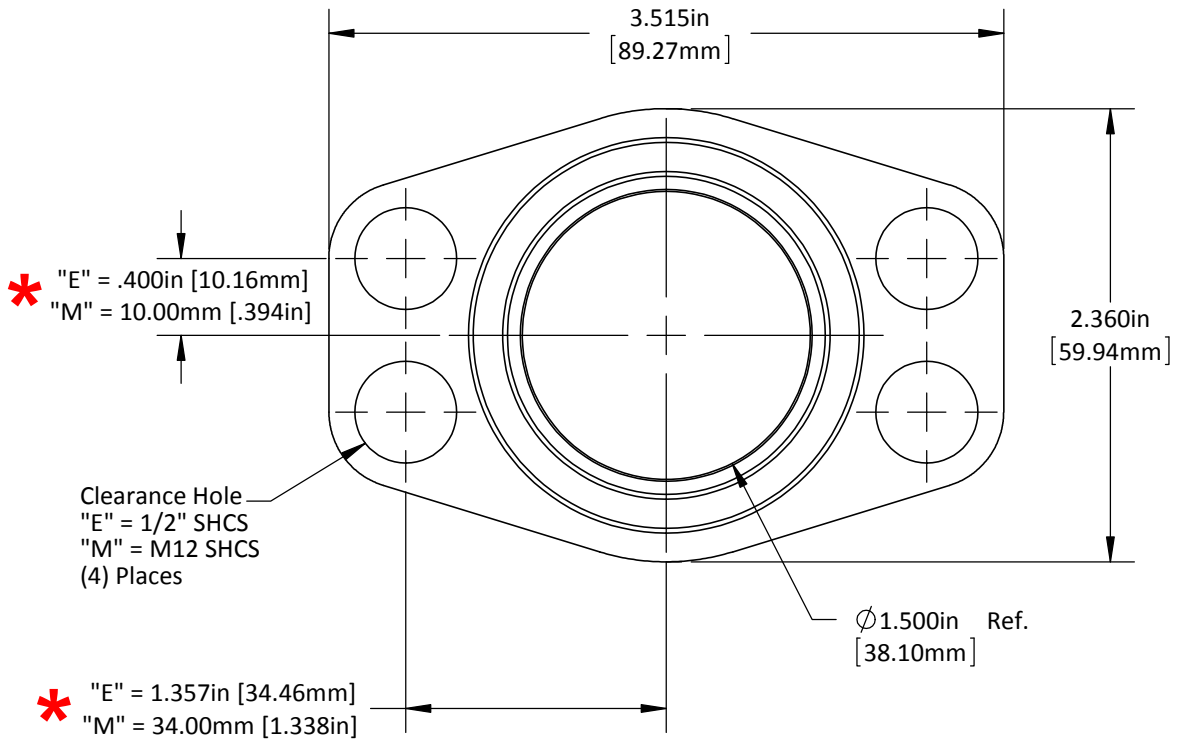
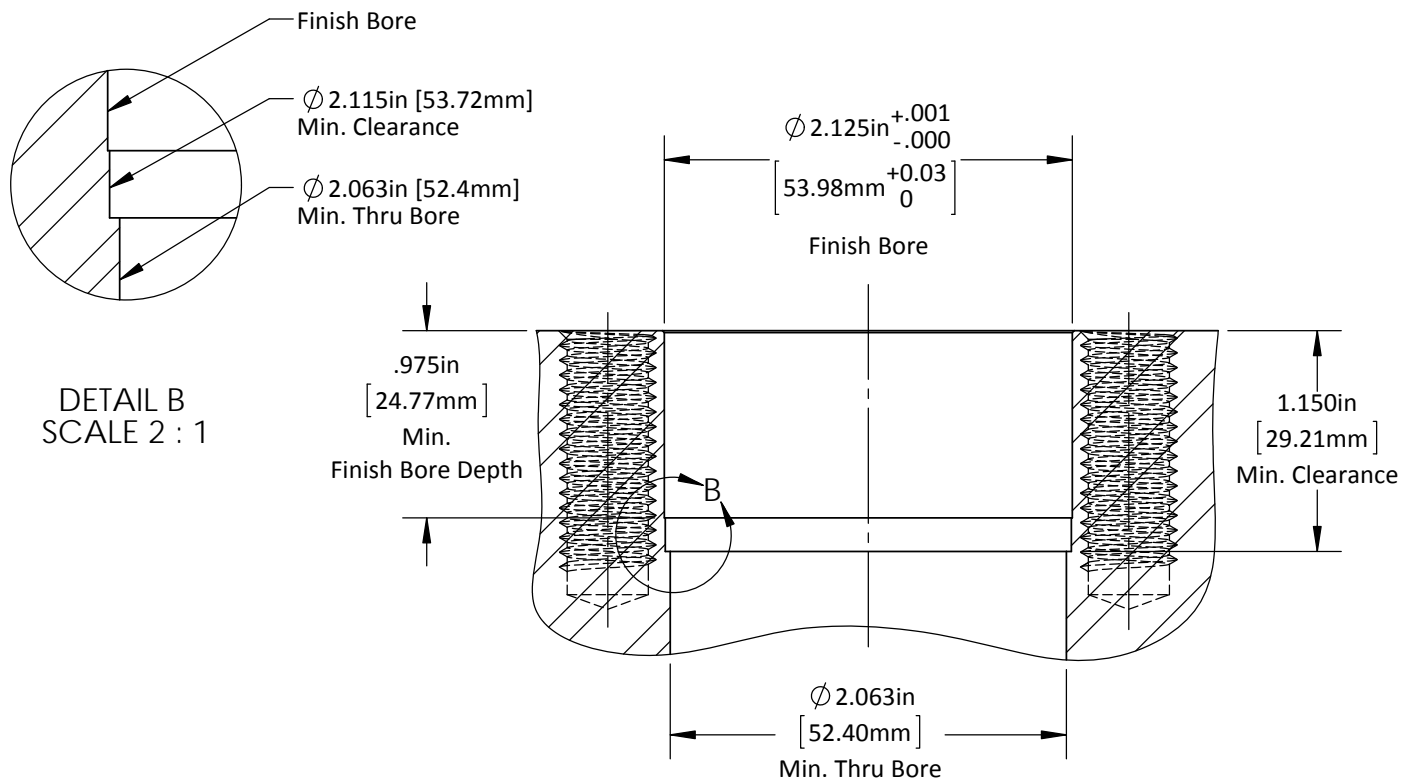
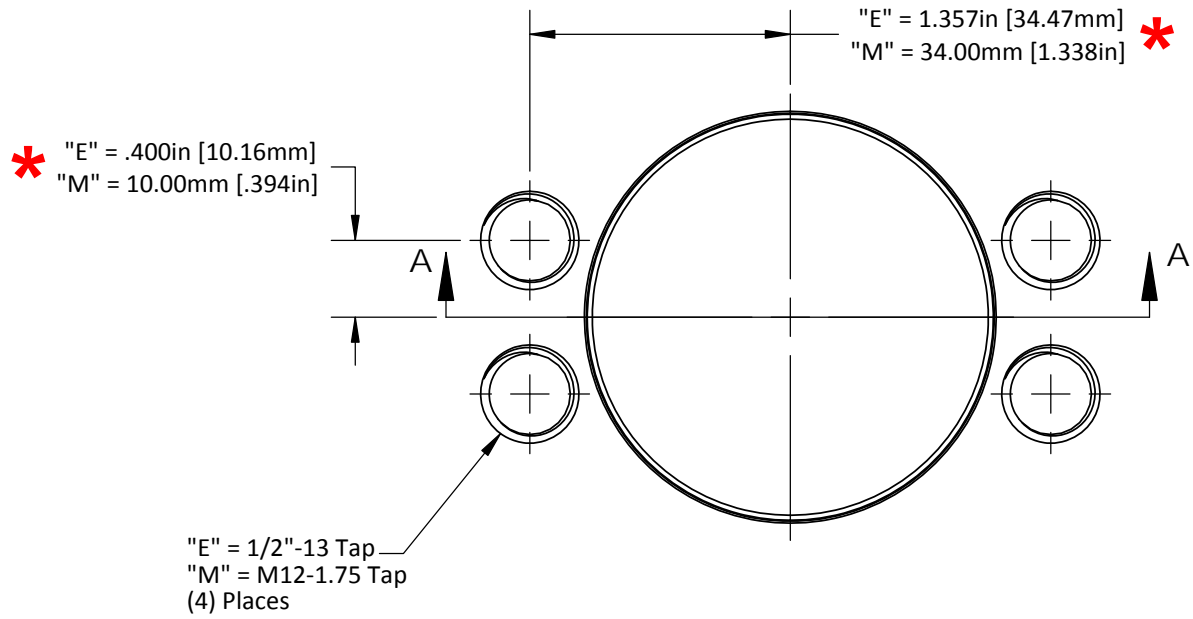


***Caution: English & Metric Hole Locations are NOT the Same!**



DO NOT SCALE DRAWING	REV 1	Base-GK150-L2
This product may be covered by one or more patents or patent applications. See http://www.standardlifters.com/patents.html for details.		

***Caution: English & Metric Hole Locations are NOT the Same!**



DO NOT SCALE DRAWING	REV 2
This product may be covered by one or more patents or patent applications. See http://www.standardlifters.com/patents.html for details.	

GK150-L2-Base Machining
STANDARD LIFTERS INC