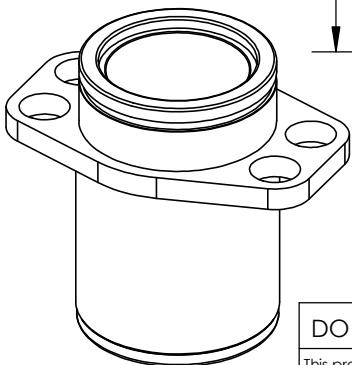
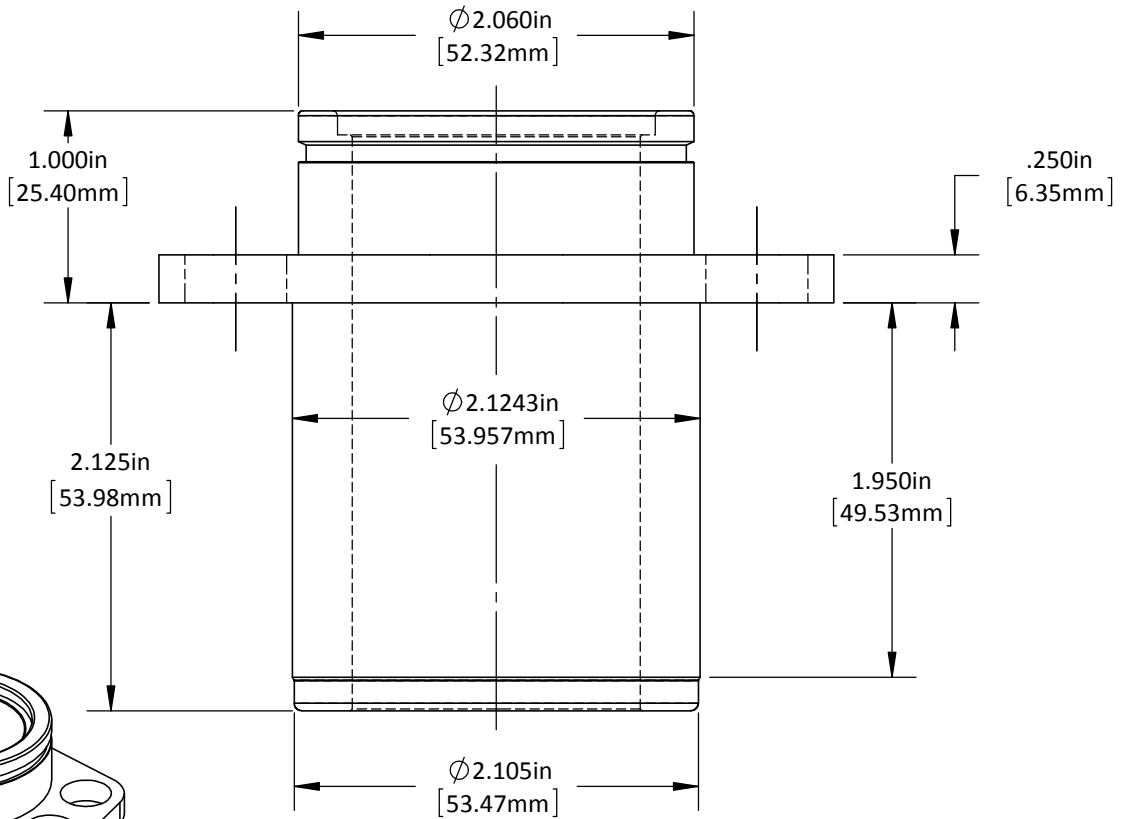
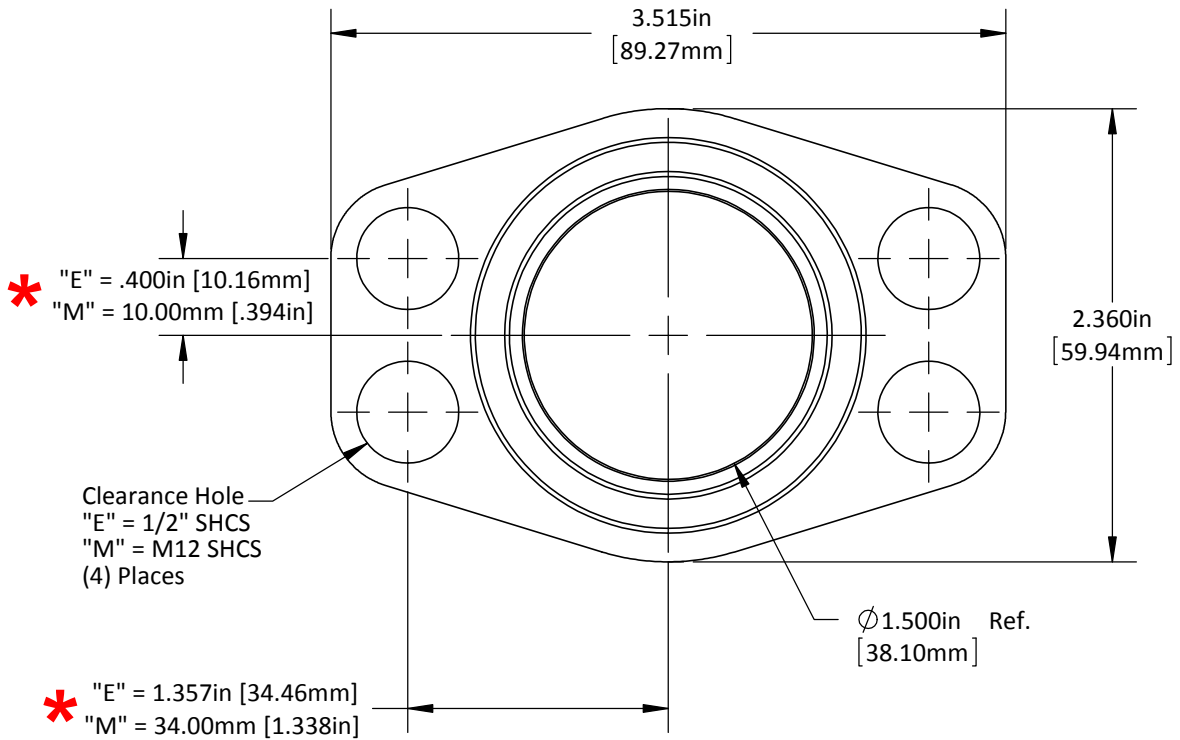


**\*Caution: English & Metric Hole Locations are NOT the Same!**



DO NOT SCALE DRAWING

REV 1

This product may be covered by one or more patents or patent applications. See <http://www.standardlifters.com/patents.html> for details.

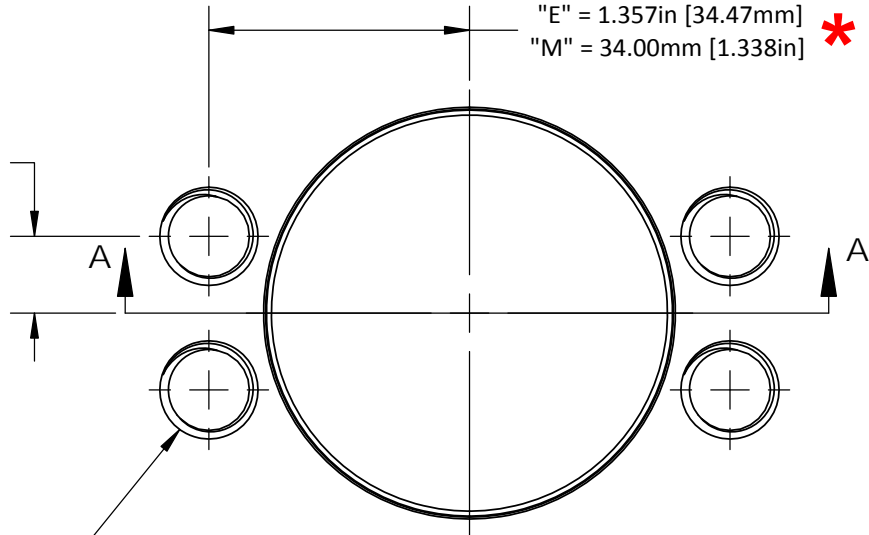
**Base-GK150-L3**

**STANDARD LIFTERS INC**

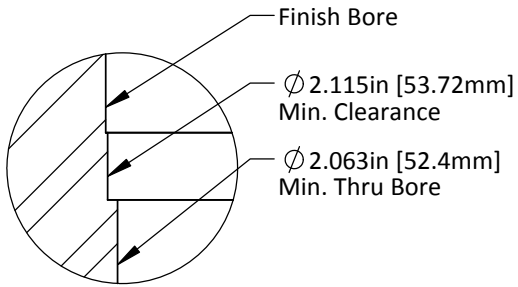
**\*Caution: English & Metric Hole Locations are NOT the Same!**

\* "E" = .400in [10.16mm]  
 "M" = 10.00mm [.394in]

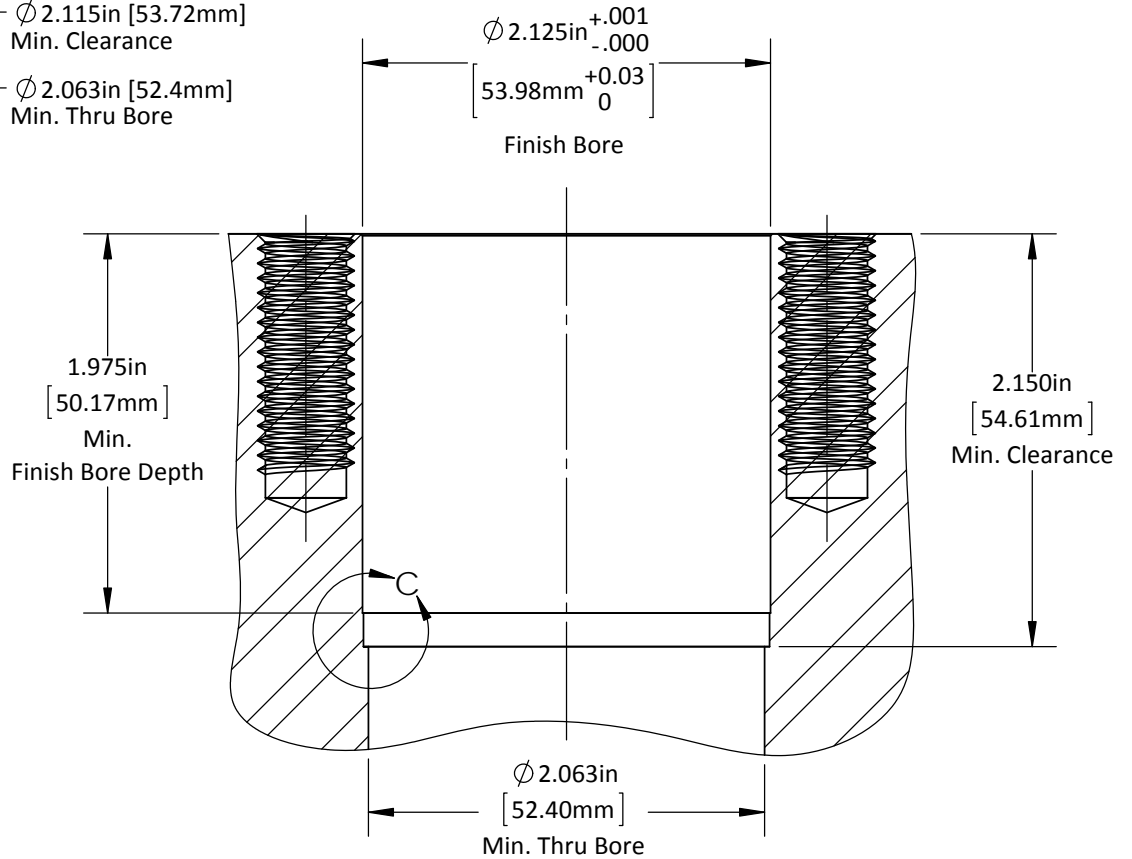
"E" = 1.357in [34.47mm] \*  
 "M" = 34.00mm [1.338in] \*



"E" = 1/2"-13 Tap  
 "M" = M12-1.75 Tap  
 (4) Places



DETAIL C  
 SCALE 2 : 1



DO NOT SCALE DRAWING

REV 2

This product may be covered by one or more patents or patent applications.  
 See <http://www.standardlifters.com/patents.html> for details.

**GK150-L3-Base Machining**

**STANDARD LIFTERS INC**