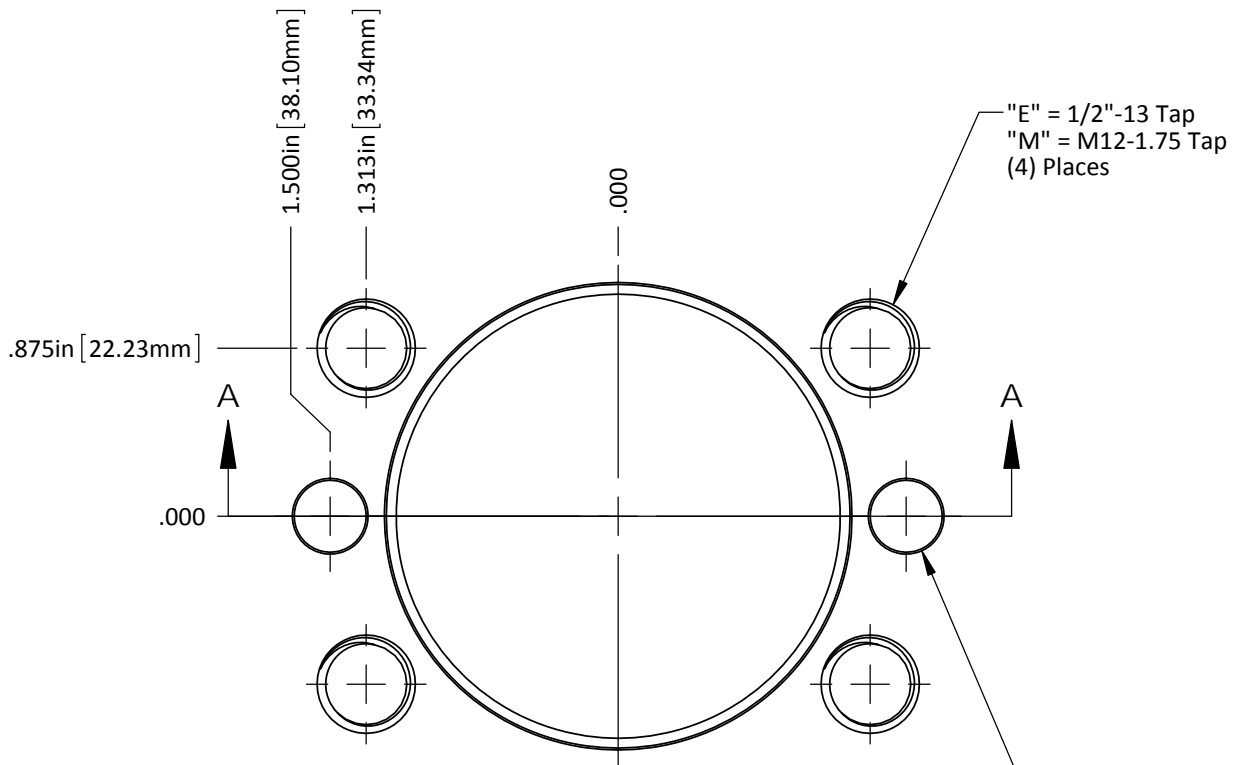


DO NOT SCALE DRAWING REV 1

This product may be covered by one or more patents or patent applications.
 See <http://www.standardlifters.com/patents.html> for details.

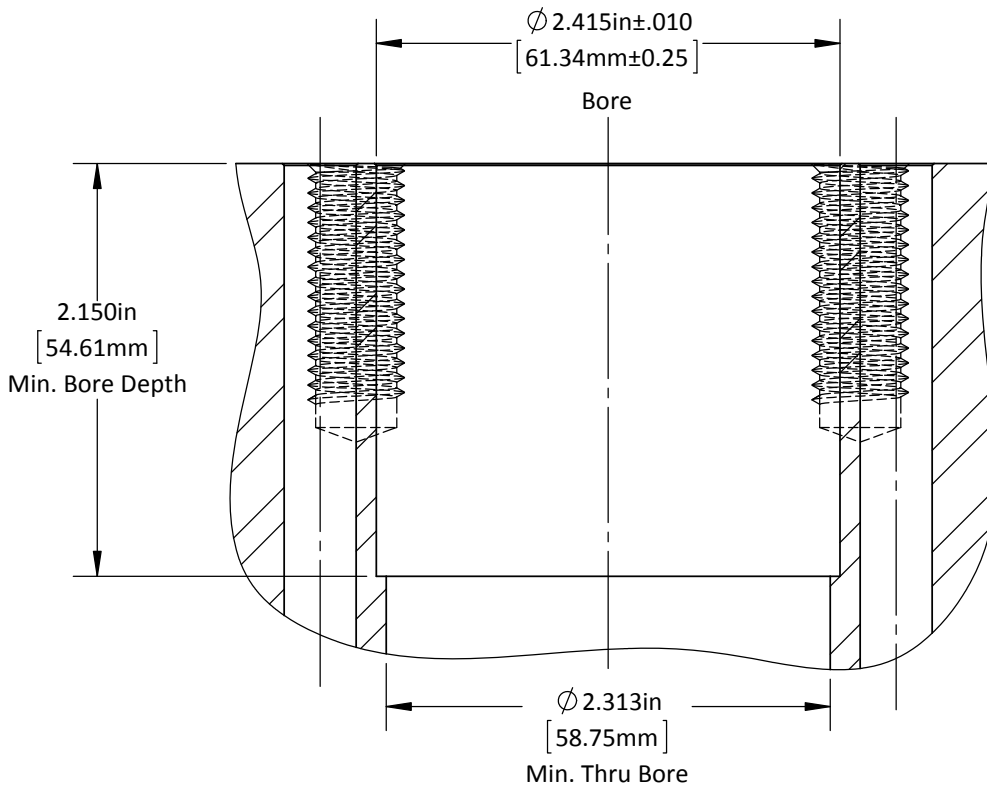
Base-GK180-D3

STANDARD LIFTERS INC



"E" = 1/2"-13 Tap
"M" = M12-1.75 Tap
(4) Places

Drill & Ream PF for Dowel
"E" = $\phi .375$ in
"M" = $\phi 10.00$ mm
(2) Places



DO NOT SCALE DRAWING	REV 2
This product may be covered by one or more patents or patent applications. See http://www.standardlifters.com/patents.html for details.	

GK180-D3-Base Machining
STANDARD LIFTERS INC