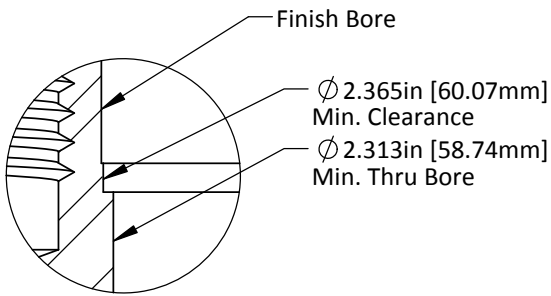
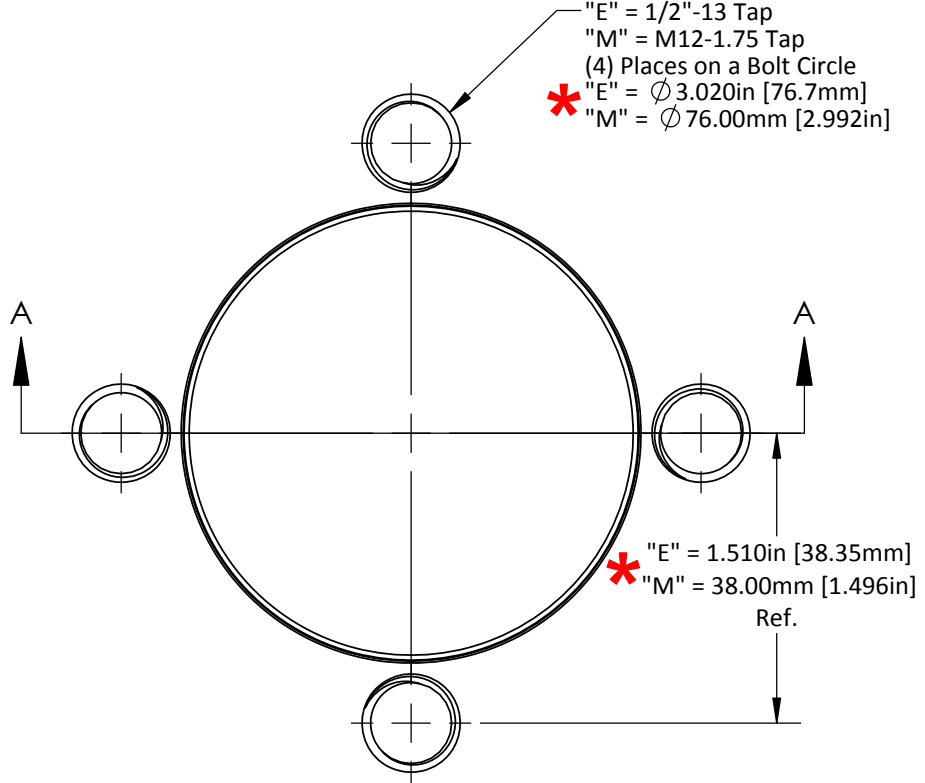


*** Caution: English & Metric Hole Locations are NOT the Same!**

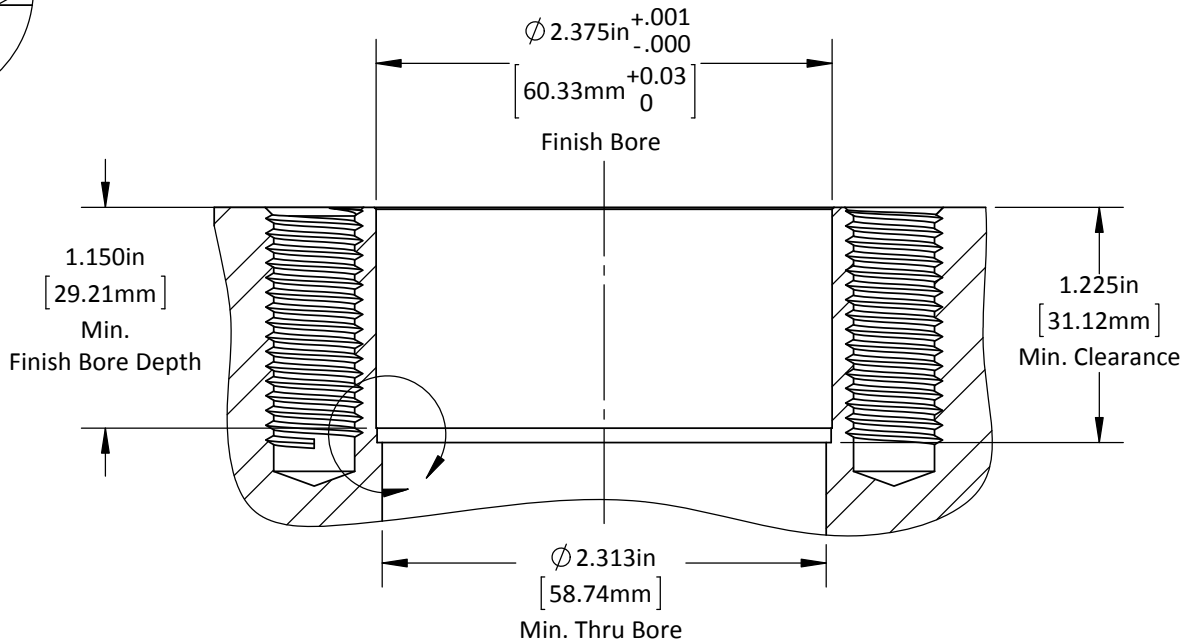
DO NOT SCALE DRAWING	REV 2	Base-GK180-H2 STANDARD LIFTERS INC
This product may be covered by one or more patents or patent applications. See http://www.standardlifters.com/patents.html for details.		

*** Caution: English & Metric Hole Locations are NOT the Same!**

"E" = 1/2"-13 Tap
 "M" = M12-1.75 Tap
 (4) Places on a Bolt Circle
 * "E" = \varnothing 3.020in [76.7mm]
 * "M" = \varnothing 76.00mm [2.992in]



DETAIL SCALE :



DO NOT SCALE DRAWING	REV 2
This product may be covered by one or more patents or patent applications. See http://www.standardlifters.com/patents.html for details.	

GK180-H2-Base Machining
STANDARD LIFTERS INC