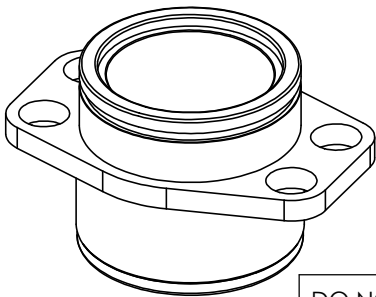
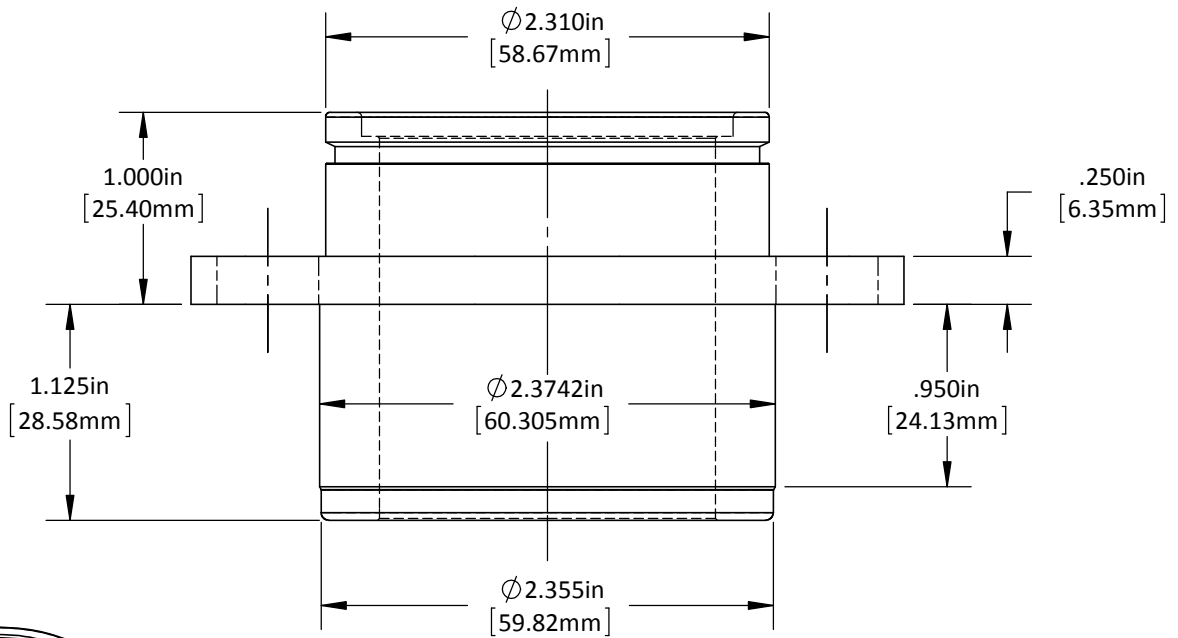
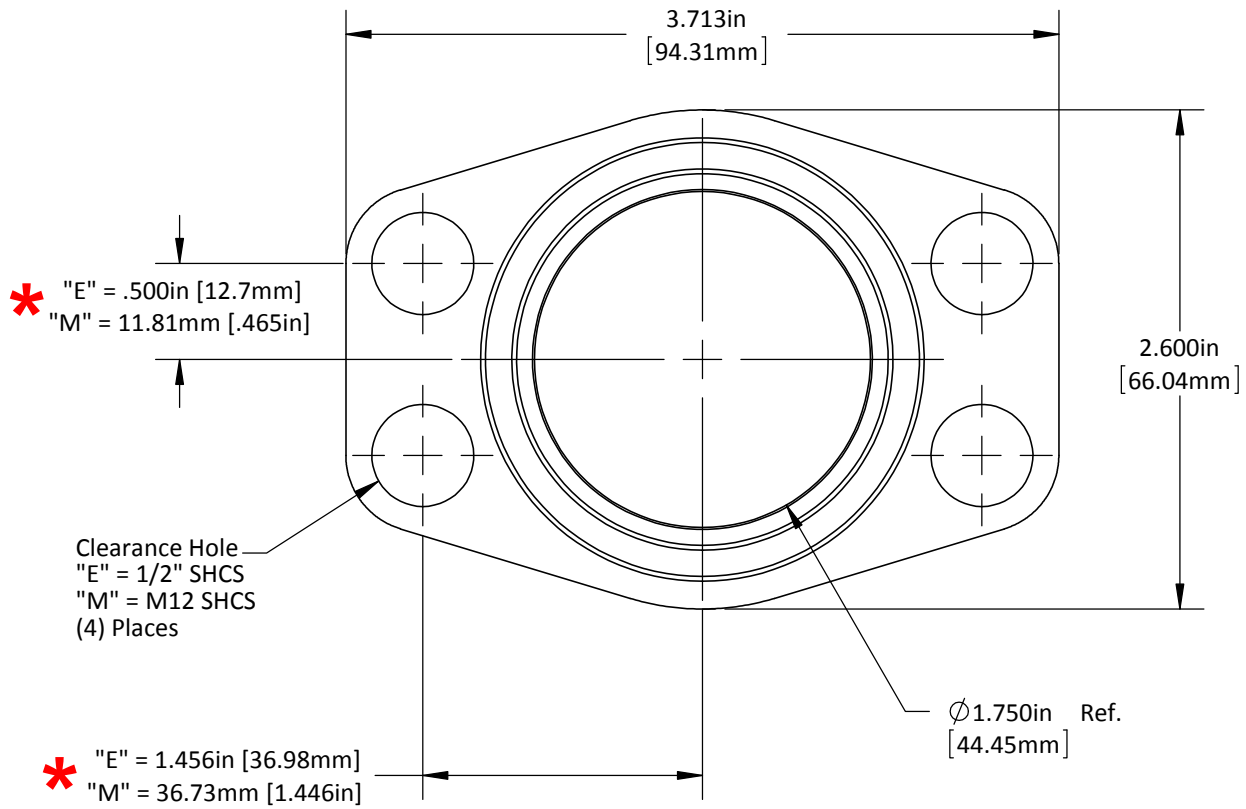


***Caution: English & Metric Hole Locations are NOT the Same!**



DO NOT SCALE DRAWING

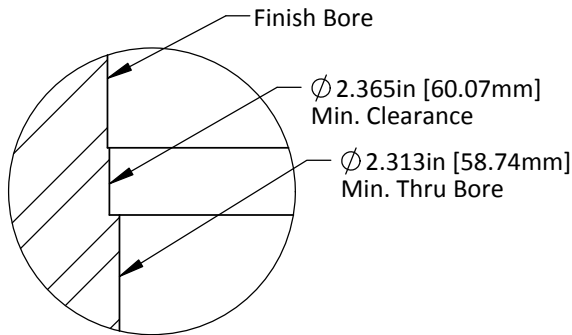
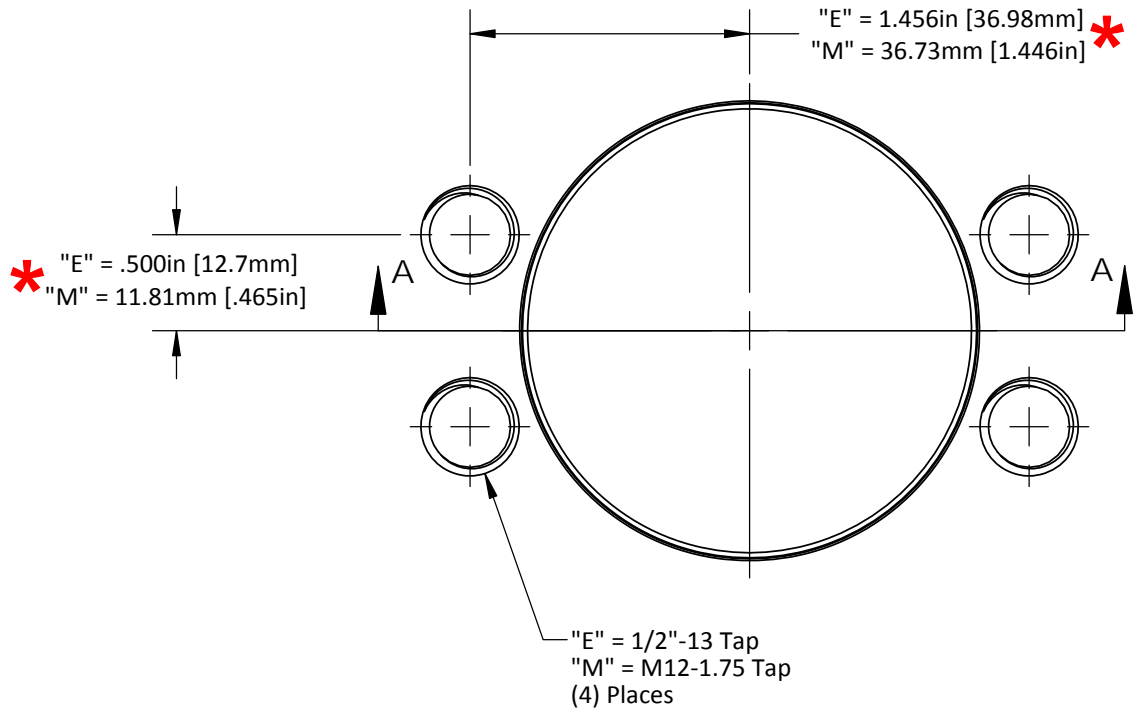
REV 1

This product may be covered by one or more patents or patent applications.
See <http://www.standardlifters.com/patents.html> for details.

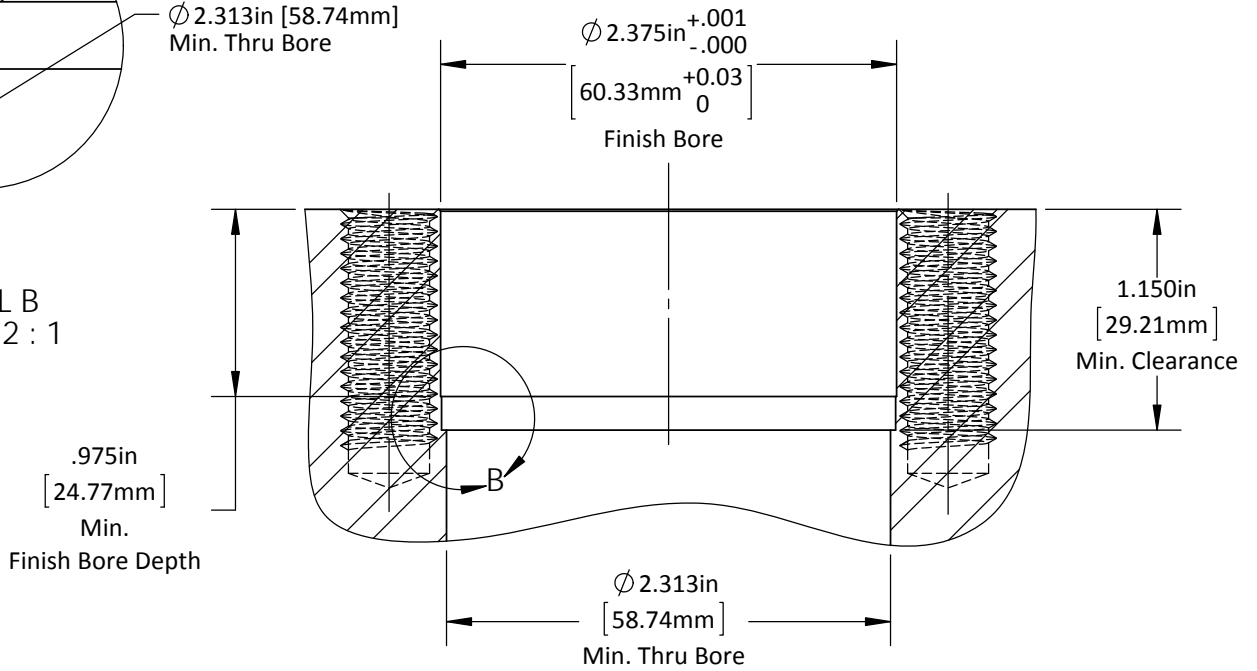
Base-GK180-L2

STANDARD LIFTERS INC

***Caution: English & Metric Hole Locations are NOT the Same!**



DETAIL B
 SCALE 2 : 1



| | | |
|--|-------|---|
| DO NOT SCALE DRAWING | REV 2 | GK180-L2-Base Machining STANDARD LIFTERS INC |
| This product may be covered by one or more patents or patent applications. See http://www.standardlifters.com/patents.html for details. | | |