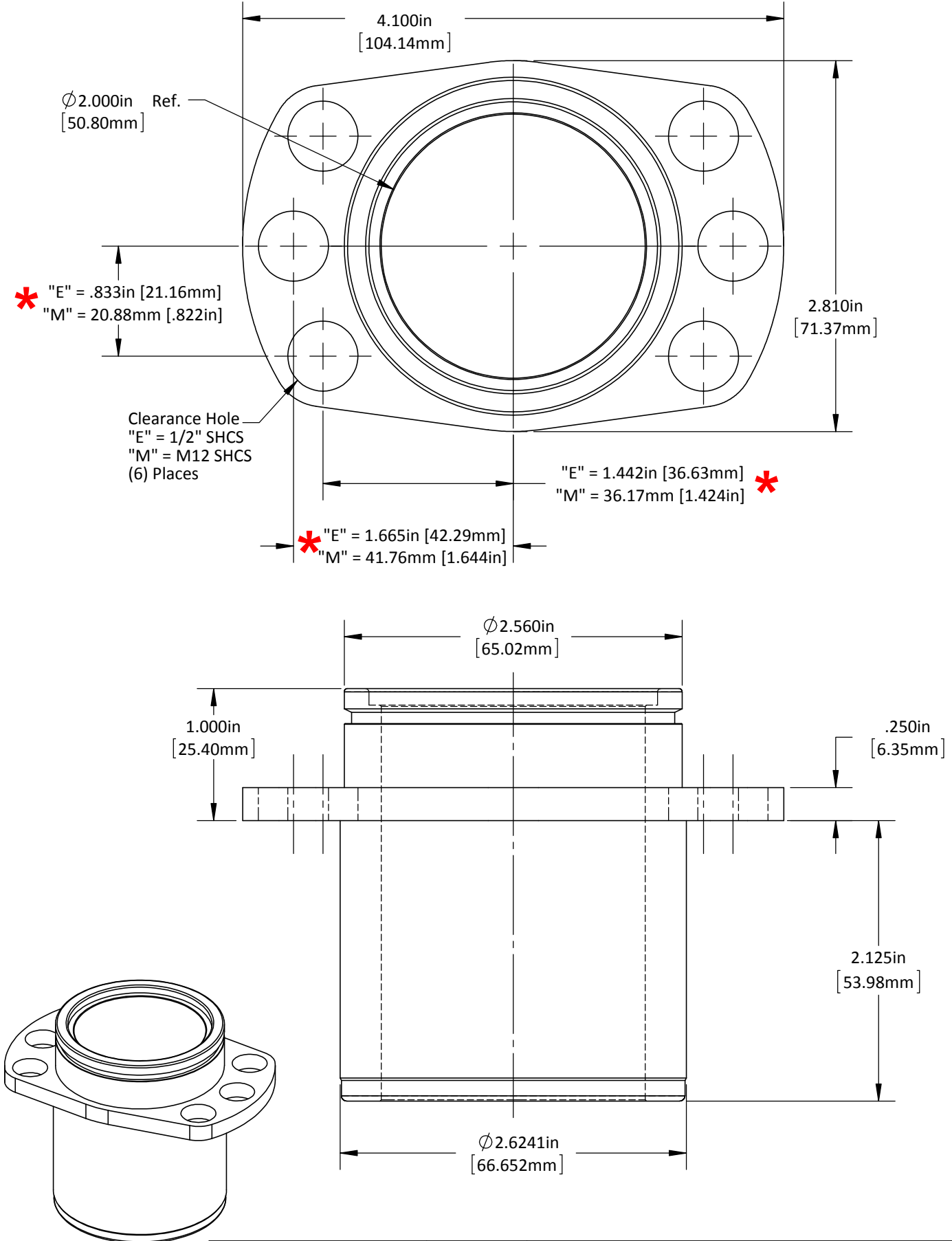


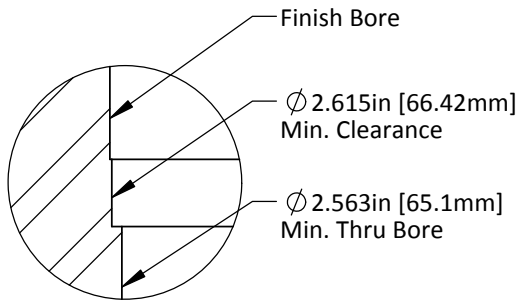
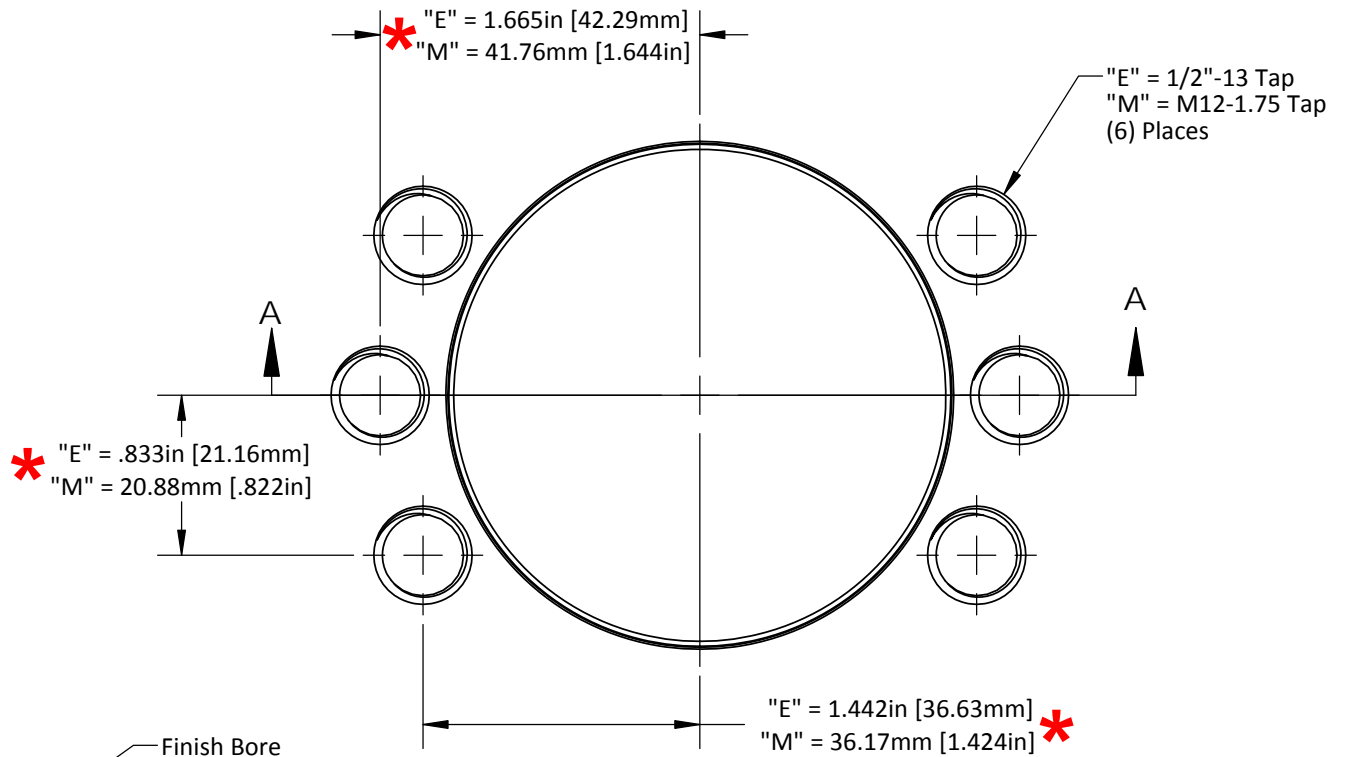
***Caution: English & Metric Hole Locations are NOT the Same!**



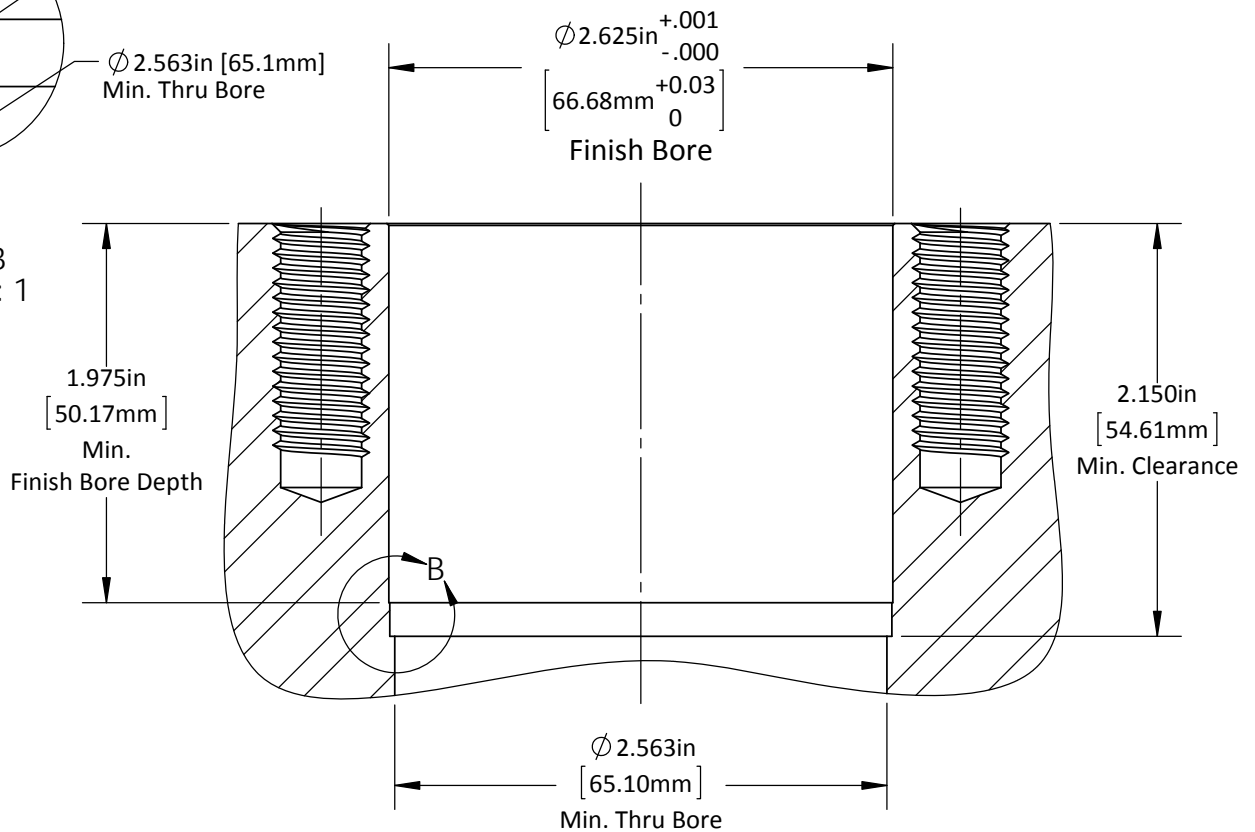
DO NOT SCALE DRAWING | REV 1
 This product may be covered by one or more patents or patent applications.
 See <http://www.standardlifters.com/patents.html> for details.

Base-GK200-L3
STANDARD LIFTERS INC

***Caution: English & Metric Hole Locations are NOT the Same!**



DETAIL B
SCALE 2 : 1



DO NOT SCALE DRAWING

REV 2

This product may be covered by one or more patents or patent applications. See <http://www.standardlifters.com/patents.html> for details.

Base-GK200-L3-Machining

STANDARD LIFTERS INC