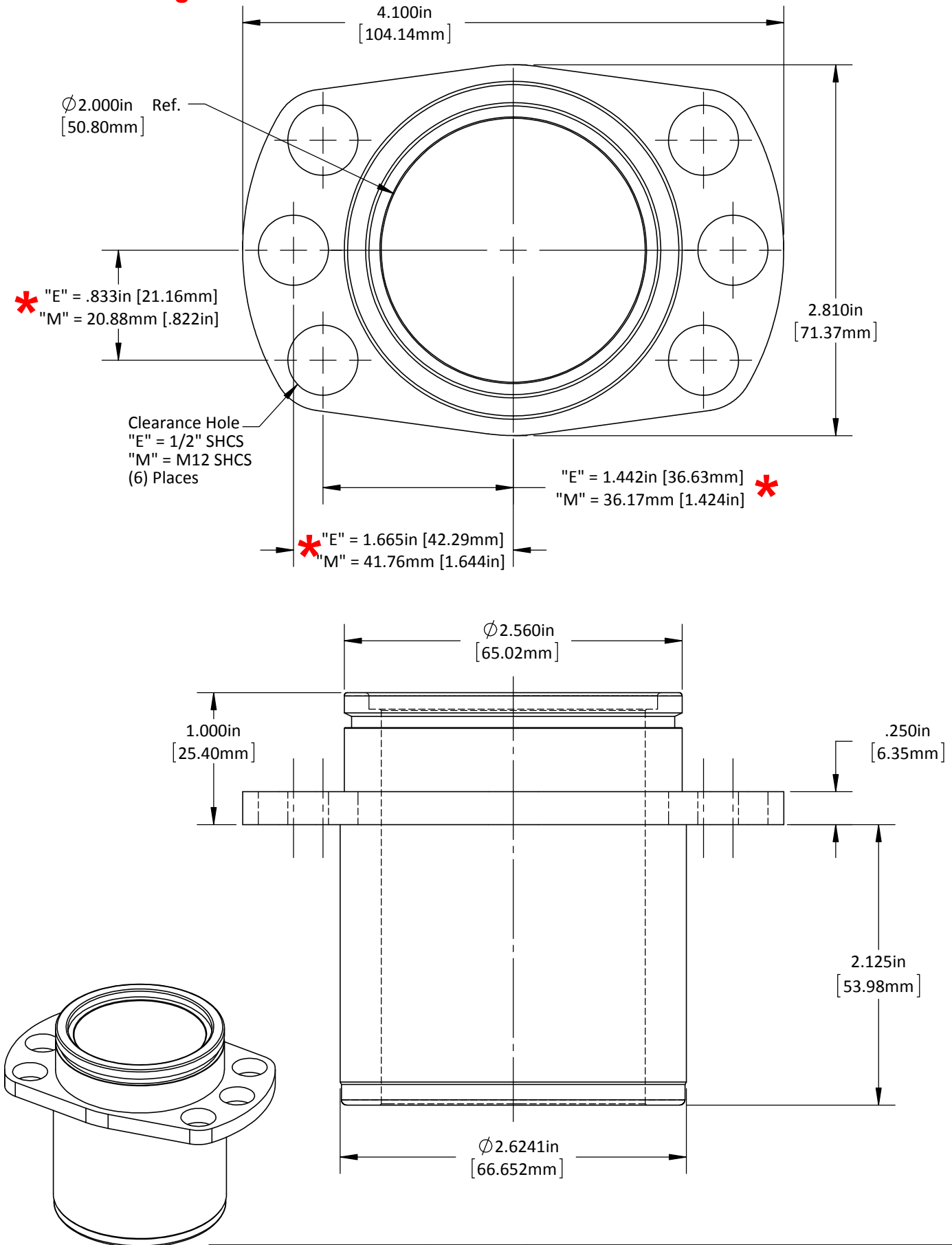


***Caution: English & Metric Hole Locations are NOT the Same!**



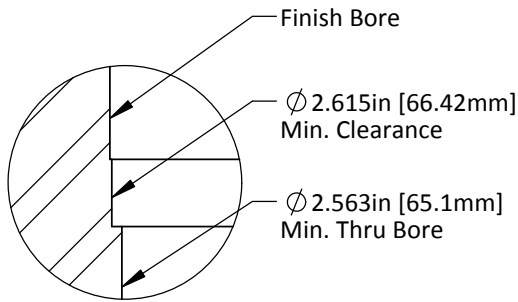
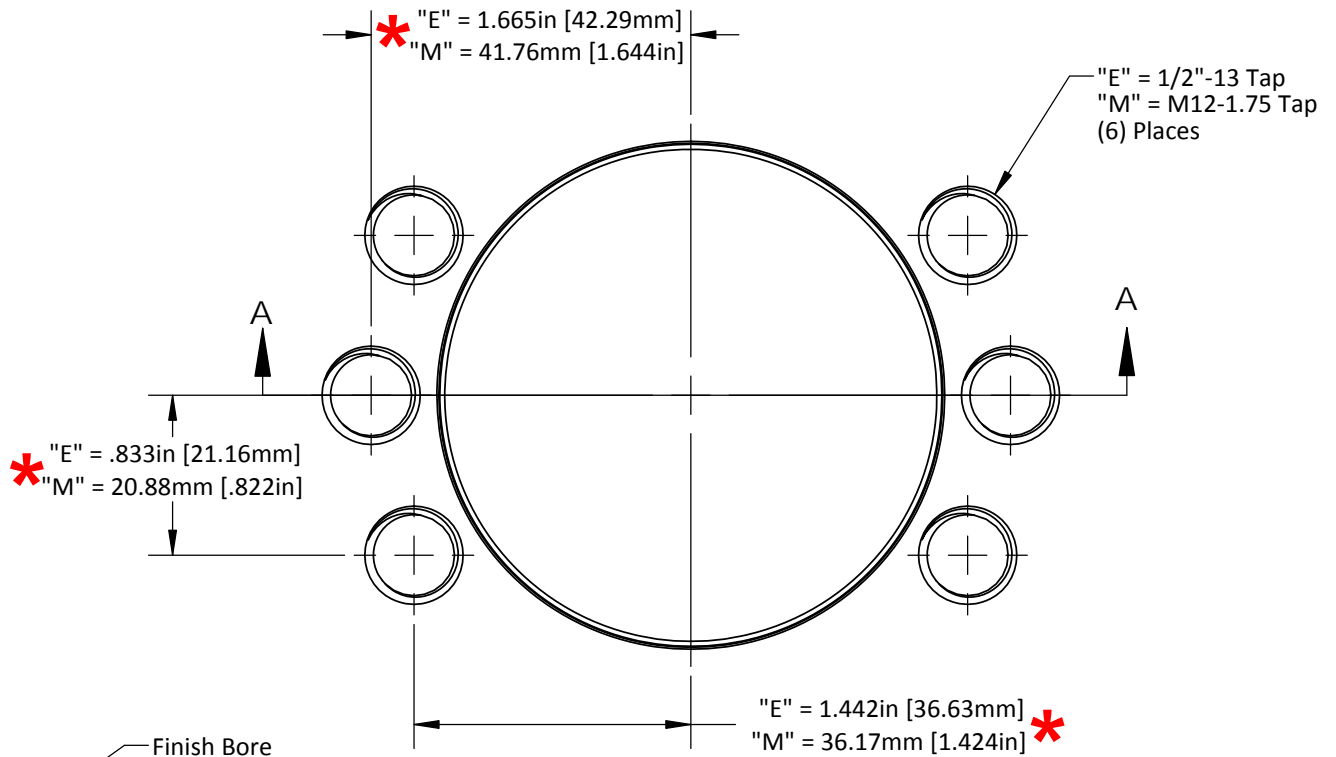
DO NOT SCALE DRAWING REV 1

This product may be covered by one or more patents or patent applications.
See <http://www.standardlifters.com/patents.html> for details.

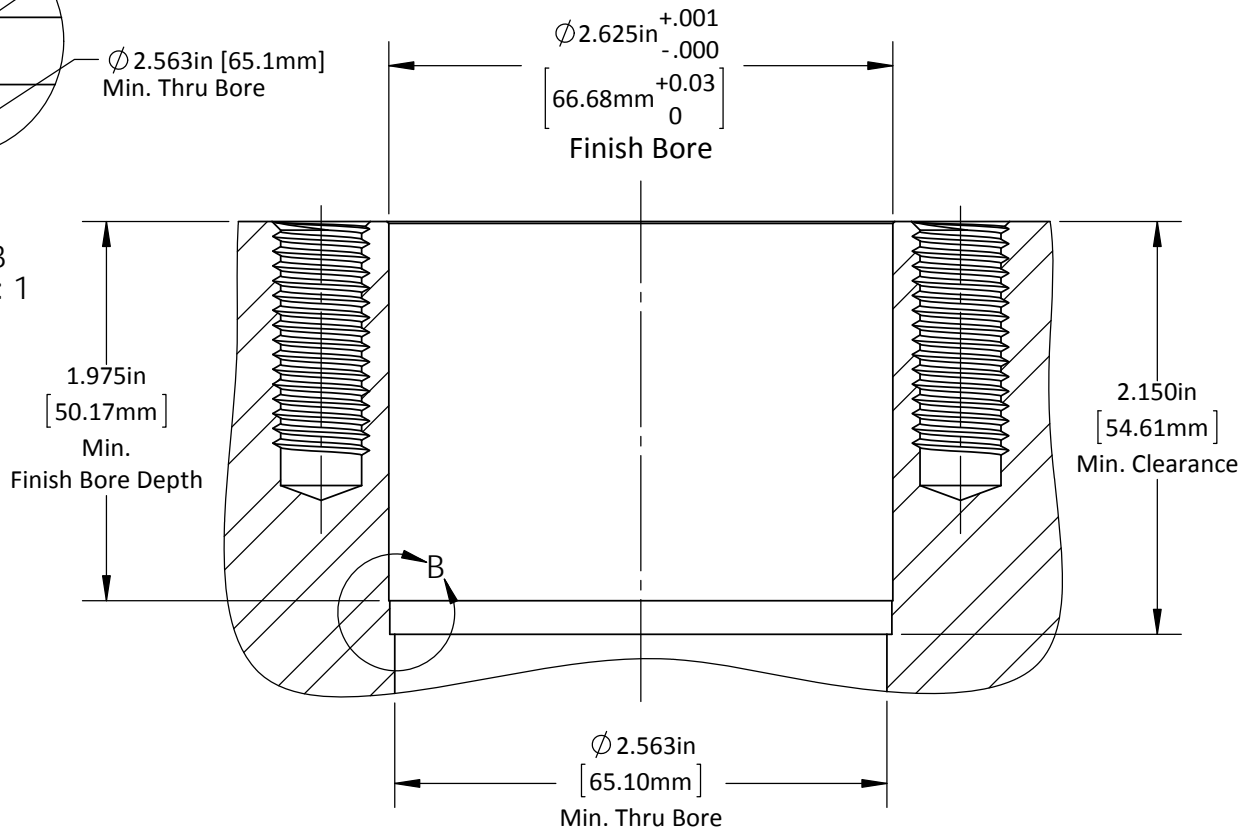
Base-GK205-L3

STANDARD LIFTERS INC

***Caution: English & Metric Hole Locations are NOT the Same!**



DETAIL B
SCALE 2 : 1



DO NOT SCALE DRAWING

REV 2

This product may be covered by one or more patents or patent applications. See <http://www.standardlifters.com/patents.html> for details.

Base-GK205-L3-Machining

STANDARD LIFTERS INC