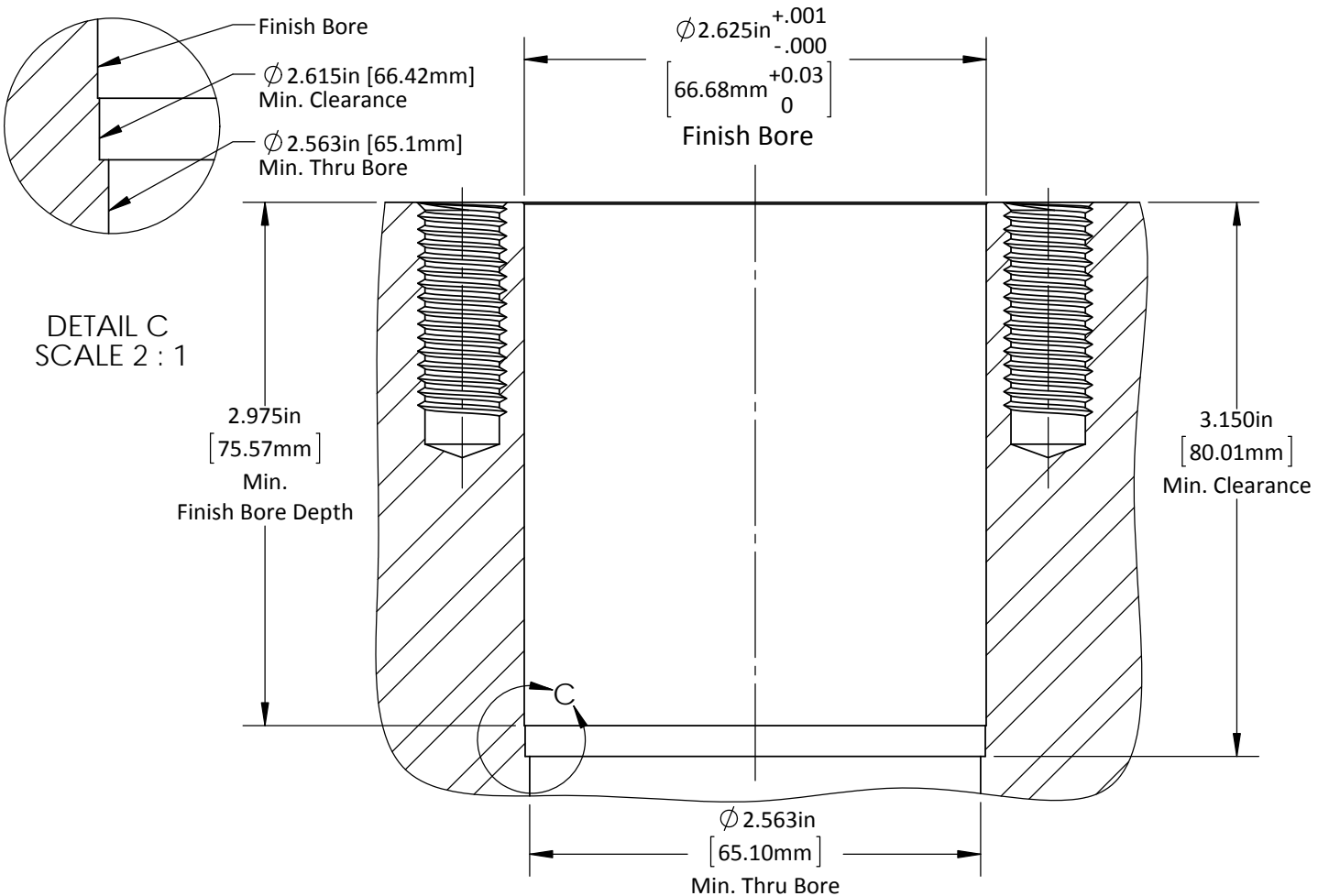
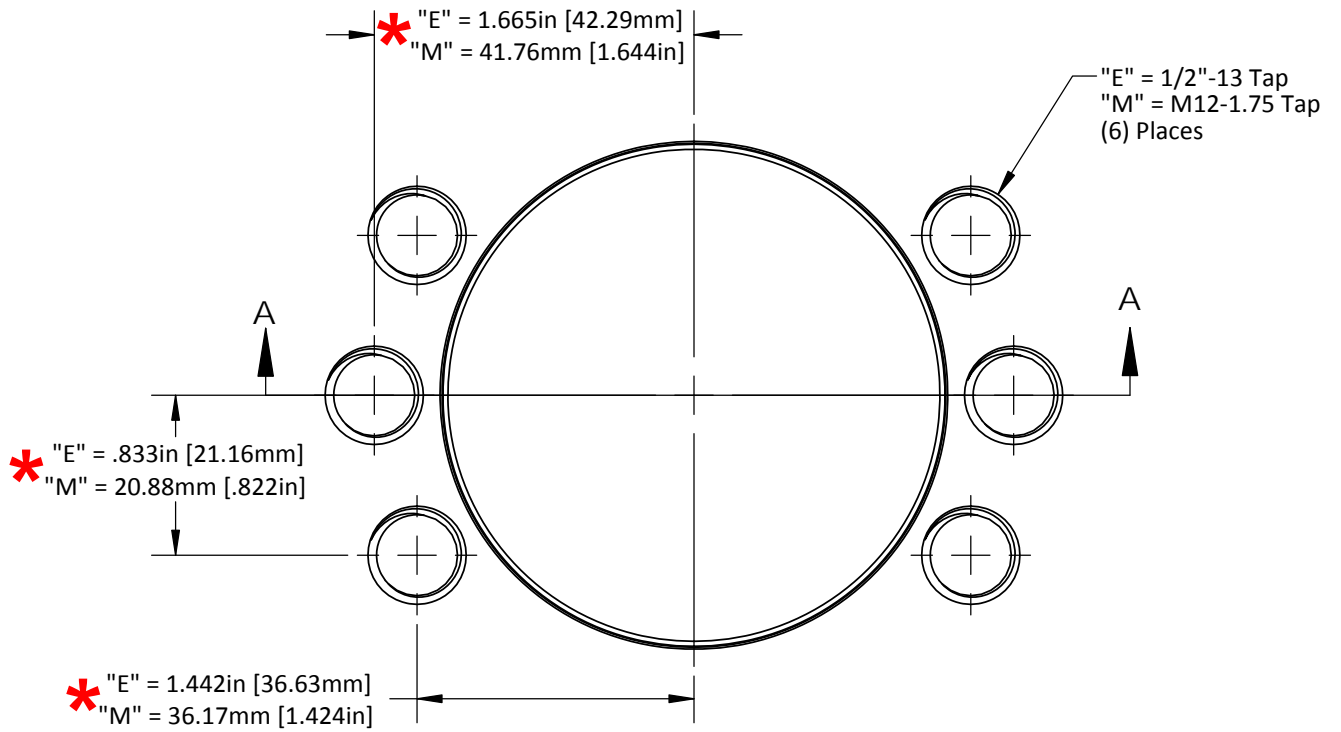


***Caution: English & Metric Hole Locations are NOT the Same!**



DO NOT SCALE DRAWING	REV 2	Base-GK205-L4-Machining
This product may be covered by one or more patents or patent applications. See http://www.standardlifters.com/patents.html for details.		