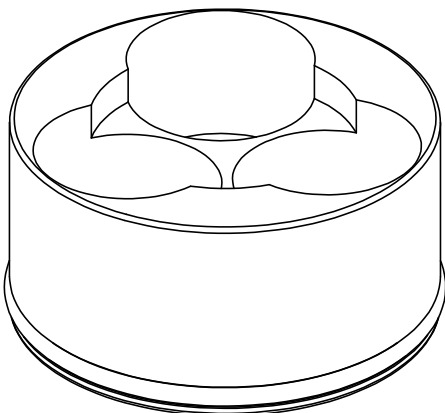
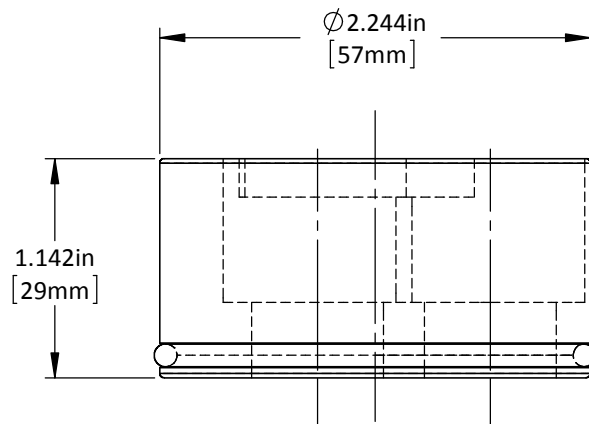


Drilled & C'bored For
 "E" = 5/8" SHCS
 "M" = M16 SHCS
 (3) Places Equally
 Spaced on a
 \varnothing 1.200in [30.48mm]
 Bolt Circle

.600in Ref.
 [15.24mm]



DO NOT SCALE DRAWING

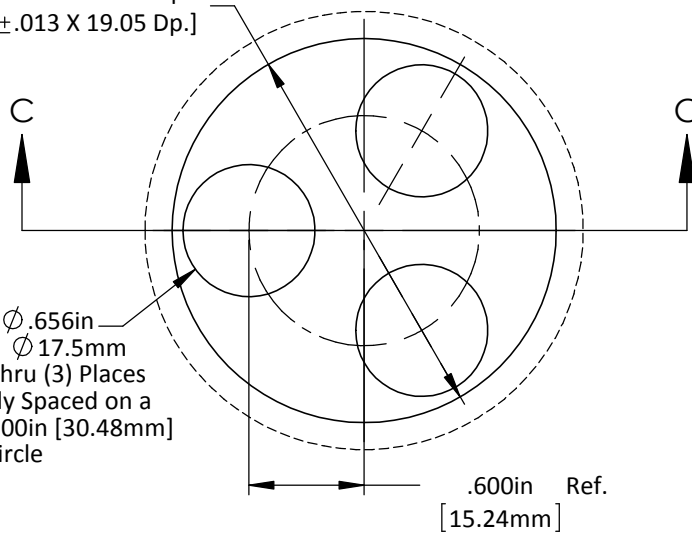
REV 1

This product may be covered by one or more patents or patent applications.
 See <http://www.standardlifters.com/patents.html> for details.

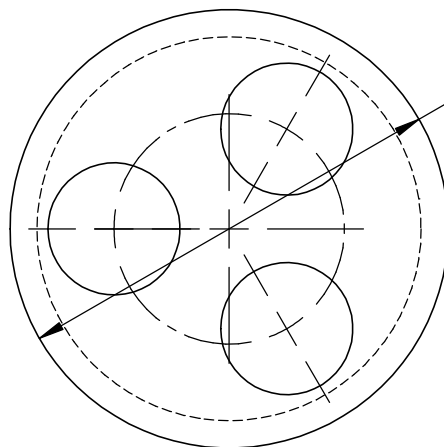
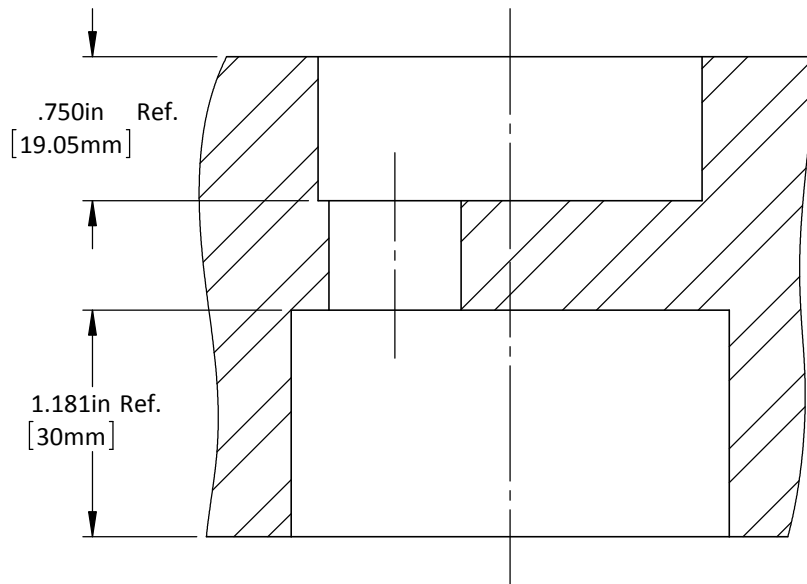
Locking Collar GK205

STANDARD LIFTERS INC

$\phi 2.000\text{in} \pm .0005 \text{ X } .750\text{in Dp.}$
 [$\phi 50.800\text{mm} \pm .013 \text{ X } 19.05 \text{ Dp.}$]



"E" = $\phi .656\text{in}$
 "M" = $\phi 17.5\text{mm}$
 Drill Thru (3) Places
 Equally Spaced on a
 $\phi 1.200\text{in}$ [30.48mm]
 Bolt circle



$\phi 2.283\text{in} \pm .002 \text{ X } 1.181\text{in Dp.}$
 [$57.99\text{mm} \pm .05 \text{ X } 30.00\text{mm Dp.}$]

DO NOT SCALE DRAWING

REV 1

This product may be covered by one or more patents or patent applications.
 See <http://www.standardlifters.com/patents.html> for details.

Locking Collar GK205-Machining

STANDARD LIFTERS INC