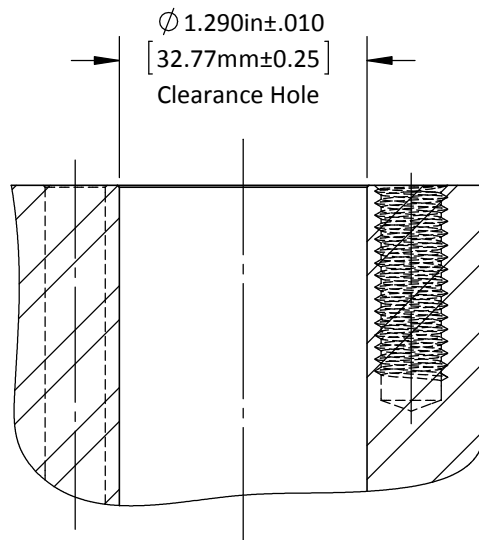
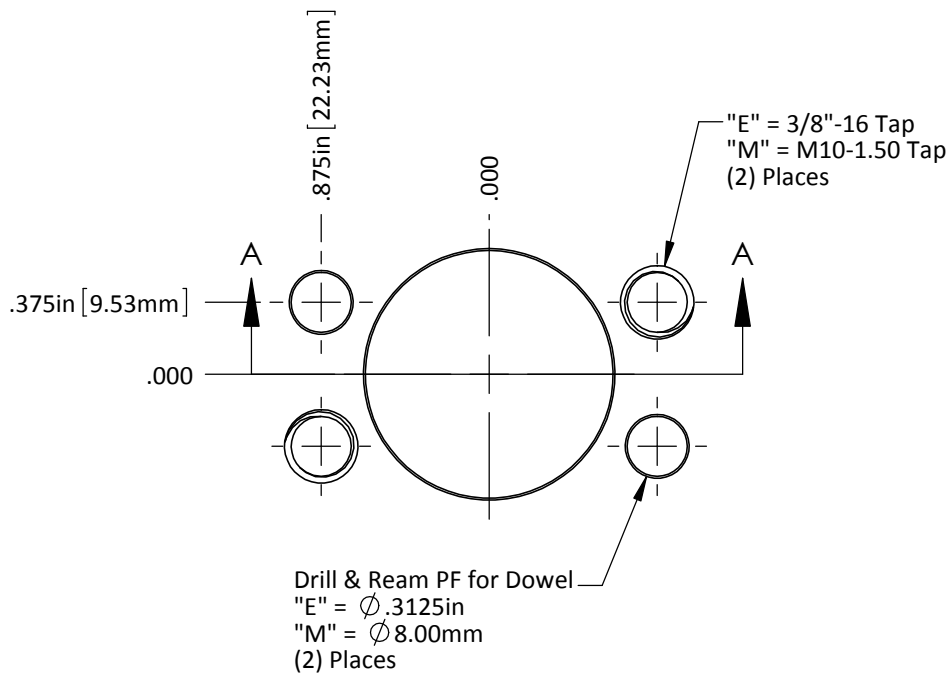


DO NOT SCALE DRAWING REV 1

This product may be covered by one or more patents or patent applications.
See <http://www.standardlifters.com/patents.html> for details.

Base-GK70-D2

STANDARD LIFTERS INC



DO NOT SCALE DRAWING

REV 1

This product may be covered by one or more patents or
 patent applications.
 See <http://www.standardlifters.com/patents.html> for details.

GK70-D2-Base Machining

STANDARD LIFTERS INC