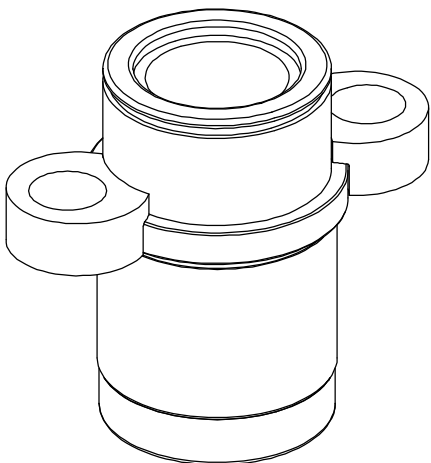
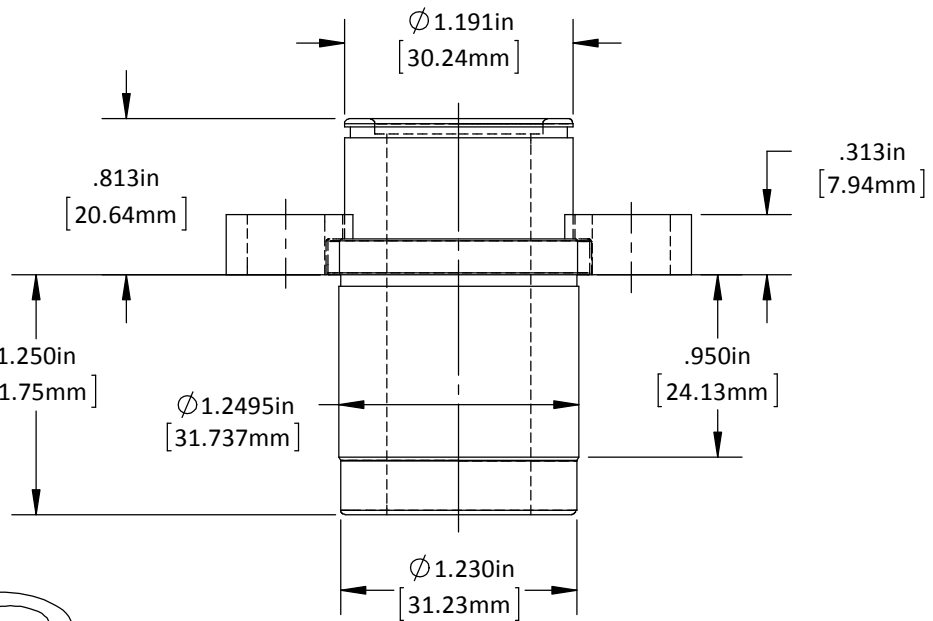
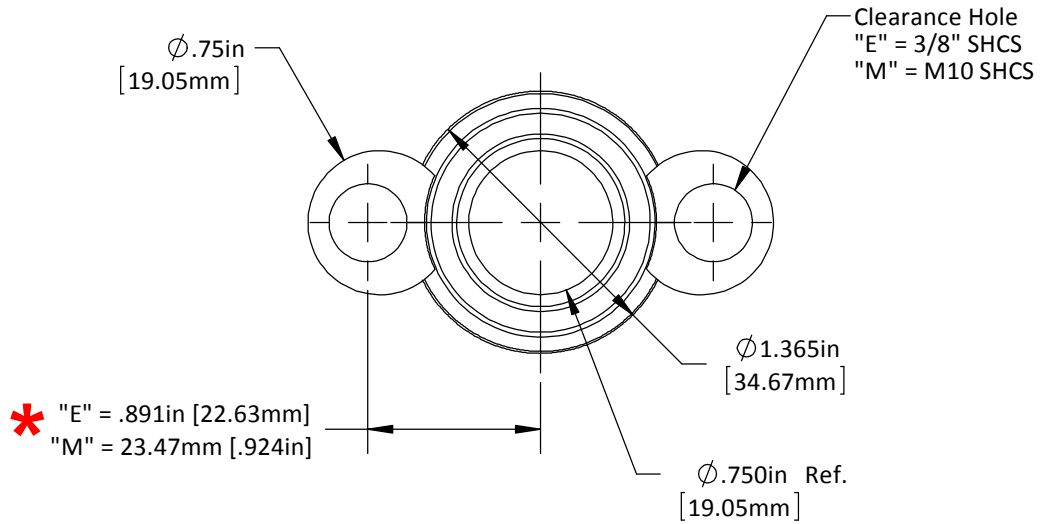


**\* Caution: English & Metric Hole Locations are NOT the Same!**



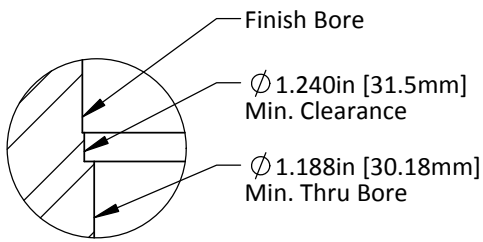
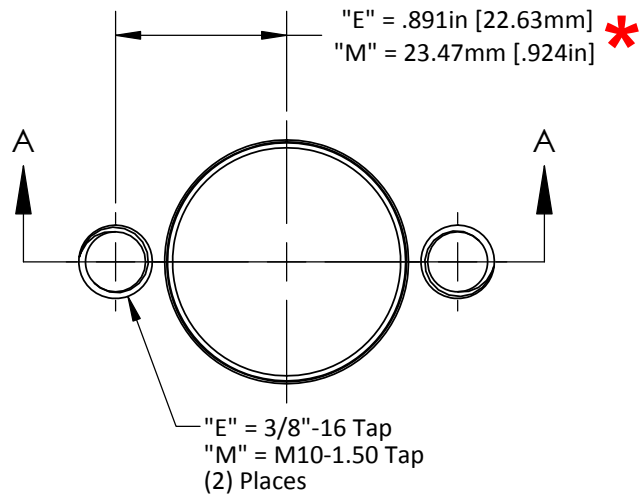
DO NOT SCALE DRAWING    REV 2

This product may be covered by one or more patents or patent applications.  
 See <http://www.standardlifters.com/patents.html> for details.

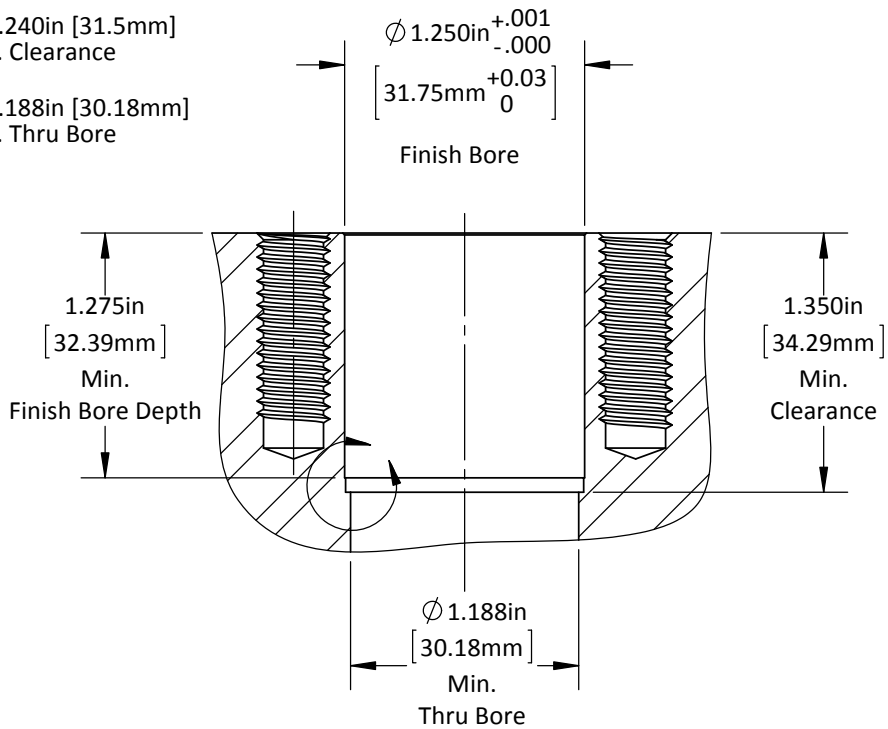
**Base-GK70-H2**

STANDARD LIFTERS INC

**\* Caution: English & Metric Hole Locations are NOT the Same! \***



DETAIL SCALE :



DO NOT SCALE DRAWING

REV 2

This product may be covered by one or more patents or patent applications.  
See <http://www.standardlifters.com/patents.html> for details.

**GK70-H2-Base Machining**

**STANDARD LIFTERS INC**