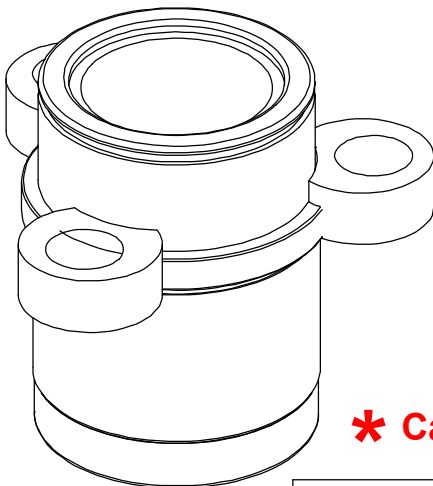
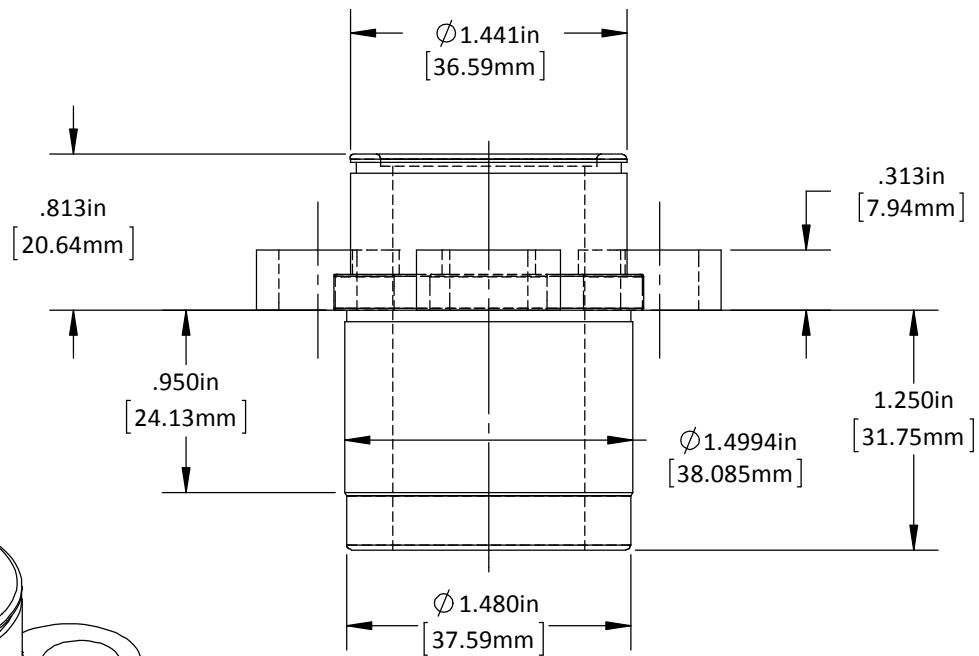
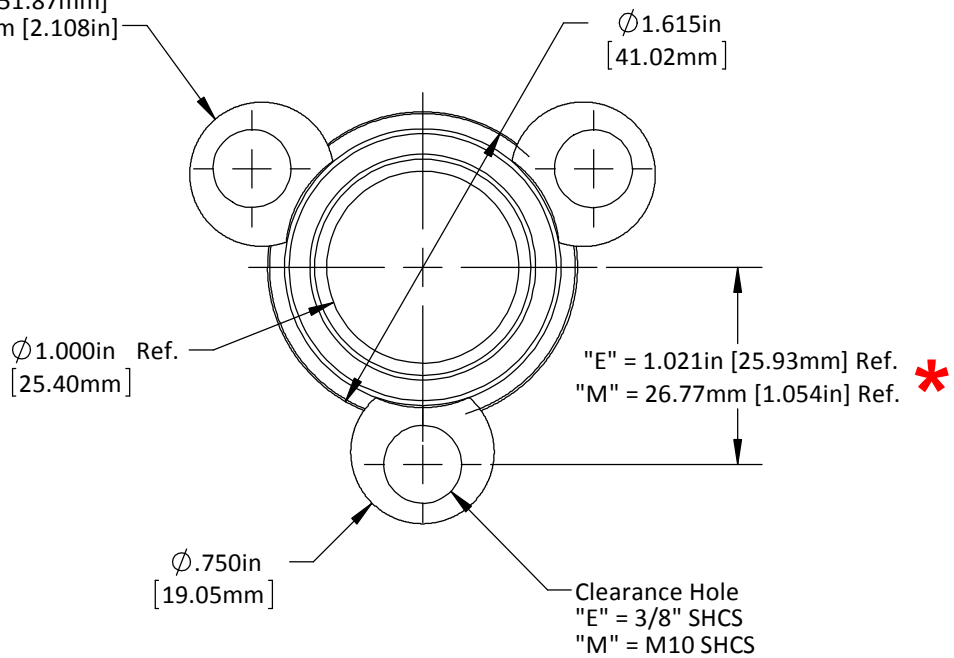


(3) Flange Clamps on Bolt Circle:
 * "E" = 2.042in [51.87mm]
 "M" = 53.54mm [2.108in]

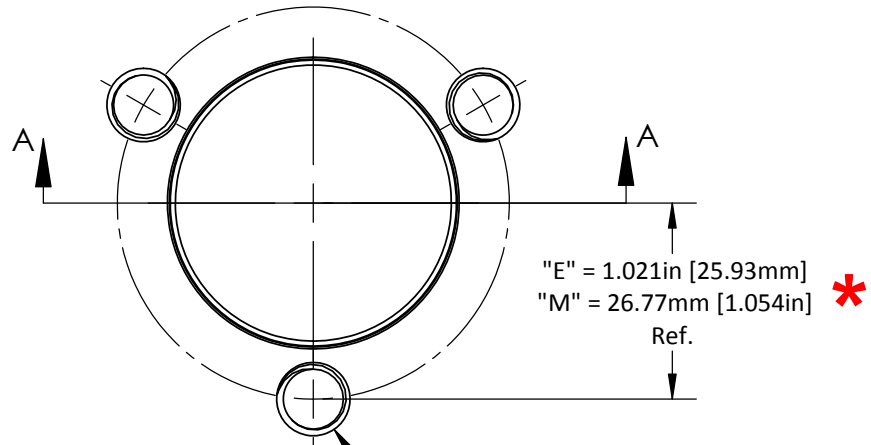


*** Caution: English & Metric Hole Locations are NOT the Same!**

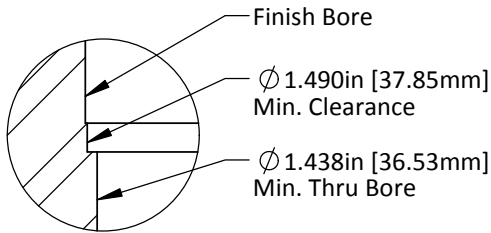
DO NOT SCALE DRAWING | REV 2
 This product may be covered by one or more patents or patent applications.
 See <http://www.standardlifters.com/patents.html> for details.

Base-GK95-H2
STANDARD LIFTERS INC

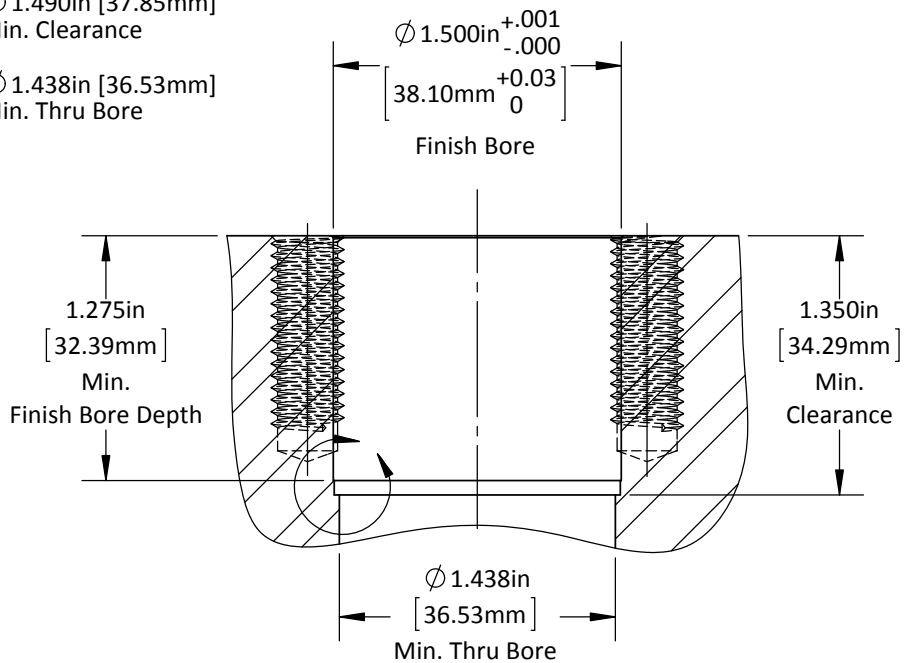
*** Caution: English & Metric Hole Locations are NOT the Same!**



"E" = 3/8"-16 Tap
 "M" = M10-1.50 Tap
 (3) Places on a Bolt Circle
 "E" = 2.042in [51.87mm]
 "M" = 53.54mm [2.108in]



DETAIL SCALE :



DO NOT SCALE DRAWING	REV 2	GK95-H2-Base-Machining
This product may be covered by one or more patents or patent applications. See http://www.standardlifters.com/patents.html for details.		