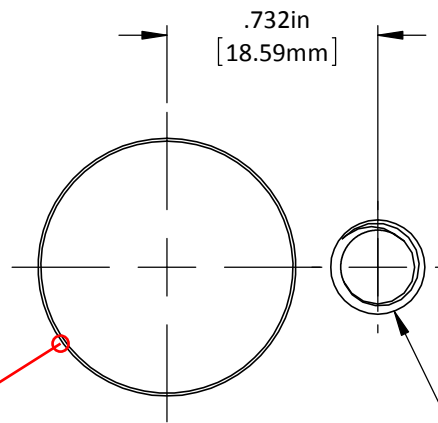


DO NOT SCALE DRAWING | REV 1

This product may be covered by one or more patents or patent applications.  
 See <http://www.standardlifters.com/patents.html> for details.

**Gas Spring Clamp-GSC-19-A**

**STANDARD LIFTERS INC**



\*Recommended Minimum Hole Size to be  
Cylinder Body Diameter +1mm [.04"]

"E" = 5/16"-18 Tap X .62in Dp.  
"M" = M8-1.25 Tap X 16mm Dp.

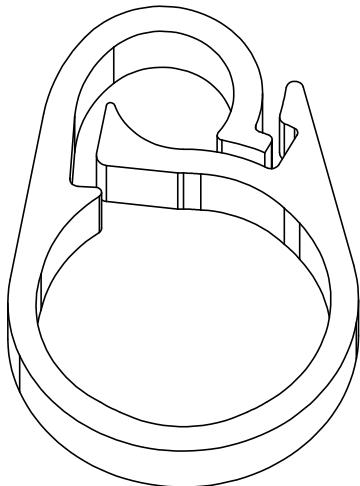
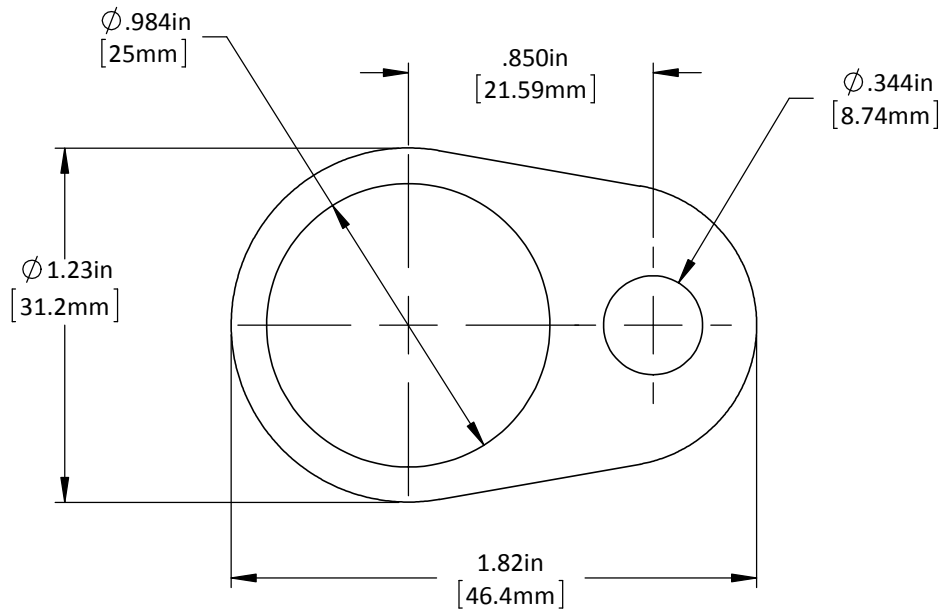
DO NOT SCALE DRAWING

REV 1

This product may be covered by one or more patents or  
patent applications.  
See <http://www.standardlifters.com/patents.html> for details.

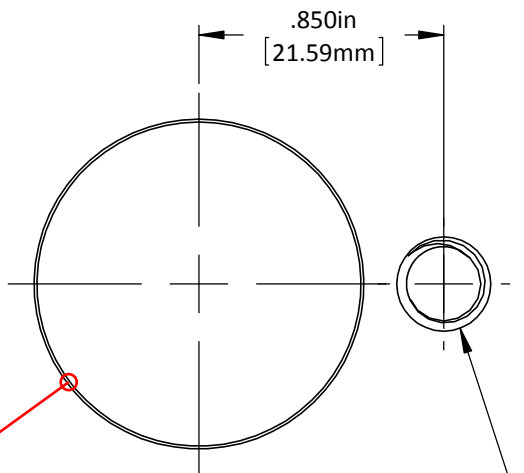
**Gas Spring Clamp-GSC-19-A-Machining**

**STANDARD LIFTERS INC**



DO NOT SCALE DRAWING	REV 1
This product may be covered by one or more patents or patent applications. See <a href="http://www.standardlifters.com/patents.html">http://www.standardlifters.com/patents.html</a> for details.	

**Gas Spring Clamp-GSC-25-A**  
**STANDARD LIFTERS INC**

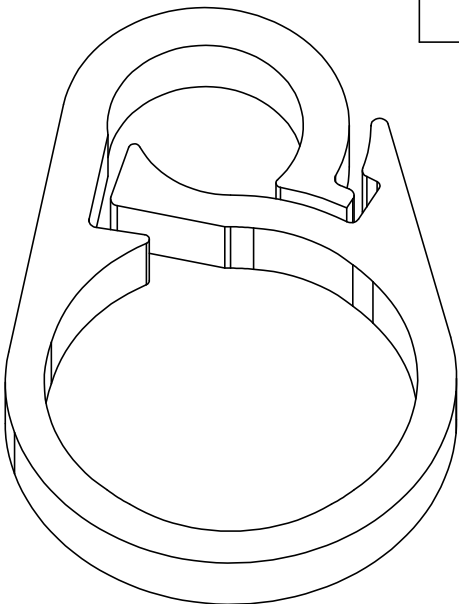
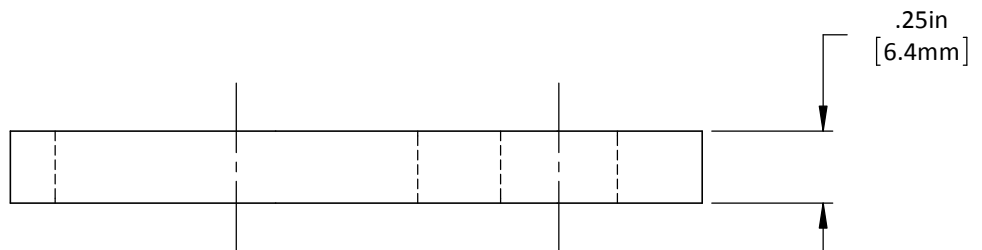
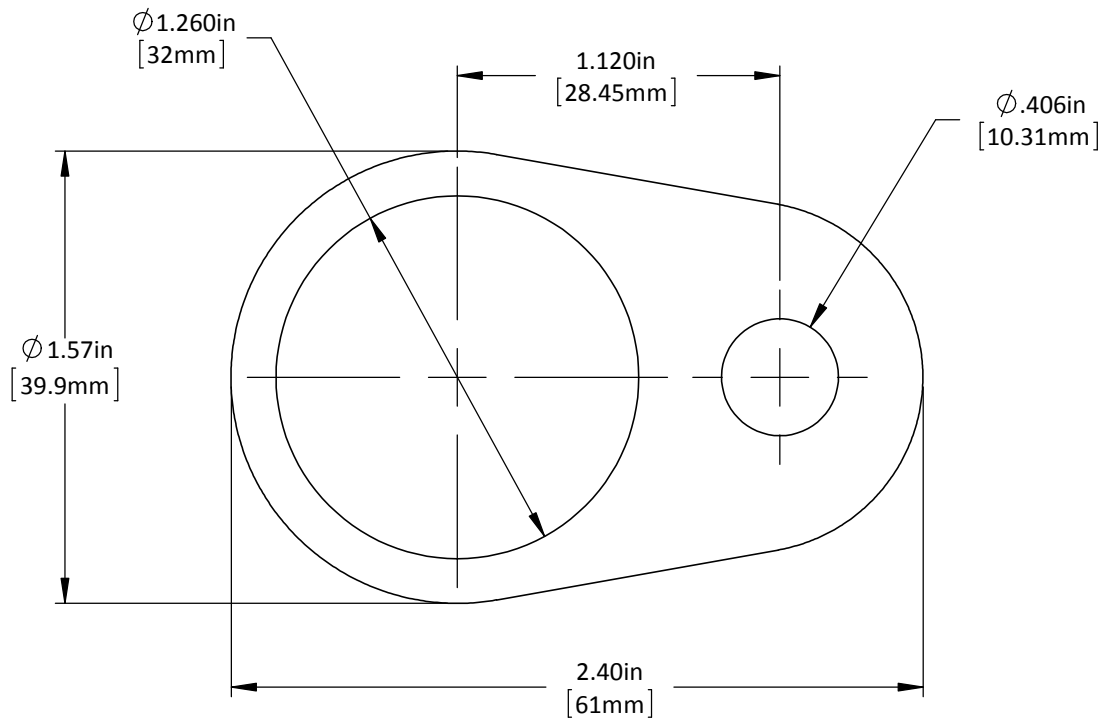


\*Recommended Minimum Hole Size to be  
Cylinder Body Diameter +1mm [.04"]

"E" = 5/16"-18 Tap X .62in Dp.  
"M" = M8-1.25 Tap X 16mm Dp.

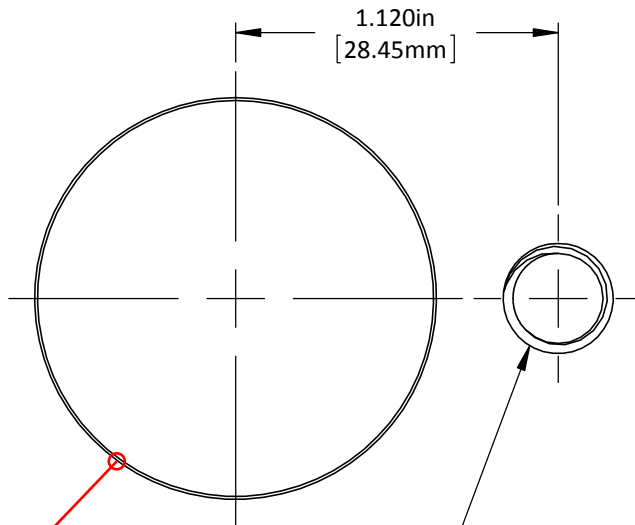
DO NOT SCALE DRAWING	REV 1
This product may be covered by one or more patents or patent applications. See <a href="http://www.standardlifters.com/patents.html">http://www.standardlifters.com/patents.html</a> for details.	

**Gas Spring Clamp-GSC-25-A-Machining**  
**STANDARD LIFTERS INC**



DO NOT SCALE DRAWING | REV 1  
 This product may be covered by one or more patents or patent applications.  
 See <http://www.standardlifters.com/patents.html> for details.

**Gas Spring Clamp-GSC-32-A**  
**STANDARD LIFTERS INC**

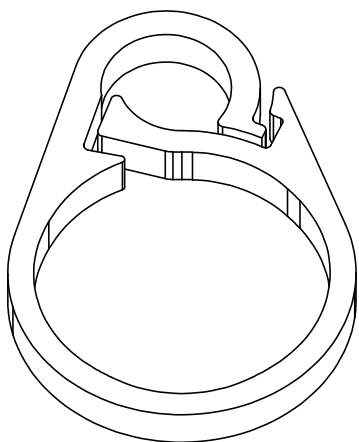
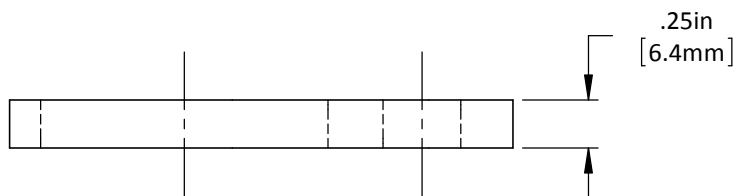
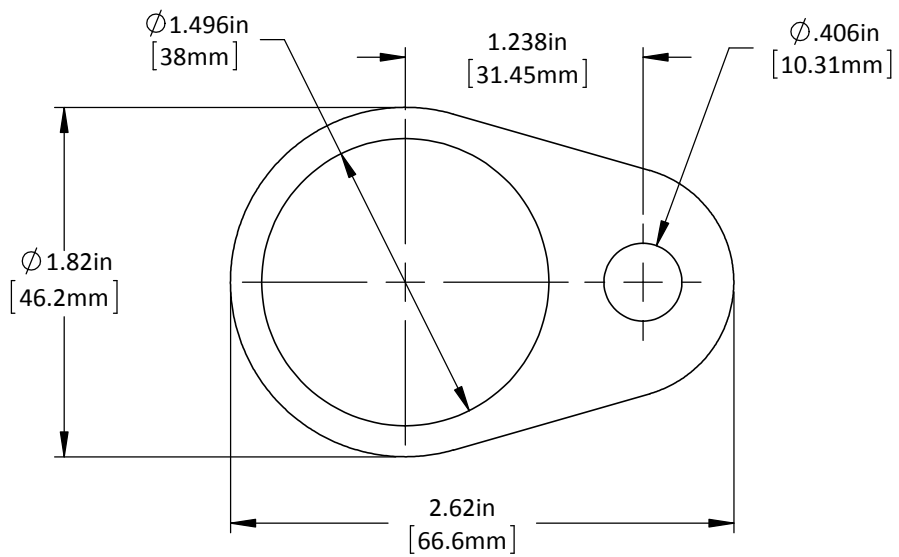


\*Recommended Minimum Hole Size to be  
Cylinder Body Diameter +1mm [.04"]

"E" = 3/8"-16 Tap X .75in Dp.  
"M" = M10-1.50 Tap X 20mm Dp.

DO NOT SCALE DRAWING	REV 1
This product may be covered by one or more patents or patent applications. See <a href="http://www.standardlifters.com/patents.html">http://www.standardlifters.com/patents.html</a> for details.	

**Gas Spring Clamp-GSC-32-A-Machining**  
**STANDARD LIFTERS INC**



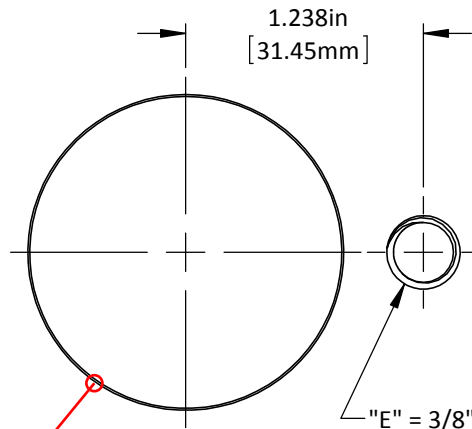
DO NOT SCALE DRAWING

REV 1

This product may be covered by one or more patents or patent applications.  
See <http://www.standardlifters.com/patents.html> for details.

**Gas Spring Clamp-GSC-38-A**

**STANDARD LIFTERS INC**



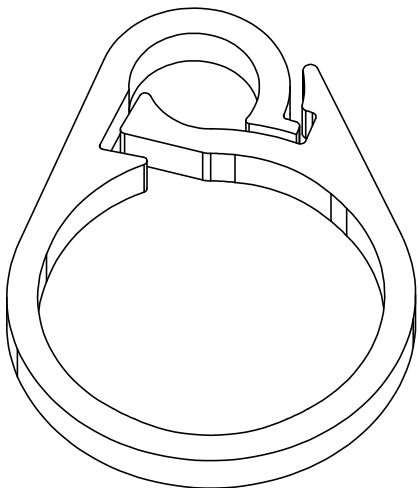
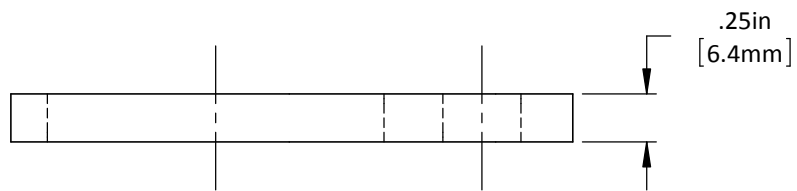
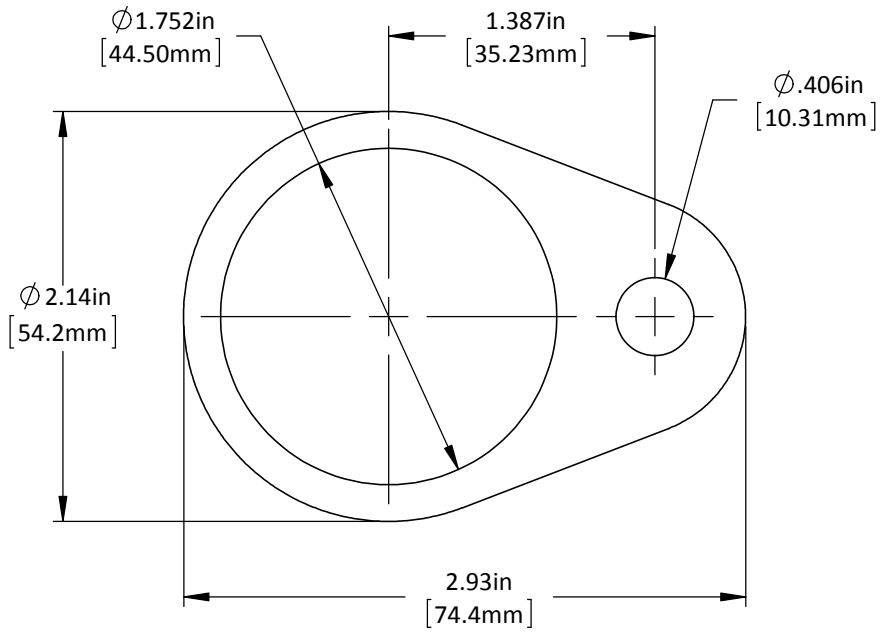
\*Recommended Minimum Hole Size to be  
Cylinder Body Diameter +1mm [.04"]

"E" = 3/8"-16 Tap X .75in Dp.  
"M" = M10-1.50 Tap X 20mm Dp.

DO NOT SCALE DRAWING	REV 1
This product may be covered by one or more patents or patent applications. See <a href="http://www.standardlifters.com/patents.html">http://www.standardlifters.com/patents.html</a> for details.	

**Gas Spring Clamp-GSC-38-A-Machining**  
**STANDARD LIFTERS INC**



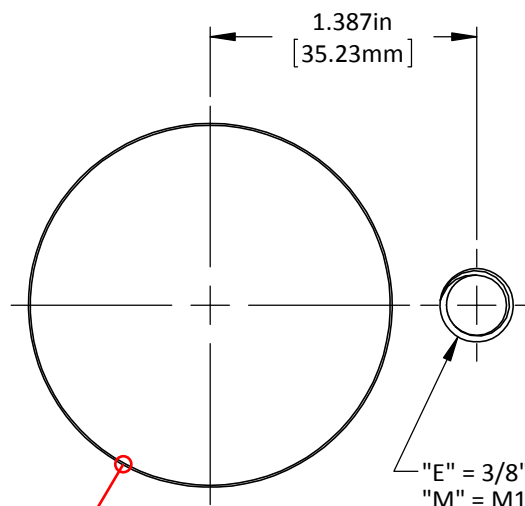


DO NOT SCALE DRAWING    REV 1

This product may be covered by one or more patents or patent applications.  
 See <http://www.standardlifters.com/patents.html> for details.

**Gas Spring Clamp-GSC-44.5-A**

**STANDARD LIFTERS INC**



\*Recommended Minimum Hole Size to be  
Cylinder Body Diameter +1mm [.04"]

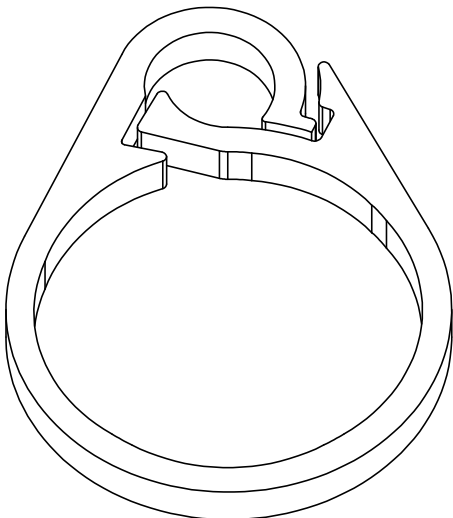
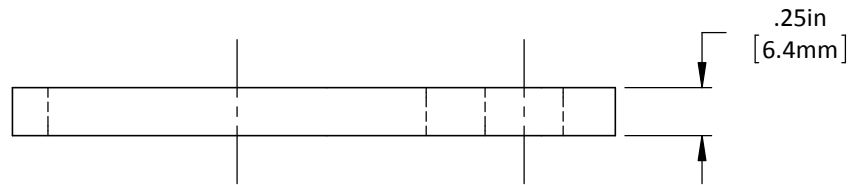
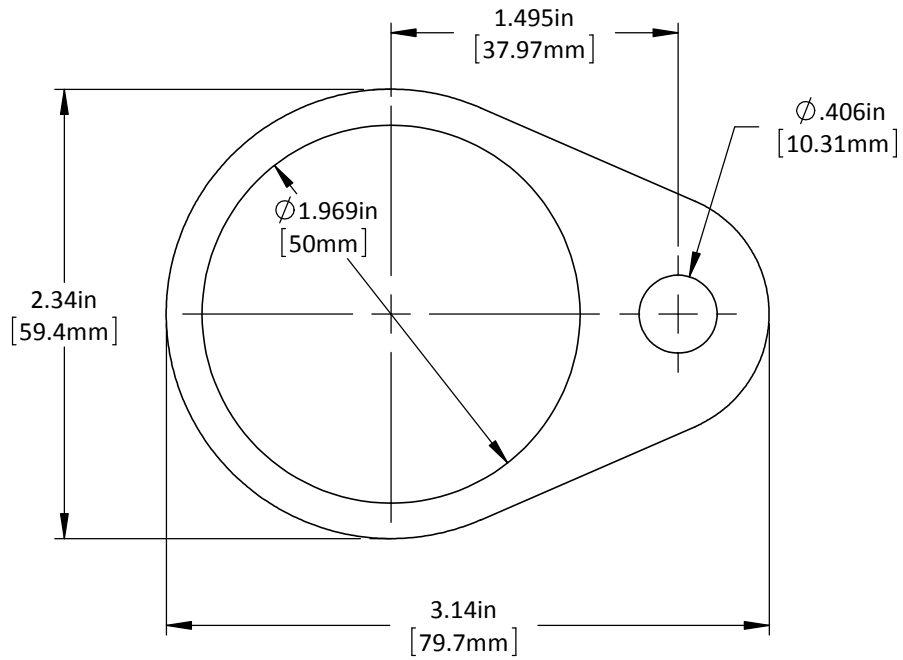
DO NOT SCALE DRAWING

REV 1

**Gas Spring Clamp-GSC-44.5-A-Machining**

This product may be covered by one or more patents or  
patent applications.  
See <http://www.standardlifters.com/patents.html> for details.

**STANDARD LIFTERS INC**

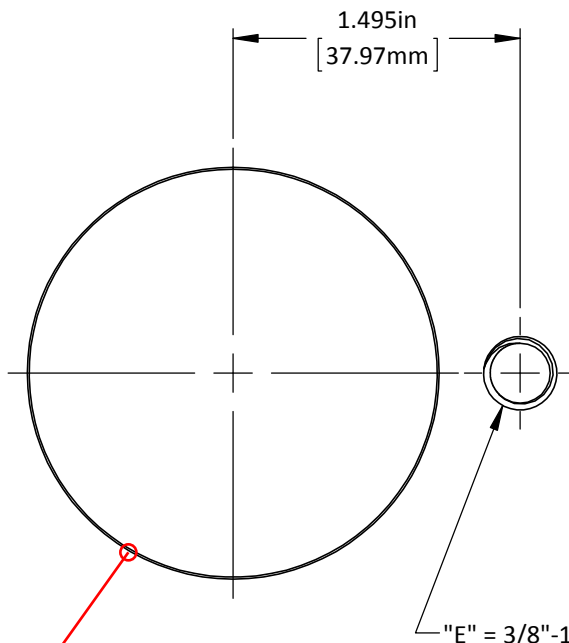


DO NOT SCALE DRAWING    REV 1

This product may be covered by one or more patents or patent applications.  
See <http://www.standardlifters.com/patents.html> for details.

**Gas Spring Clamp-GSC-50-A**

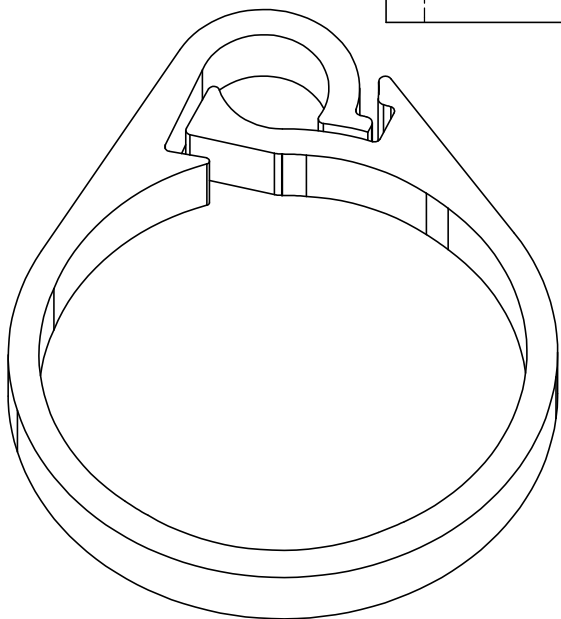
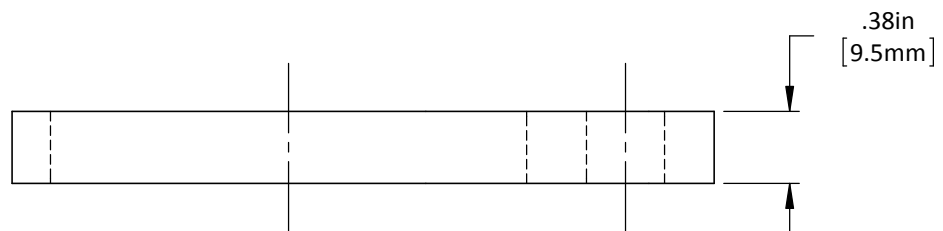
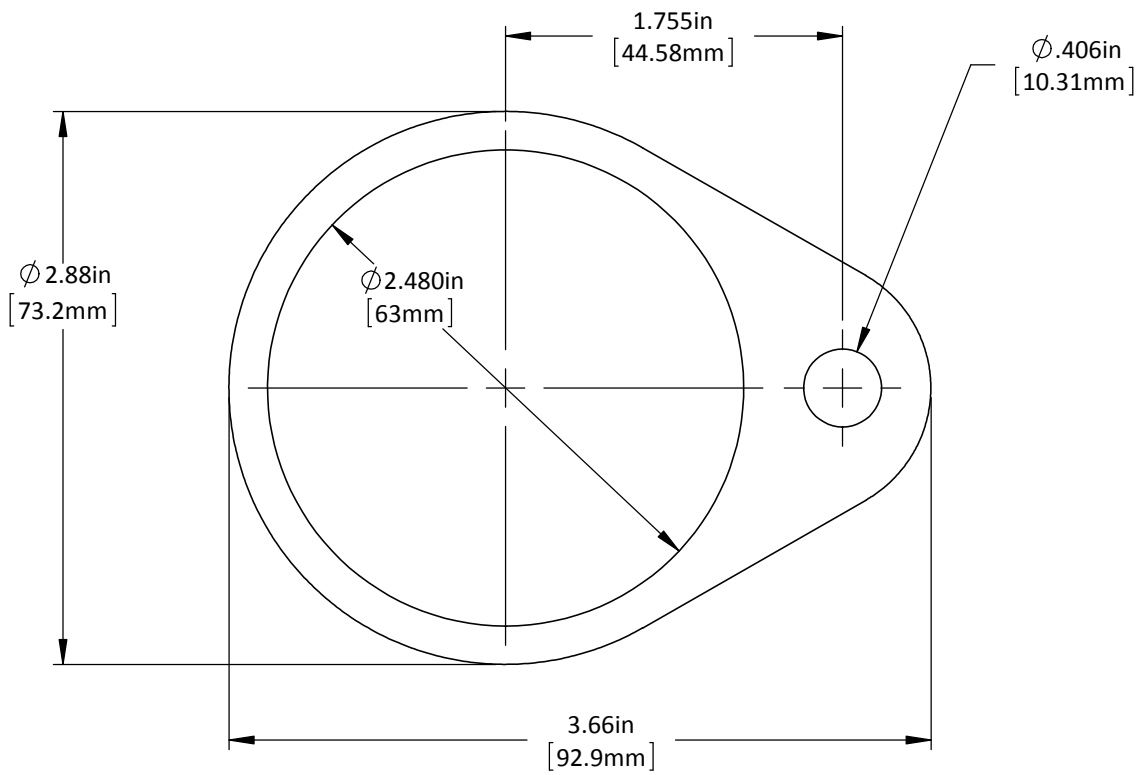
**STANDARD LIFTERS INC**



\*Recommended Minimum Hole Size to be  
Cylinder Body Diameter +1mm [.04"]

"E" = 3/8"-16 Tap X .75in Dp.  
"M" = M10-1.50 Tap X 20mm Dp.

DO NOT SCALE DRAWING	REV 1	<b>Gas Spring Clamp-GSC-50-A-Machining</b>
This product may be covered by one or more patents or patent applications. See <a href="http://www.standardlifters.com/patents.html">http://www.standardlifters.com/patents.html</a> for details.		

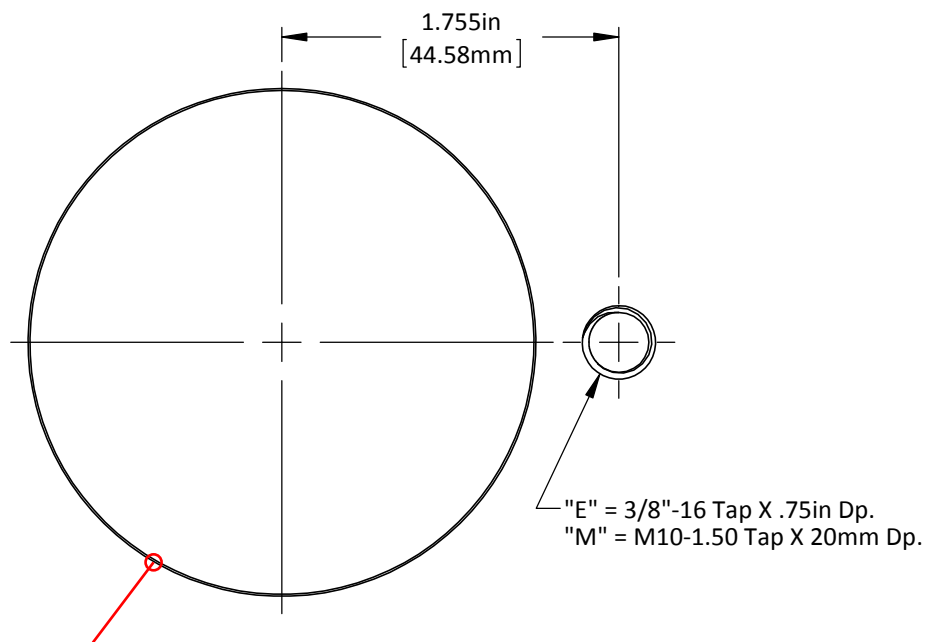


DO NOT SCALE DRAWING    REV 1

This product may be covered by one or more patents or patent applications.  
 See <http://www.standardlifters.com/patents.html> for details.

**Gas Spring Clamp-GSC-63-A**

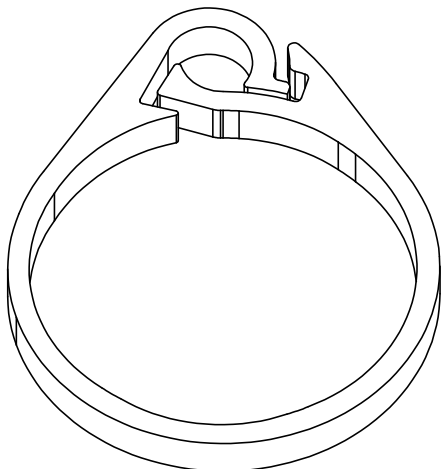
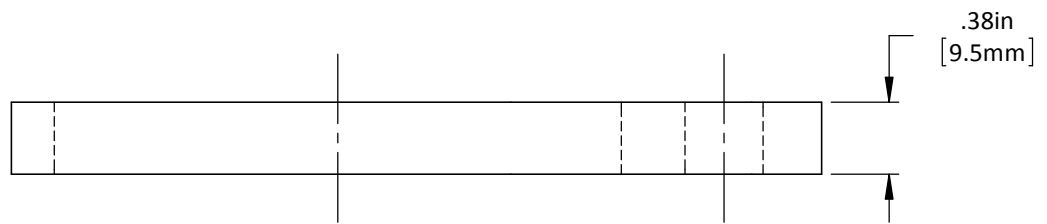
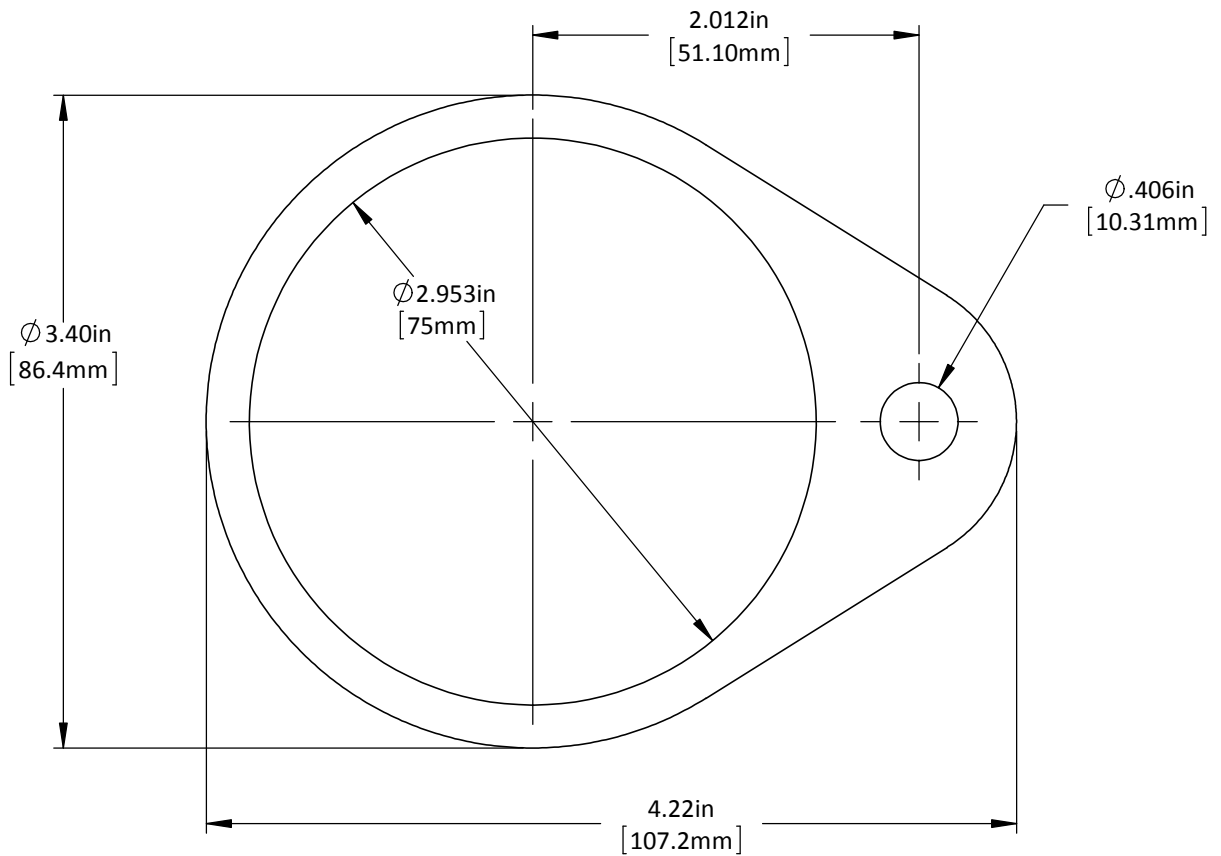
**STANDARD LIFTERS INC**



\*Recommended Minimum Hole Size to be  
Cylinder Body Diameter +1mm [.04"]

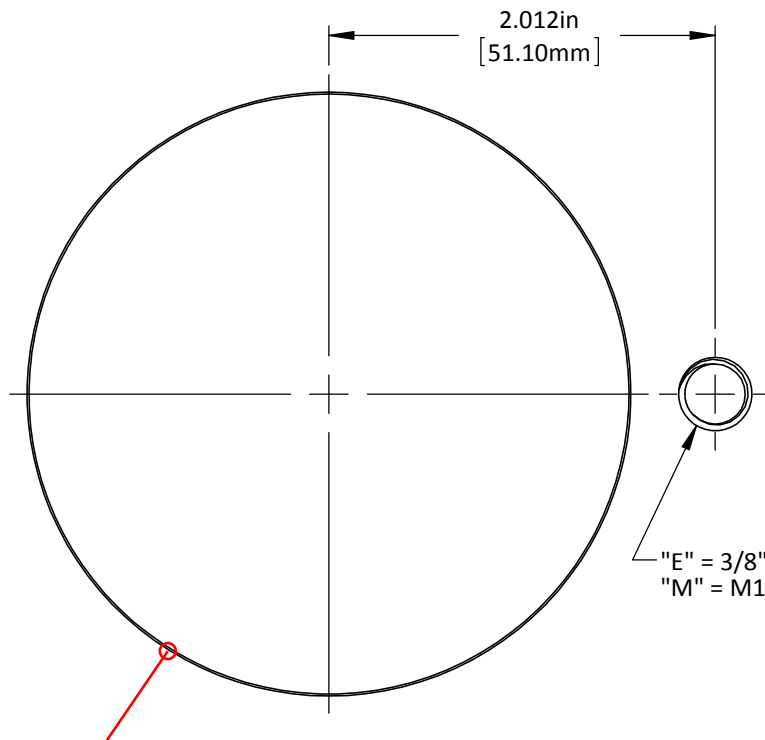
DO NOT SCALE DRAWING	REV 1
This product may be covered by one or more patents or patent applications. See <a href="http://www.standardlifters.com/patents.html">http://www.standardlifters.com/patents.html</a> for details.	

**Gas Spring Clamp-GSC-63-A-Machining**  
**STANDARD LIFTERS INC**



DO NOT SCALE DRAWING | REV 1  
 This product may be covered by one or more patents or patent applications.  
 See <http://www.standardlifters.com/patents.html> for details.

**Gas Spring Clamp-GSC-75-A**  
**STANDARD LIFTERS INC**



"E" = 3/8"-16 Tap X .75in Dp.  
"M" = M10-1.50 Tap X 20mm Dp.

\*Recommended Minimum Hole Size to be  
Cylinder Body Diameter +1mm [.04"]

DO NOT SCALE DRAWING

REV 1

**Gas Spring Clamp-GSC-75-A-Machining**

This product may be covered by one or more patents or  
patent applications.  
See <http://www.standardlifters.com/patents.html> for details.

**STANDARD LIFTERS INC**