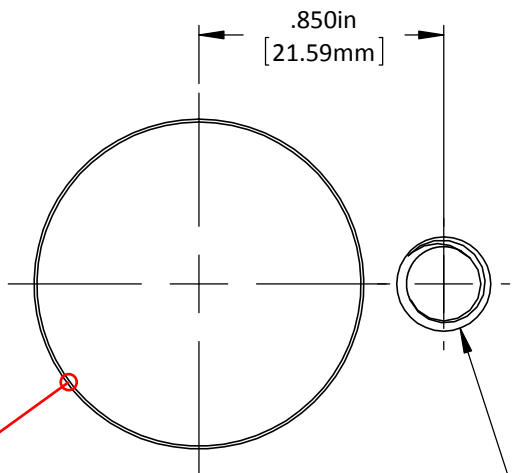


DO NOT SCALE DRAWING	REV 1
This product may be covered by one or more patents or patent applications. See <a href="http://www.standardlifters.com/patents.html">http://www.standardlifters.com/patents.html</a> for details.	

**Gas Spring Clamp-GSC-25-A**  
**STANDARD LIFTERS INC**



\*Recommended Minimum Hole Size to be  
Cylinder Body Diameter +1mm [.04"]

"E" = 5/16"-18 Tap X .62in Dp.  
"M" = M8-1.25 Tap X 16mm Dp.

DO NOT SCALE DRAWING	REV 1
This product may be covered by one or more patents or patent applications. See <a href="http://www.standardlifters.com/patents.html">http://www.standardlifters.com/patents.html</a> for details.	

**Gas Spring Clamp-GSC-25-A-Machining**  
**STANDARD LIFTERS INC**