

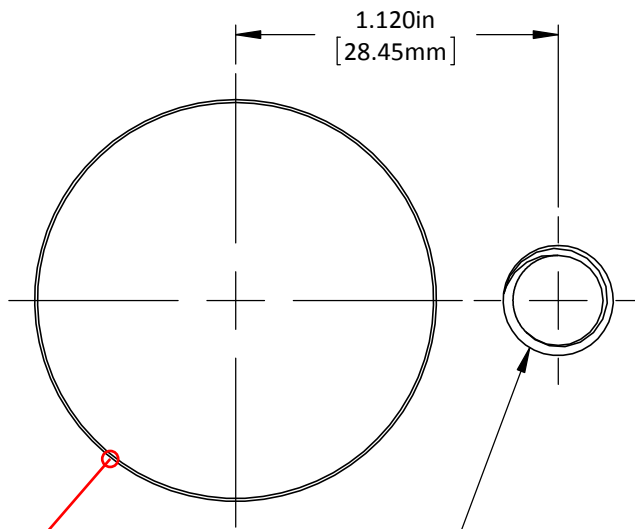
DO NOT SCALE DRAWING

REV 1

This product may be covered by one or more patents or patent applications.  
 See <http://www.standardlifters.com/patents.html> for details.

**Gas Spring Clamp-GSC-32-B**

**STANDARD LIFTERS INC**



\*Recommended Minimum Hole Size to be  
Cylinder Body Diameter +1mm [.04"]

"E" = 3/8"-16 Tap X .75in Dp.  
"M" = M10-1.50 Tap X 20mm Dp.

DO NOT SCALE DRAWING	REV 1
This product may be covered by one or more patents or patent applications. See <a href="http://www.standardlifters.com/patents.html">http://www.standardlifters.com/patents.html</a> for details.	

**Gas Spring Clamp-GSC-32-B-Machining**  
**STANDARD LIFTERS INC**