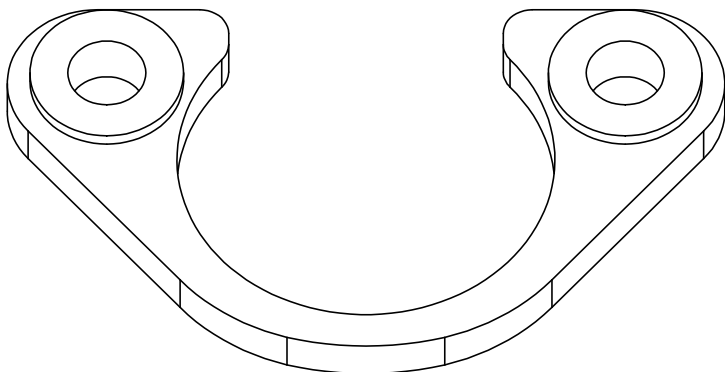
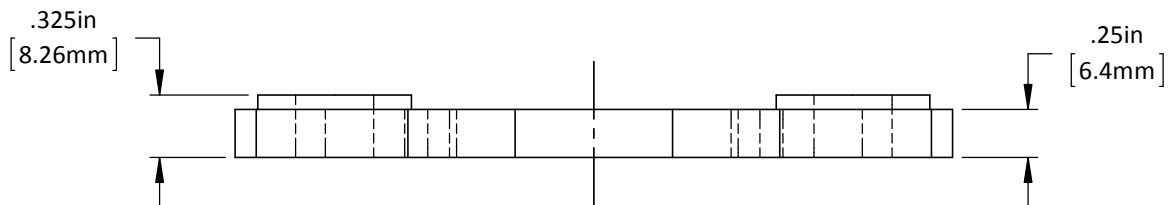
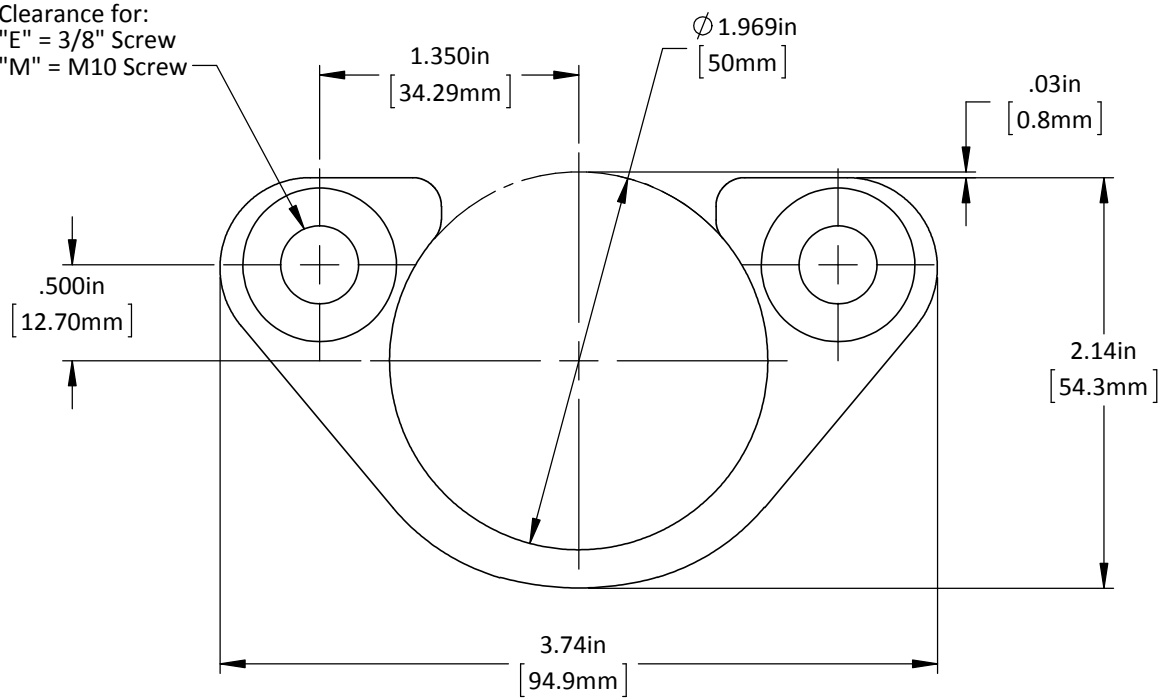


Clearance for:
"E" = 3/8" Screw
"M" = M10 Screw



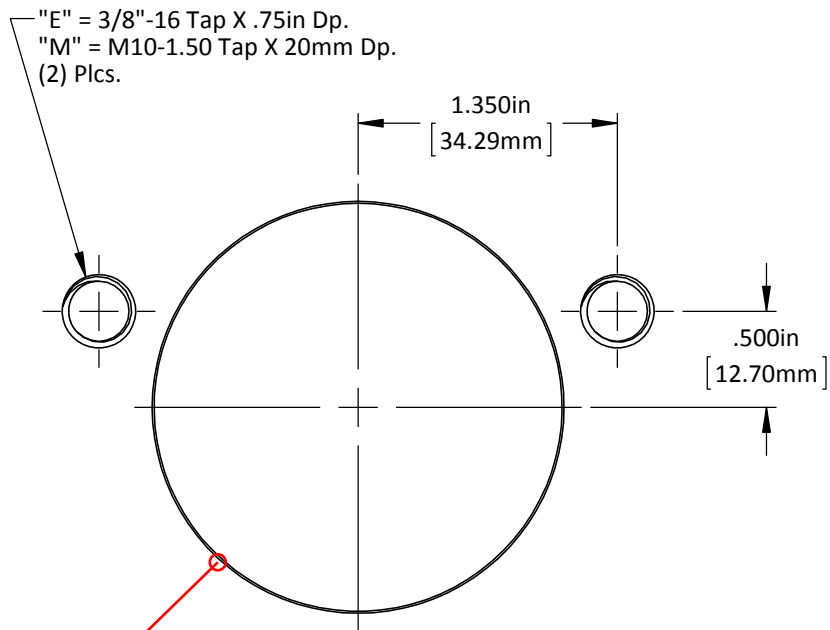
DO NOT SCALE DRAWING

REV 1

This product may be covered by one or more patents or patent applications.
See <http://www.standardlifters.com/patents.html> for details.

Gas Spring Clamp-GSC-50-C

STANDARD LIFTERS INC



*Recommended Minimum Hole Size to be
 Cylinder Body Diameter +1mm [.04"]

DO NOT SCALE DRAWING	REV 1	Gas Spring Clamp-GSC-50-C-Machining
This product may be covered by one or more patents or patent applications. See http://www.standardlifters.com/patents.html for details.		