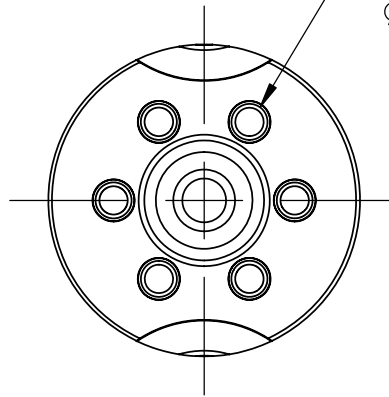
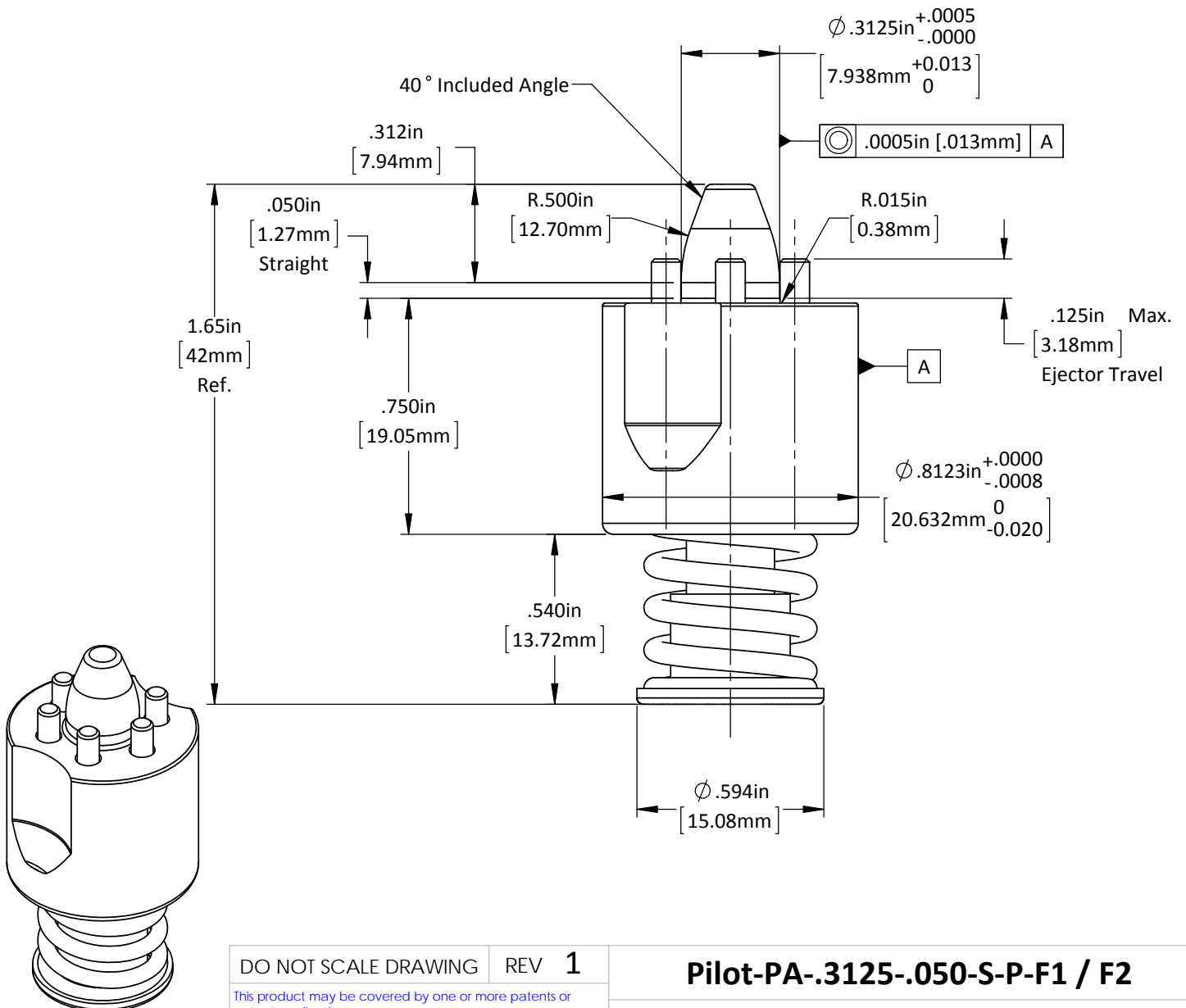


**1 Hold Down**  
**PA-.3125-.050-S-P-F1**



**2 Hold Downs**  
**PA-.3125-.050-S-P-F2**

$\varnothing .094\text{in}$  [2.4mm] Ejector Pin  
 (6) Equally Spaced on a  
 $\varnothing .472\text{in}$  [12mm] Bolt Circle

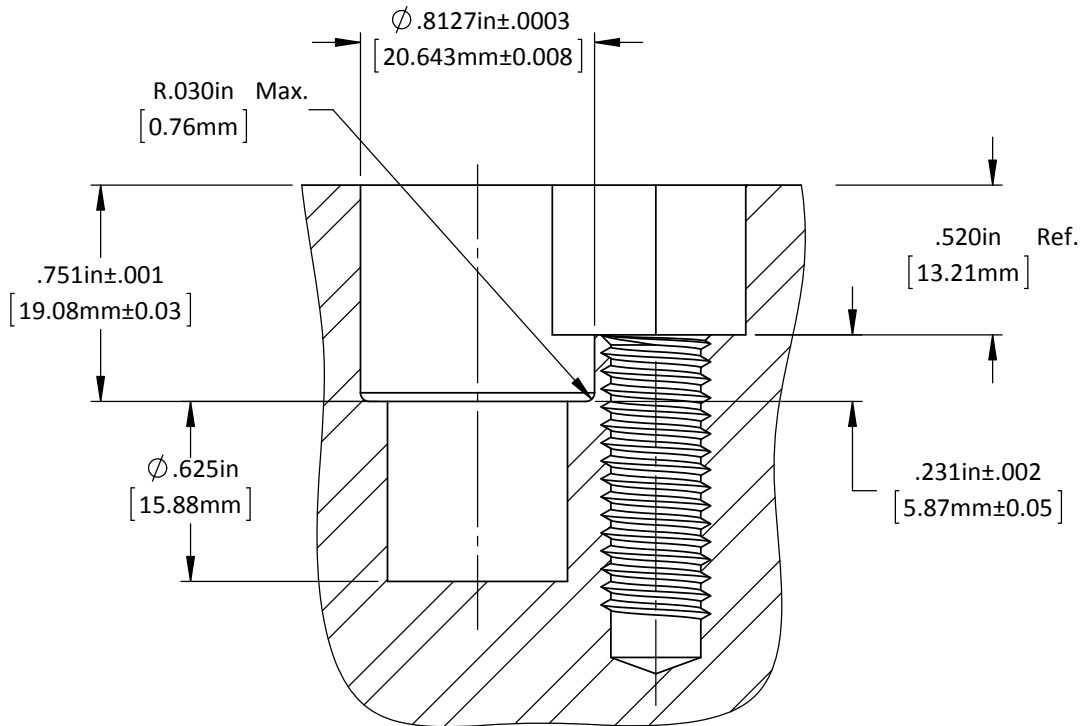
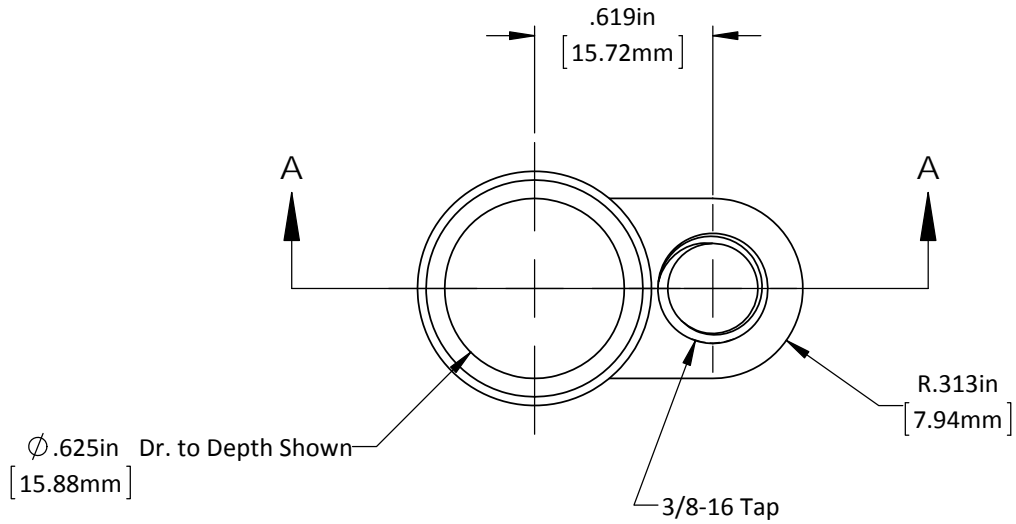


DO NOT SCALE DRAWING    REV 1

This product may be covered by one or more patents or patent applications.  
See <http://www.standardlifters.com/patents.html> for details.

**Pilot-PA-.3125-.050-S-P-F1 / F2**

**STANDARD LIFTERS INC**



DO NOT SCALE DRAWING

REV 1

This product may be covered by one or more patents or patent applications.  
See <http://www.standardlifters.com/patents.html> for details.

**Pilot-PA-.3125-.050-S-P-F-Machining**

**STANDARD LIFTERS INC**