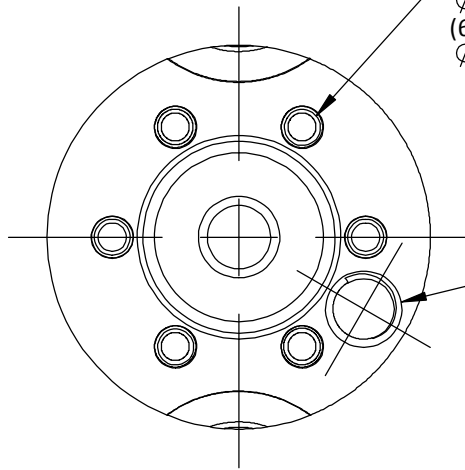


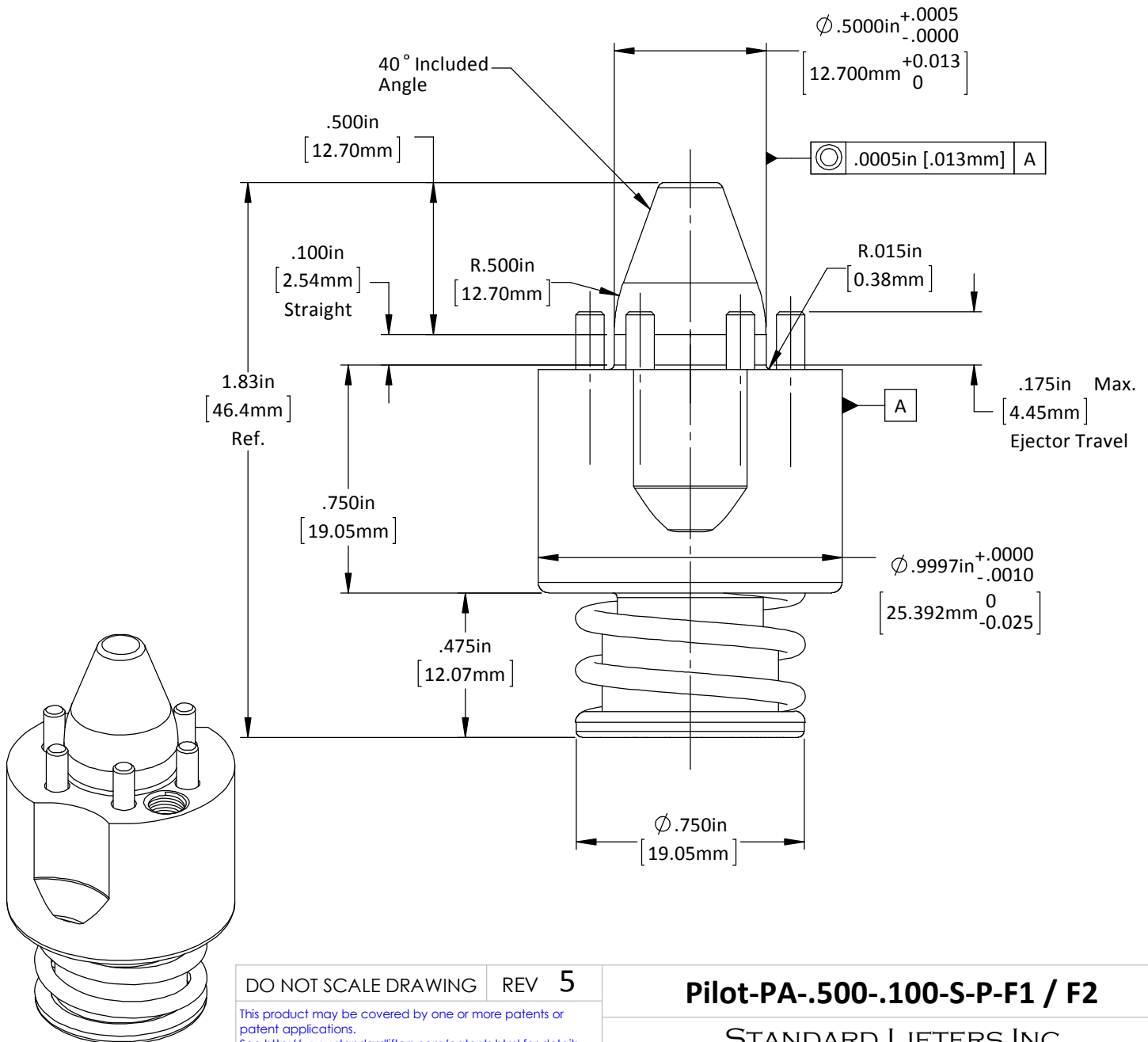
1 Hold Down
PA-.500-.100-S-P-F1

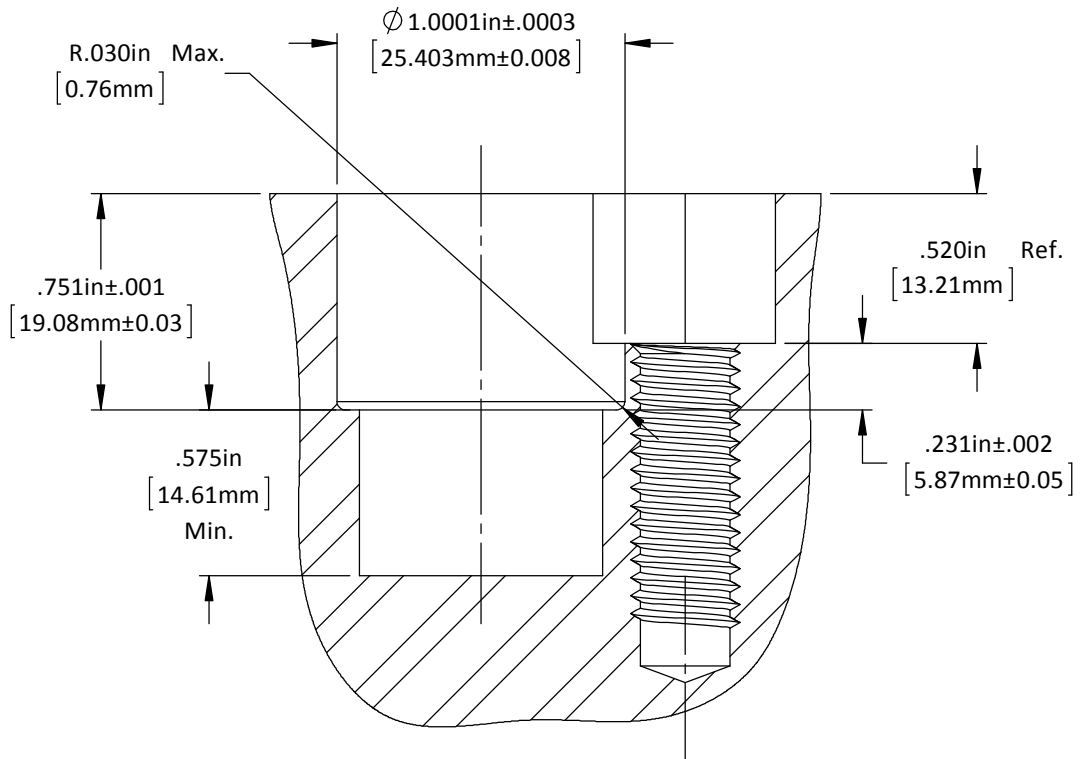
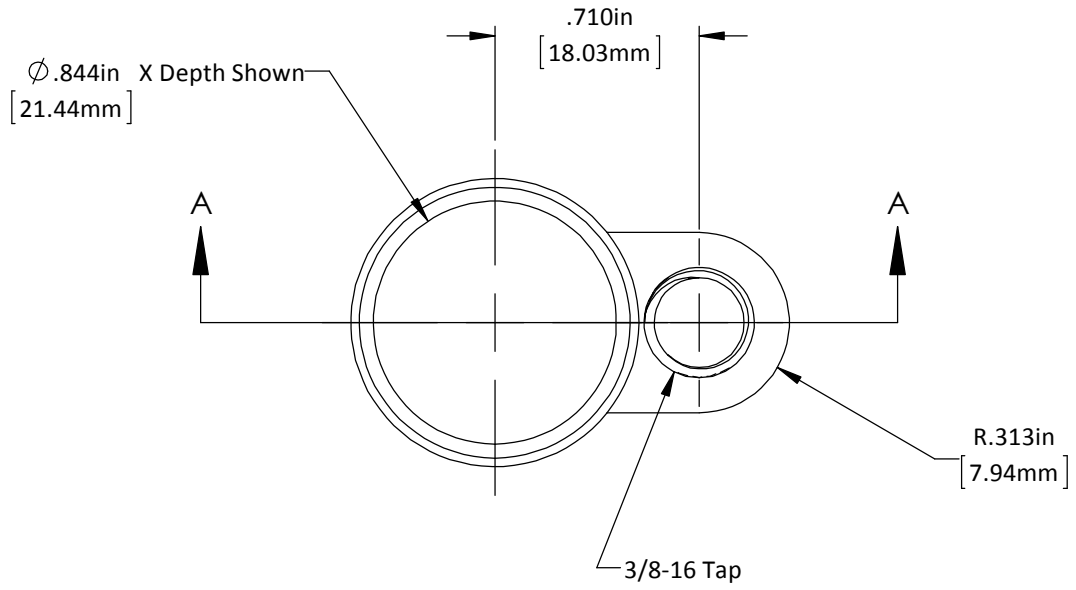


2 Hold Downs
PA-.500-.100-S-P-F2

ϕ .094in [2.4mm] Ejector Pin
 (6) Equally Spaced on a
 ϕ .660in [16.76mm] Bolt Circle

#10-32 Tap





DO NOT SCALE DRAWING

REV 6

This product may be covered by one or more patents or patent applications.
 See <http://www.standardlifters.com/patents.html> for details.

Pilot-PA-.500-.100-S-P-F-Machining

STANDARD LIFTERS INC