

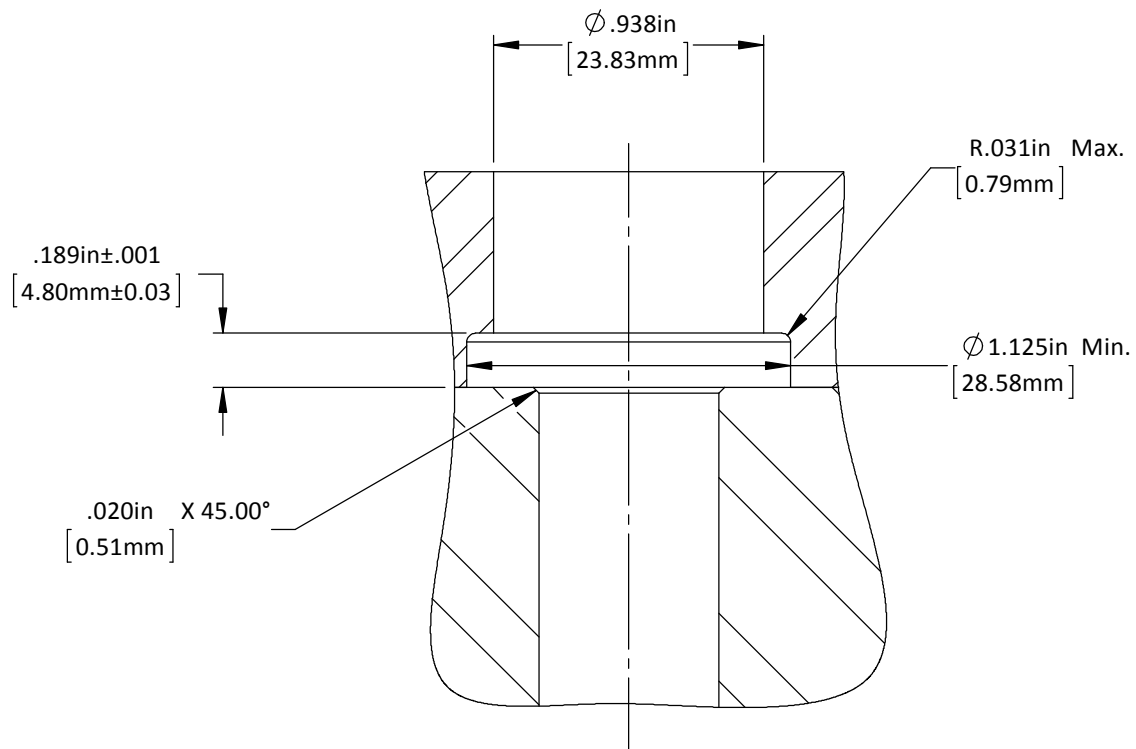
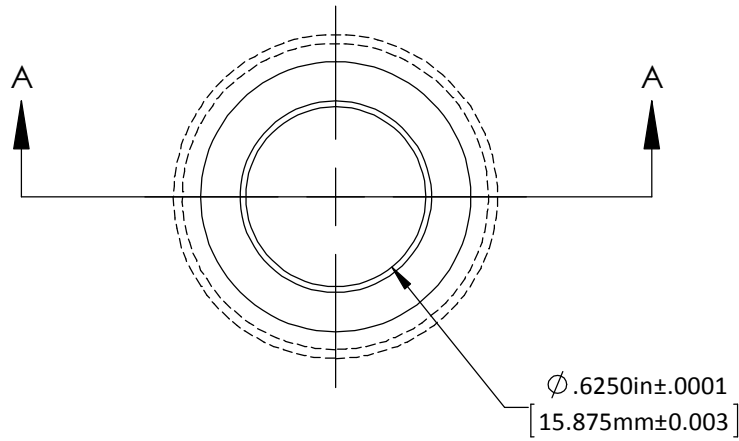
DO NOT SCALE DRAWING

REV 1

This product may be covered by one or more patents or patent applications. See <http://www.standardlifters.com/patents.html> for details.

**Pilot-PA-.625-.100-S-R-W**

STANDARD LIFTERS INC



SECTION A-A

DO NOT SCALE DRAWING

REV 2

This product may be covered by one or more patents or patent applications.  
See <http://www.standardlifters.com/patents.html> for details.

**Pilot-PA-.625-.100-S-R-W-Machining**

STANDARD LIFTERS INC