

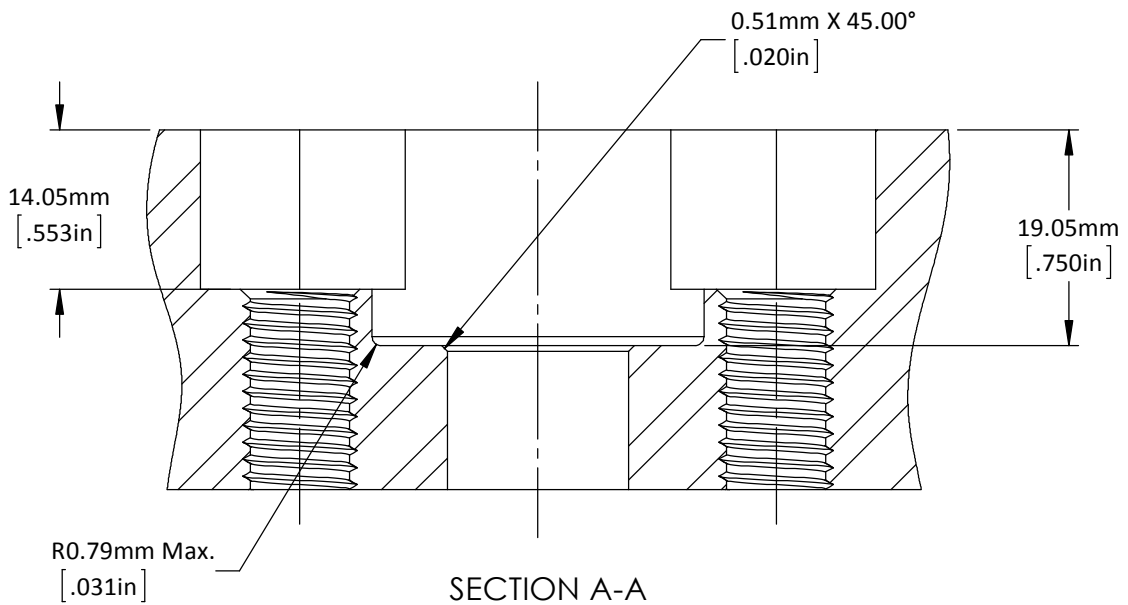
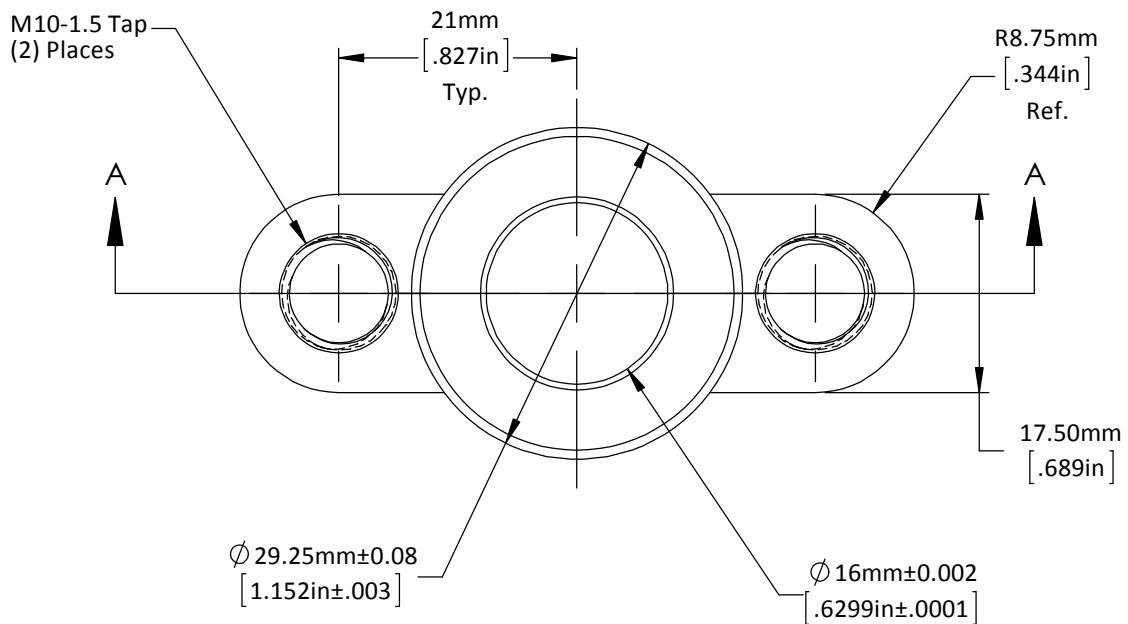
DO NOT SCALE DRAWING

REV 1

**Pilot-PA-16mm-2.5mm-S-R-F**

This product may be covered by one or more patents or patent applications. See <http://www.standardlifters.com/patents.html> for details.

STANDARD LIFTERS INC



DO NOT SCALE DRAWING

REV 2

**Pilot-PA-16mm-2.5mm-S-R-F-Machining**

This product may be covered by one or more patents or  
 patent applications.  
 See <http://www.standardlifters.com/patents.html> for details.

STANDARD LIFTERS INC