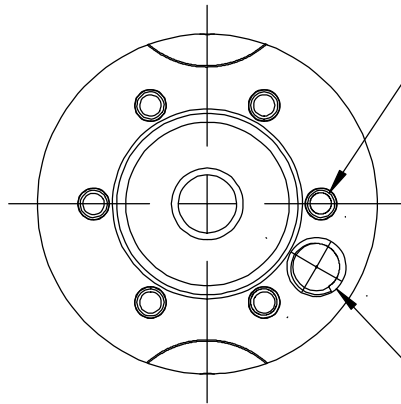


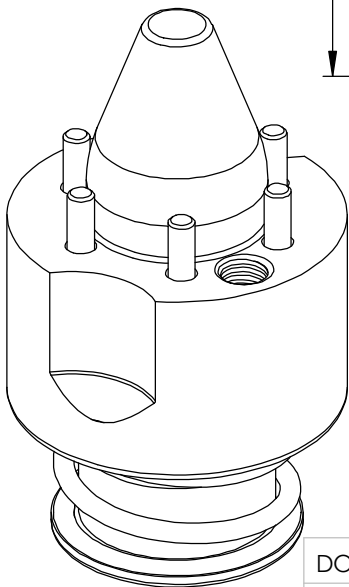
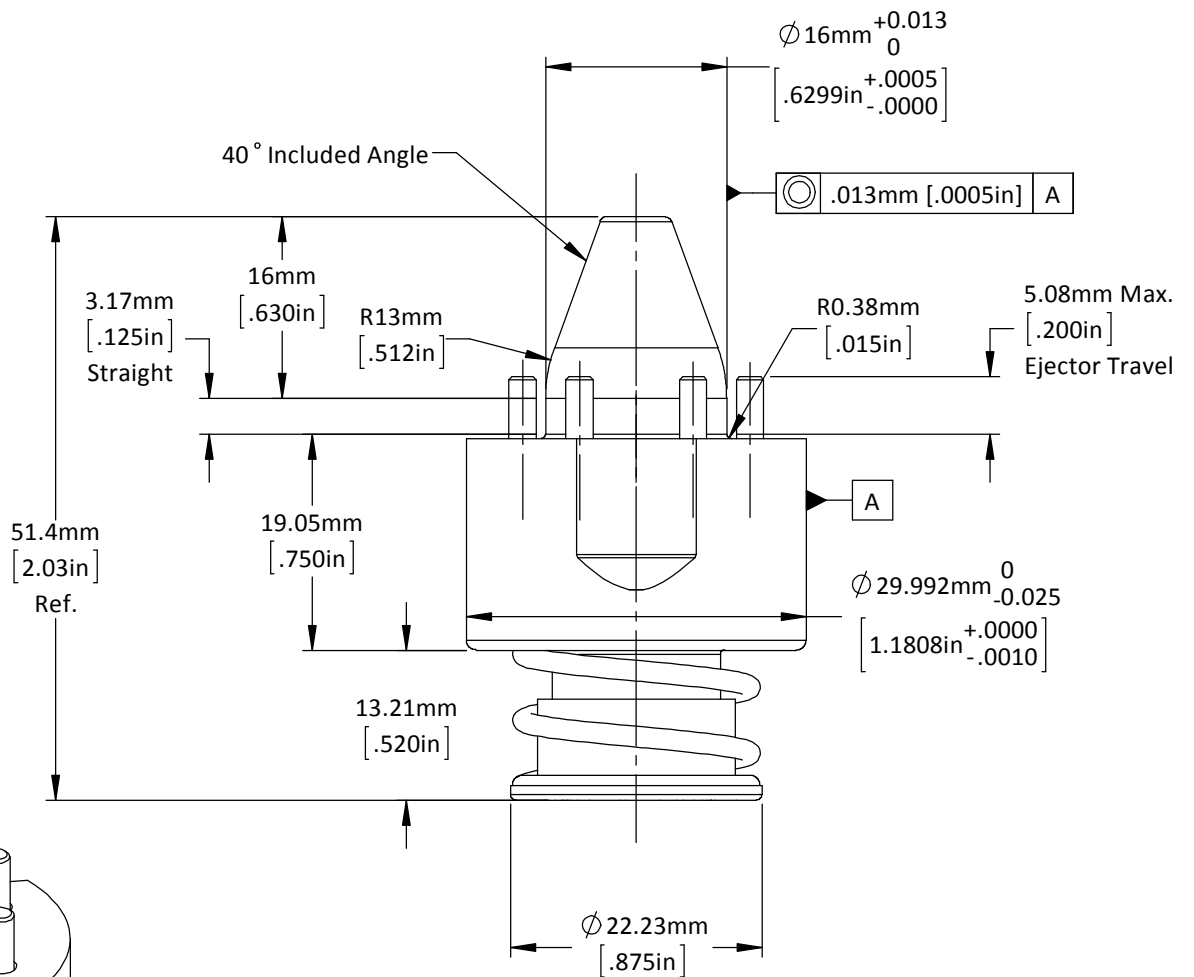
1 Hold Down
PA-16mm-3.2mm-S-P-F1



Ø 2.4mm [.094in] Ejector Pin
 (6) Equally Spaced on a
 Ø 20mm [.790in] Bolt Circle

M5-0.8 Tap

2 Hold Downs
PA-16mm-3.2mm-S-P-F2

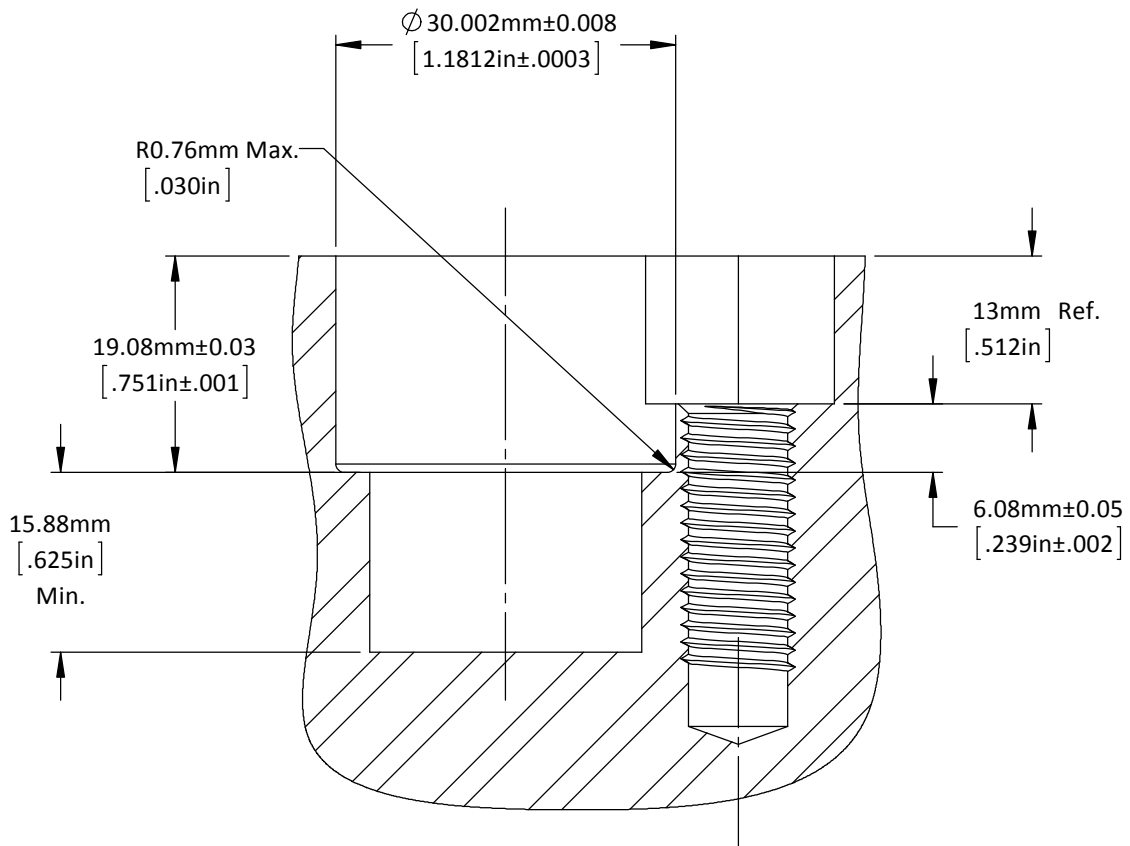
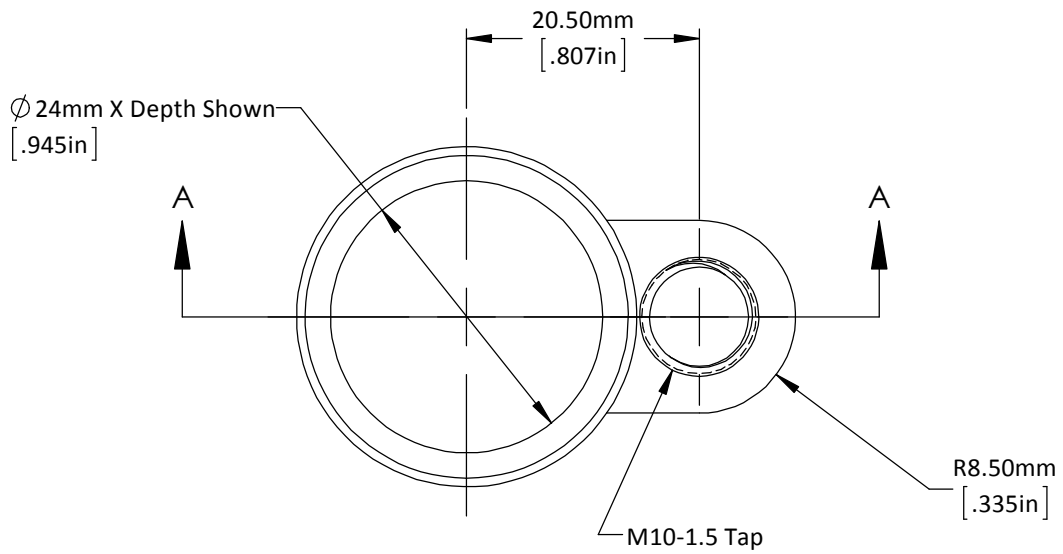


DO NOT SCALE DRAWING REV 5

This product may be covered by one or more patents or patent applications.
 See <http://www.standardlifters.com/patents.html> for details.

Pilot-PA-16mm-3.2mm-S-P-F1 / F2

STANDARD LIFTERS INC



DO NOT SCALE DRAWING

REV 6

Pilot-PA-16mm-3.2mm-S-P-F-Machining

This product may be covered by one or more patents or patent applications. See <http://www.standardlifters.com/patents.html> for details.

STANDARD LIFTERS INC