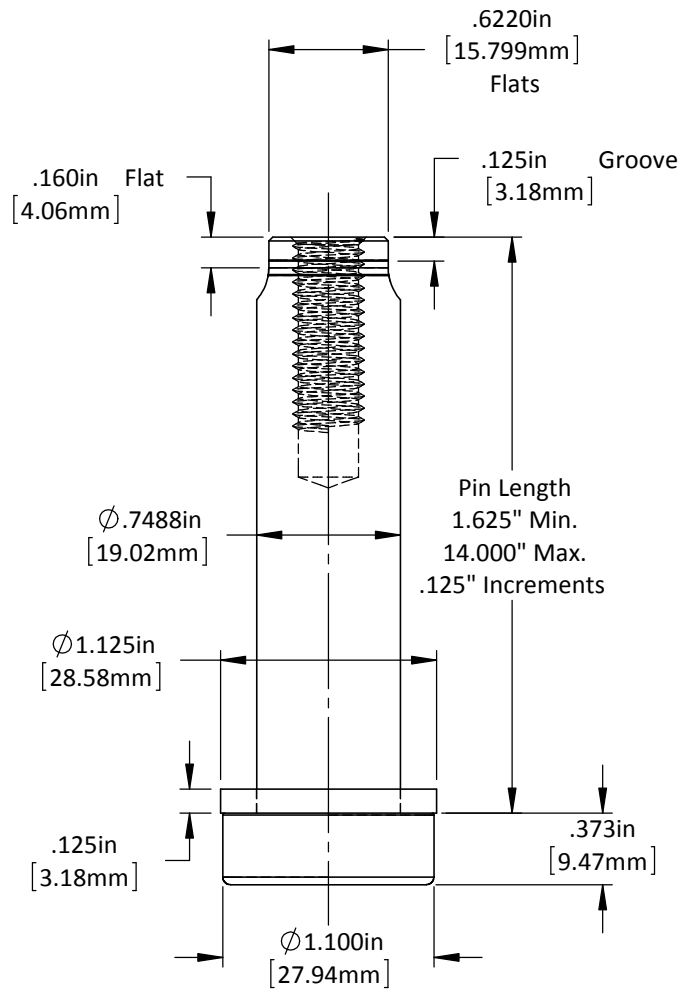
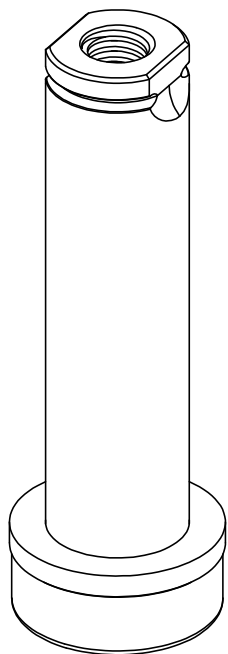


"E" = 3/8-16 Tap
1.00in Dp.

"M" = M10-1.5 Tap
25mm Dp.



DO NOT SCALE DRAWING

REV 1

This product may be covered by one or more patents or patent applications.
See <http://www.standardlifters.com/patents.html> for details.

Guide Pin GK75

STANDARD LIFTERS INC

