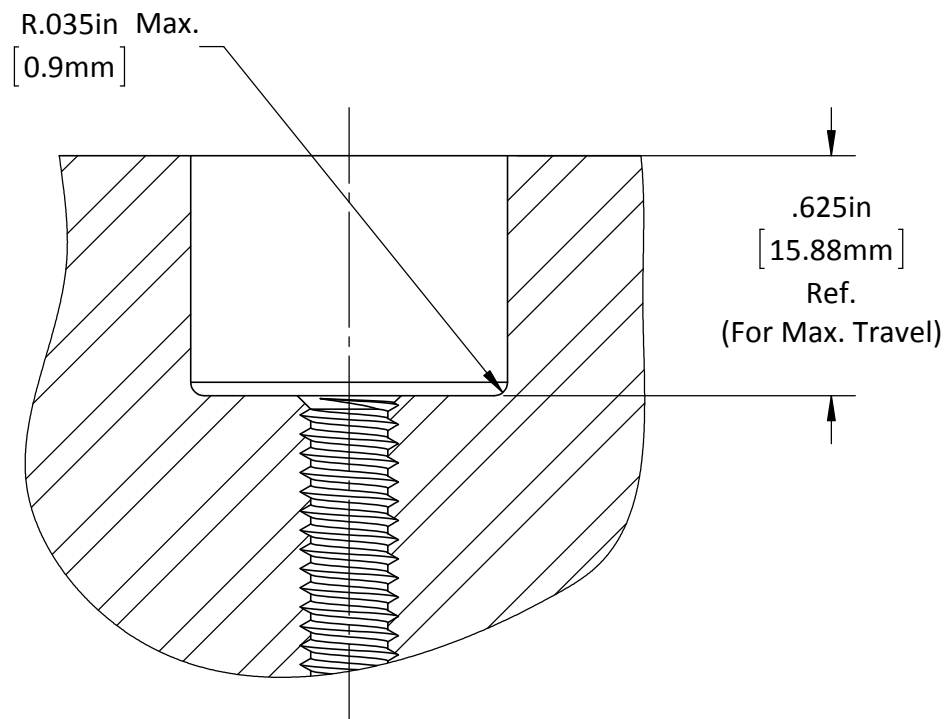
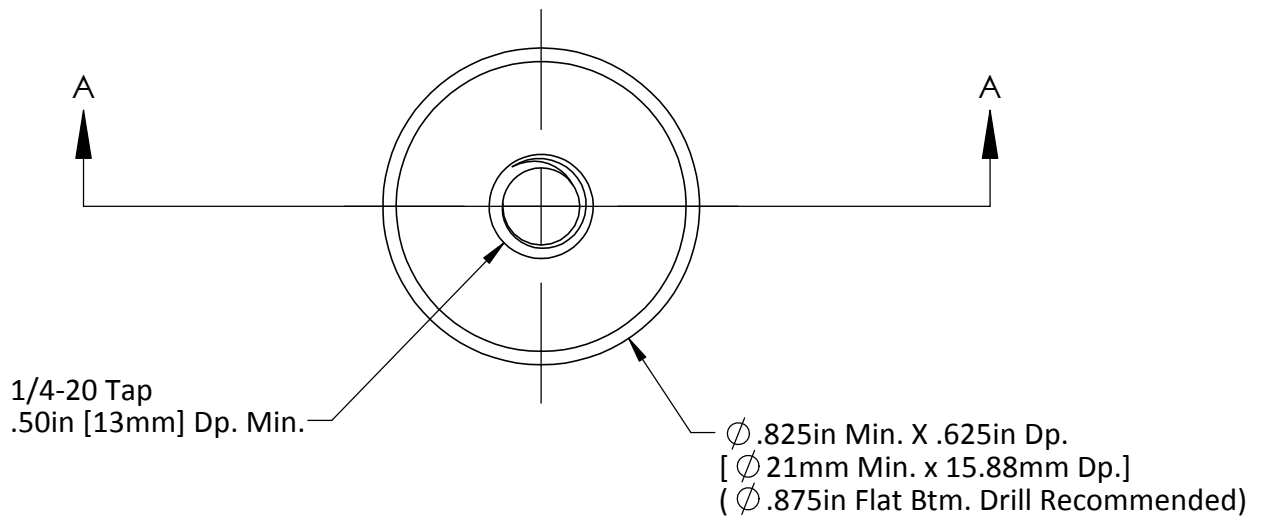


DO NOT SCALE DRAWING REV 1

This product may be covered by one or more patents or patent applications.  
 See <http://www.standardlifters.com/patents.html> for details.

**SE-.750-.125-S-A**

**STANDARD LIFTERS INC**



SECTION A-A

DO NOT SCALE DRAWING	REV 1
<small>This product may be covered by one or more patents or patent applications. See <a href="http://www.standardlifters.com/patents.html">http://www.standardlifters.com/patents.html</a> for details.</small>	

**SE-.750-.125-S-A-Machining**  
**STANDARD LIFTERS INC**