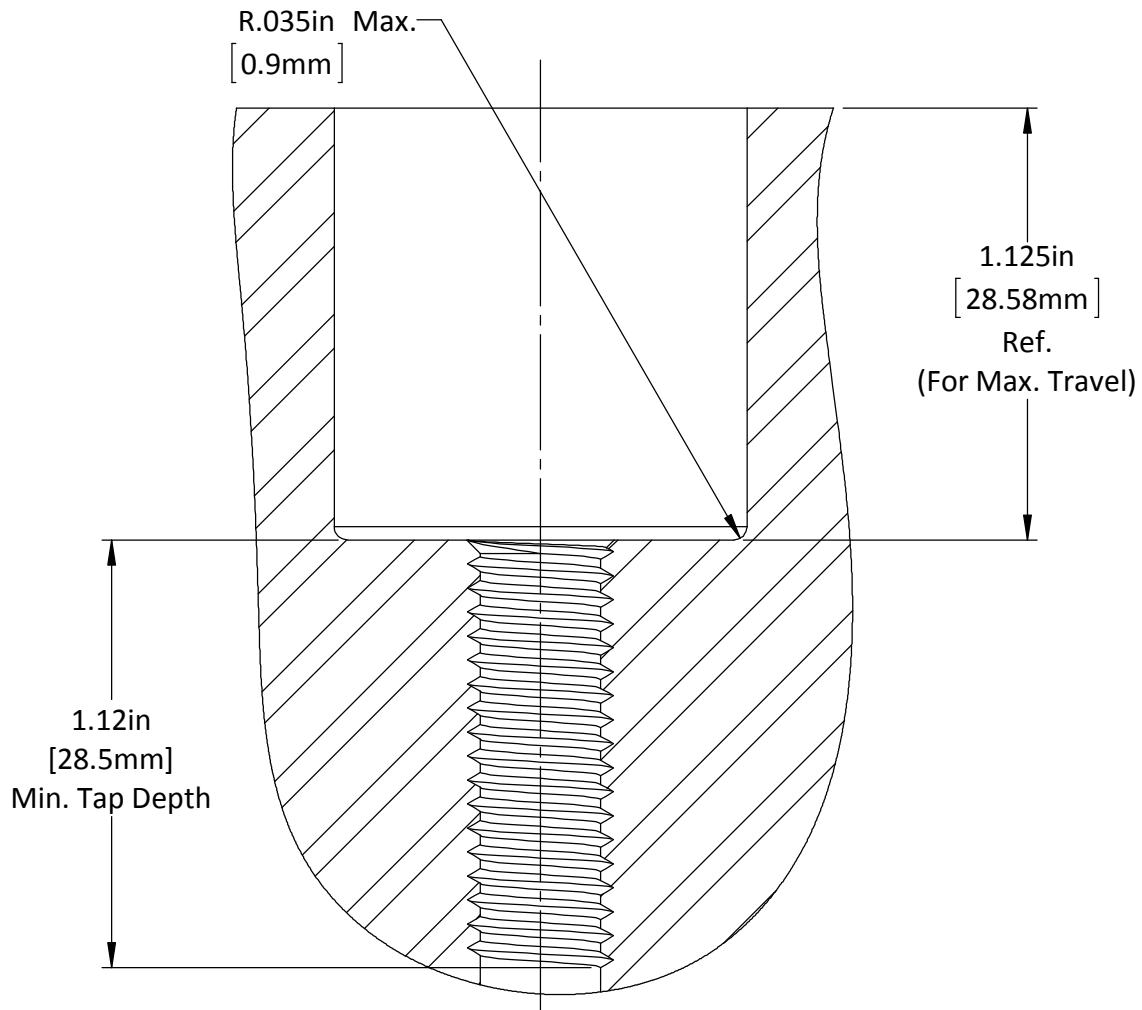
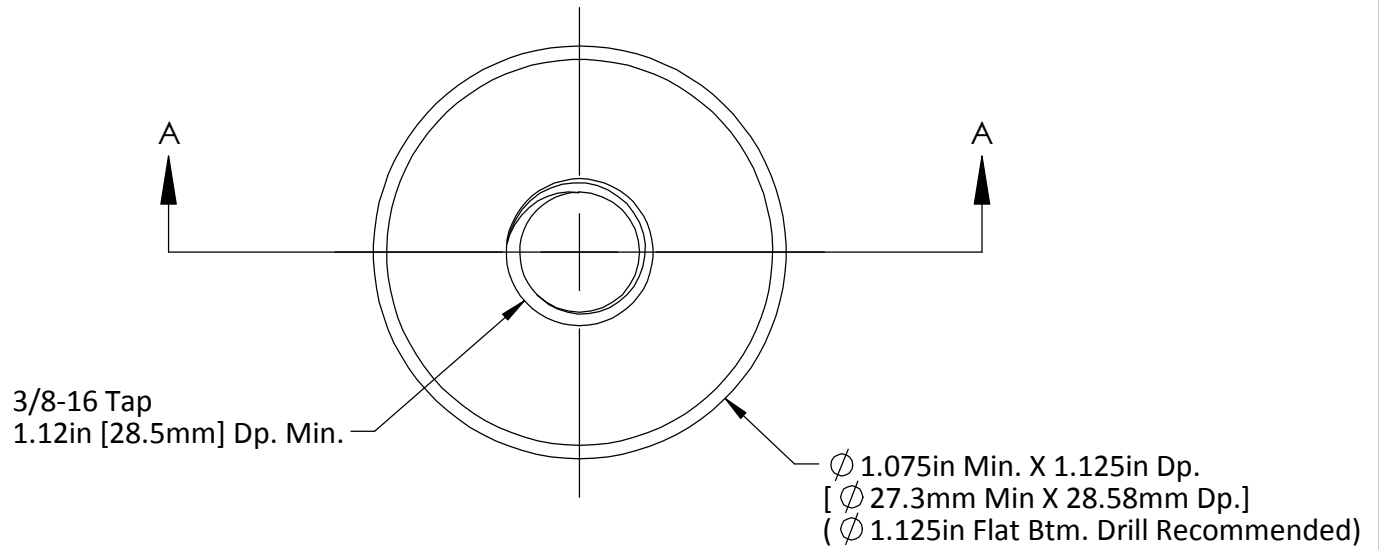


DO NOT SCALE DRAWING REV 2

This product may be covered by one or more patents or patent applications. See <http://www.standardlifters.com/patents.html> for details.

SE-1.00-.188-S-A-T

STANDARD LIFTERS INC



SECTION A-A

DO NOT SCALE DRAWING

REV 2

SE-1.00-.188-S-A-T-Machining

This product may be covered by one or more patents or patent applications.
See <http://www.standardlifters.com/patents.html> for details.

STANDARD LIFTERS INC