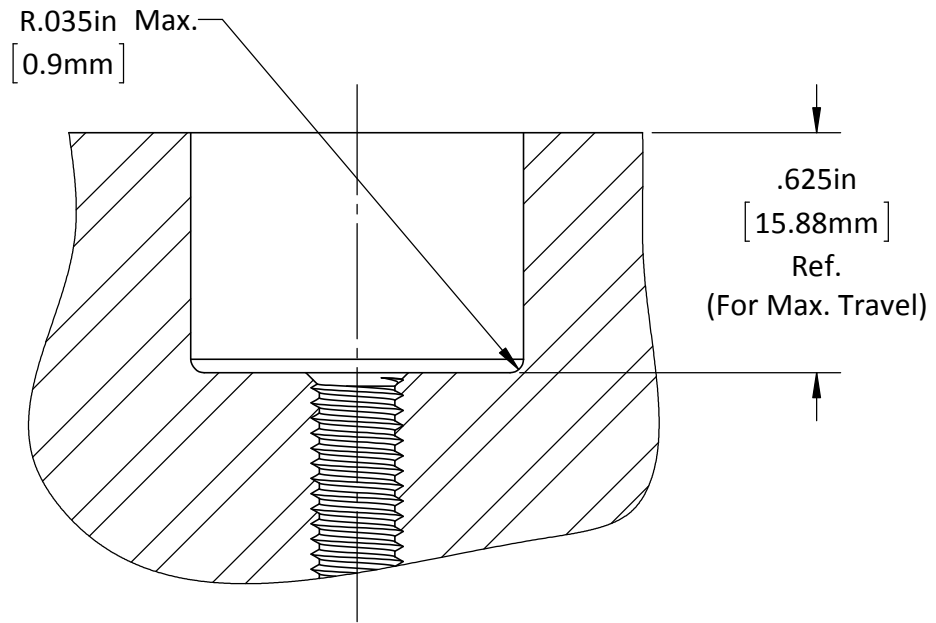
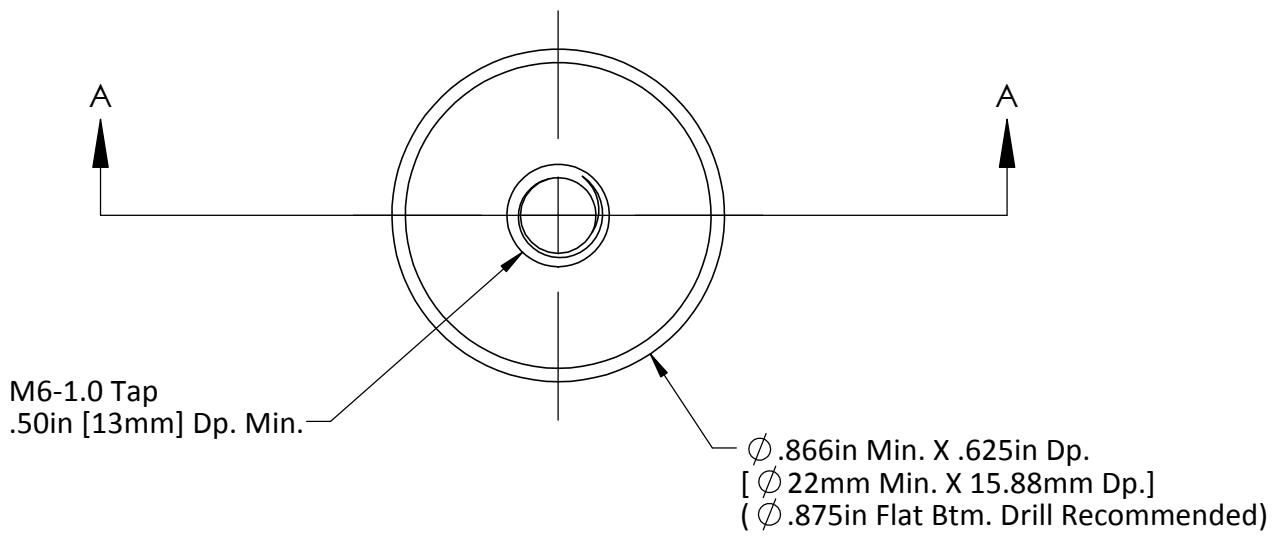


DO NOT SCALE DRAWING | REV 1

This product may be covered by one or more patents or patent applications.
See <http://www.standardlifters.com/patents.html> for details.

SE-20mm-3.2mm-S-A

STANDARD LIFTERS INC



SECTION A-A

DO NOT SCALE DRAWING	REV 1
<small>This product may be covered by one or more patents or patent applications. See http://www.standardlifters.com/patents.html for details.</small>	

SE-20mm-3.2mm-S-A-Machining
STANDARD LIFTERS INC