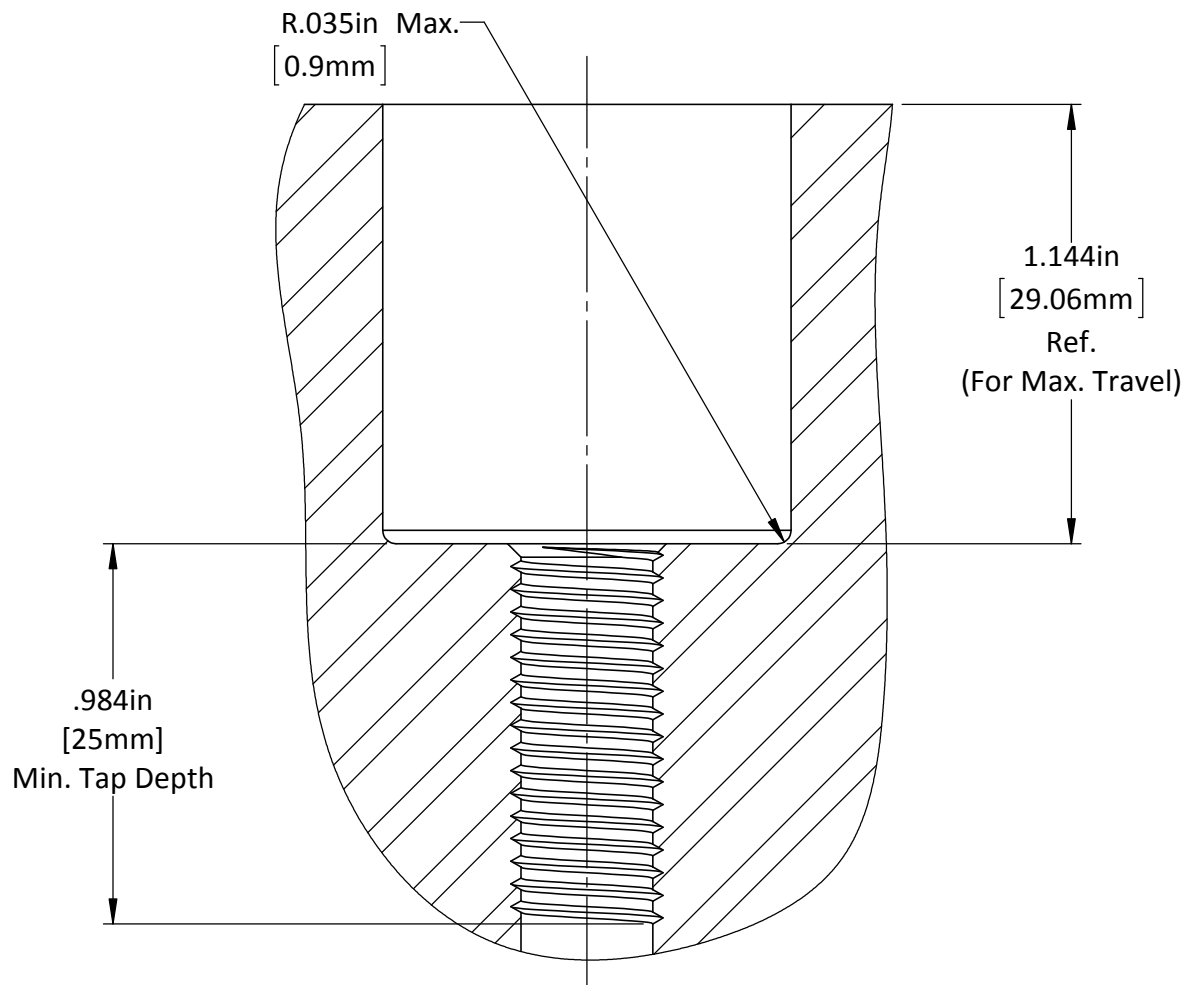
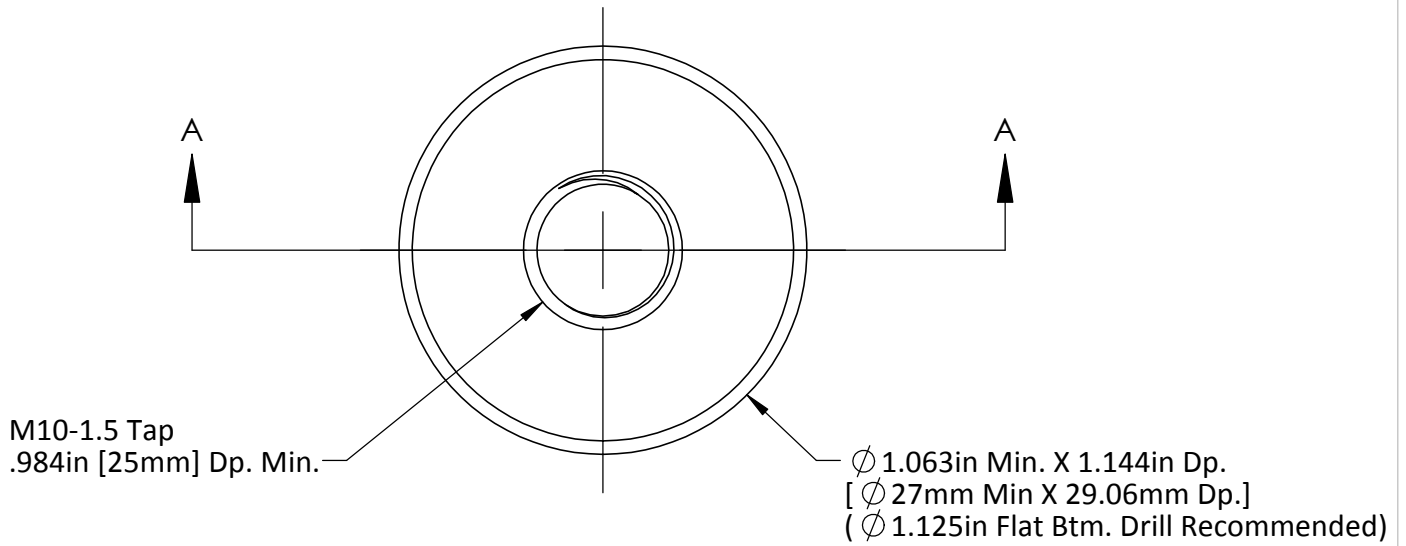


DO NOT SCALE DRAWING REV 1

This product may be covered by one or more patents or patent applications.  
 See <http://www.standardlifters.com/patents.html> for details.

**SE-25mm-4.8mm-S-A-T**

**STANDARD LIFTERS INC**



SECTION A-A

DO NOT SCALE DRAWING

REV 1

This product may be covered by one or more patents or patent applications.  
See <http://www.standardlifters.com/patents.html> for details.

**SE-25mm-4.8mm-S-A-T-Machining**

**STANDARD LIFTERS INC**