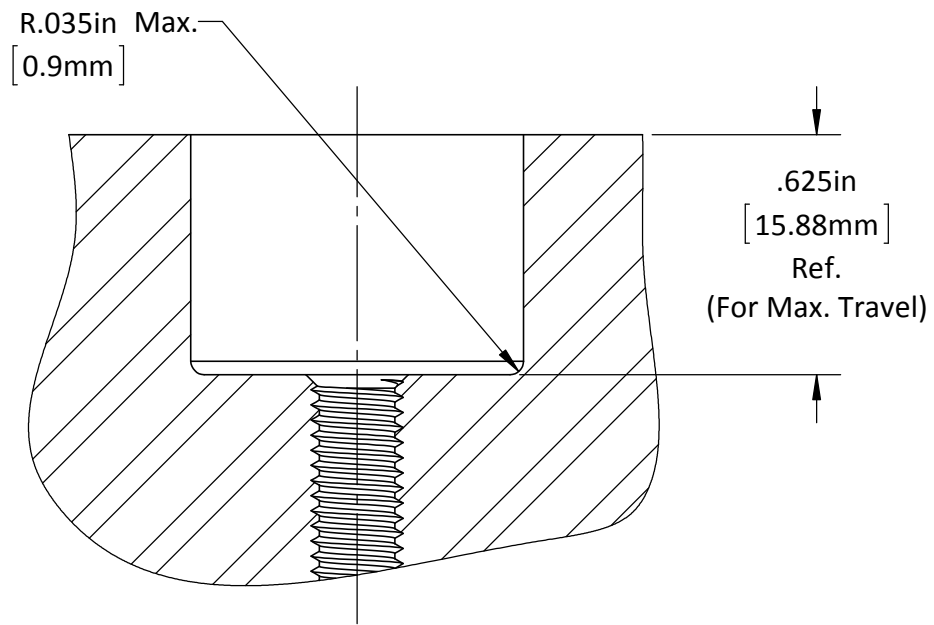
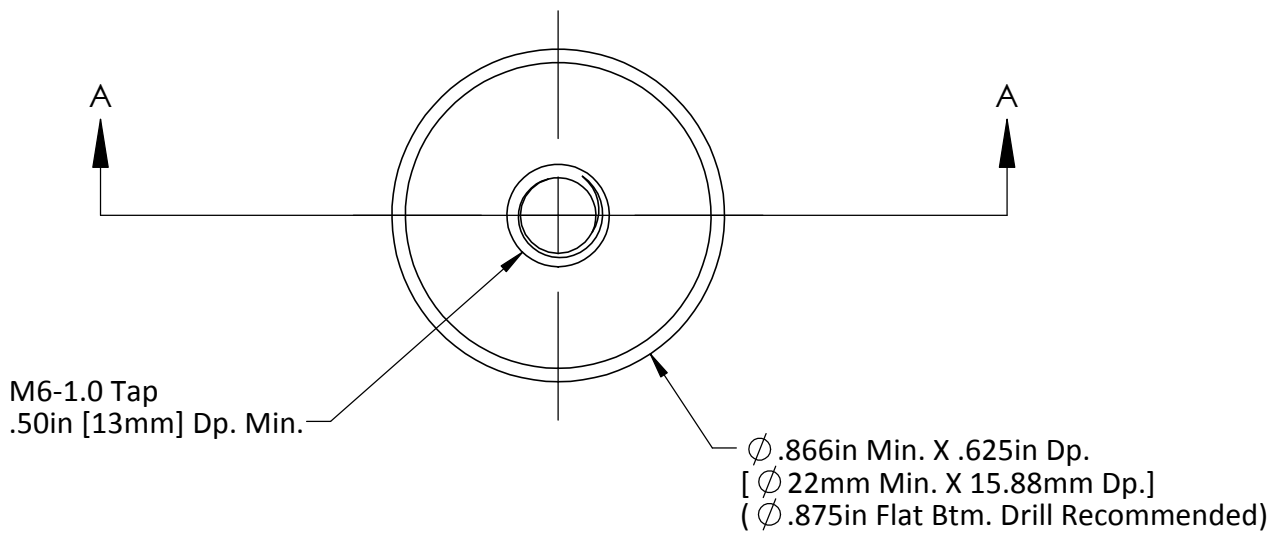


DO NOT SCALE DRAWING | REV 1

This product may be covered by one or more patents or patent applications.
See <http://www.standardlifters.com/patents.html> for details.

SE-20mm-3.2mm-S-A

STANDARD LIFTERS INC

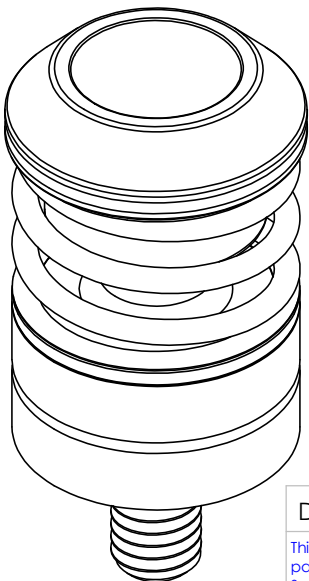
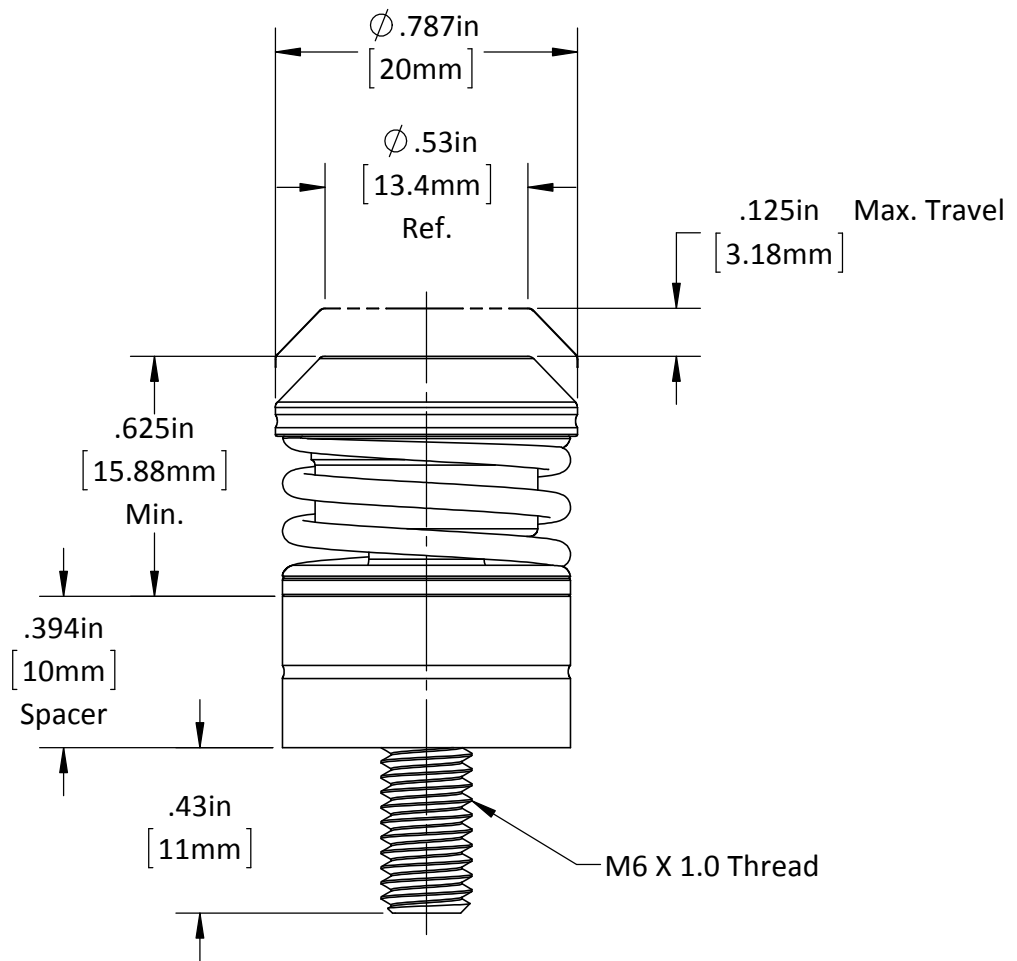
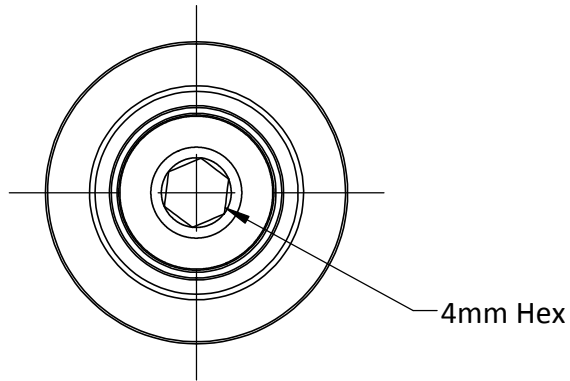


SECTION A-A

DO NOT SCALE DRAWING REV 1

This product may be covered by one or more patents or patent applications.
See <http://www.standardlifters.com/patents.html> for details.

SE-20mm-3.2mm-S-A-Machining
STANDARD LIFTERS INC

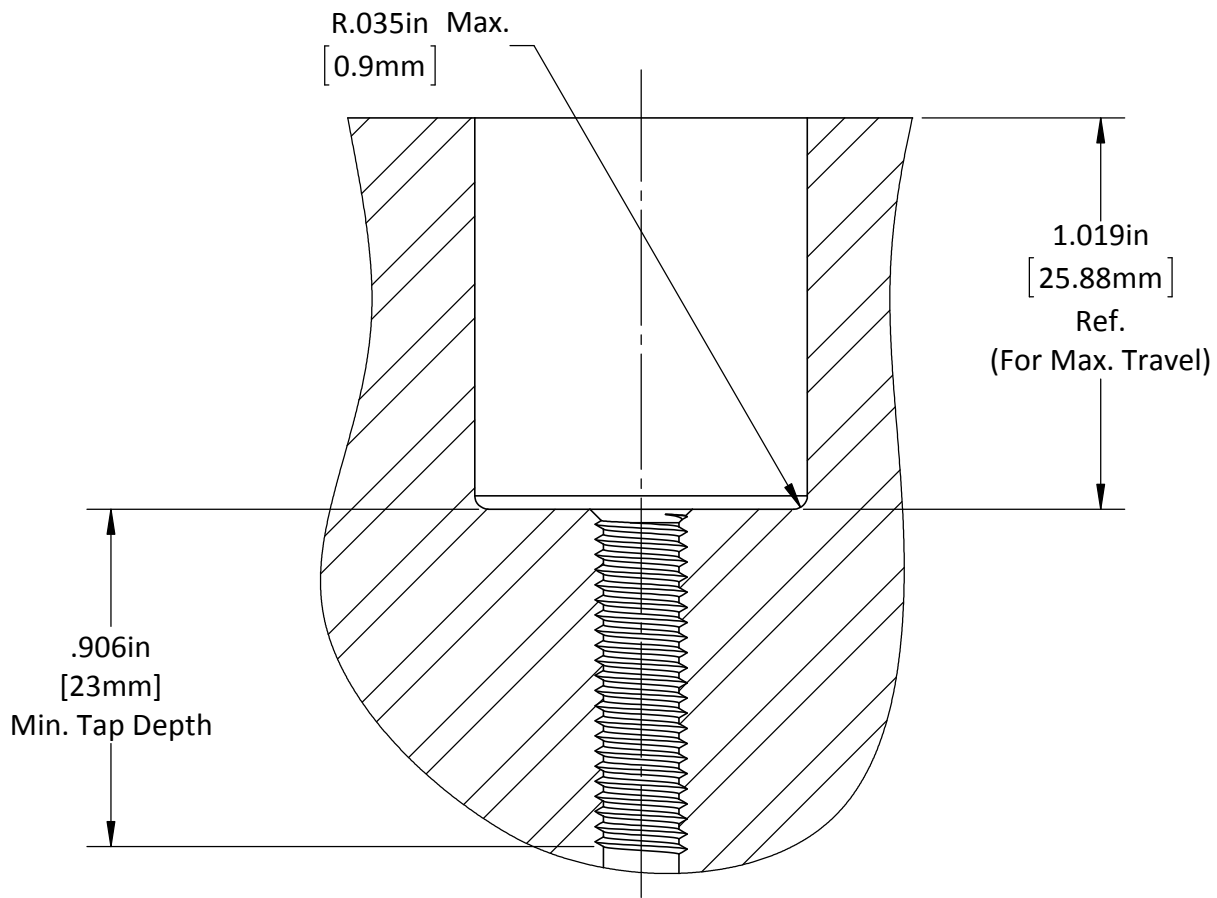
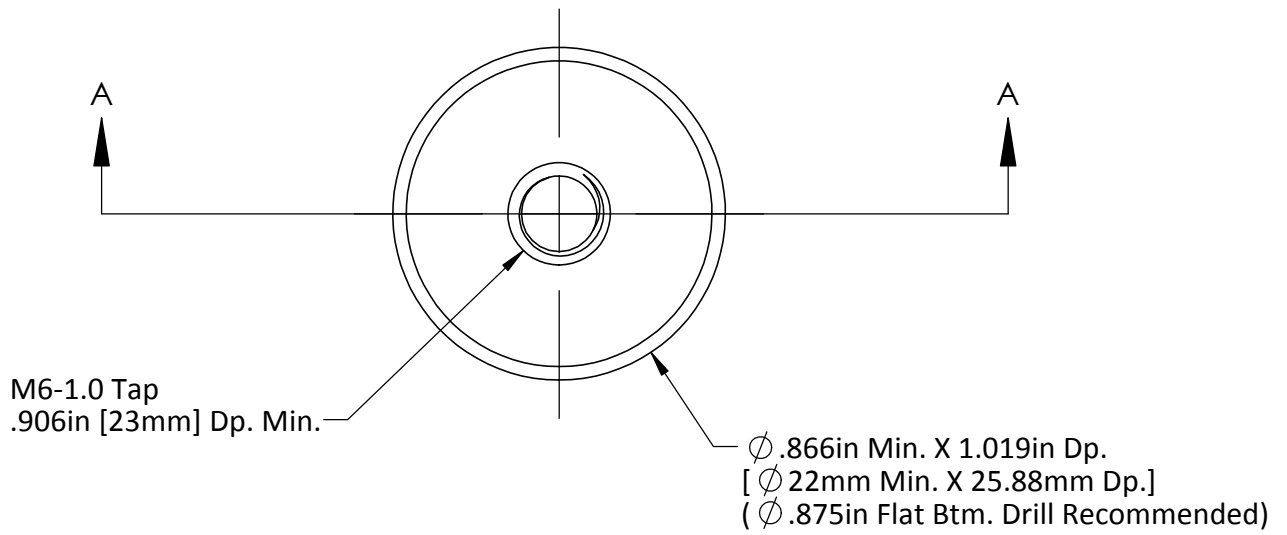


DO NOT SCALE DRAWING REV 1

This product may be covered by one or more patents or patent applications.
 See <http://www.standardlifters.com/patents.html> for details.

SE-20mm-3.2mm-S-A-T

STANDARD LIFTERS INC



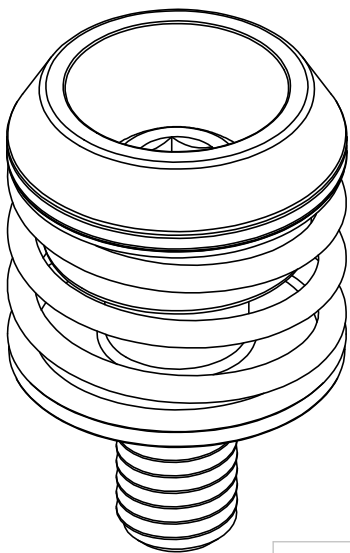
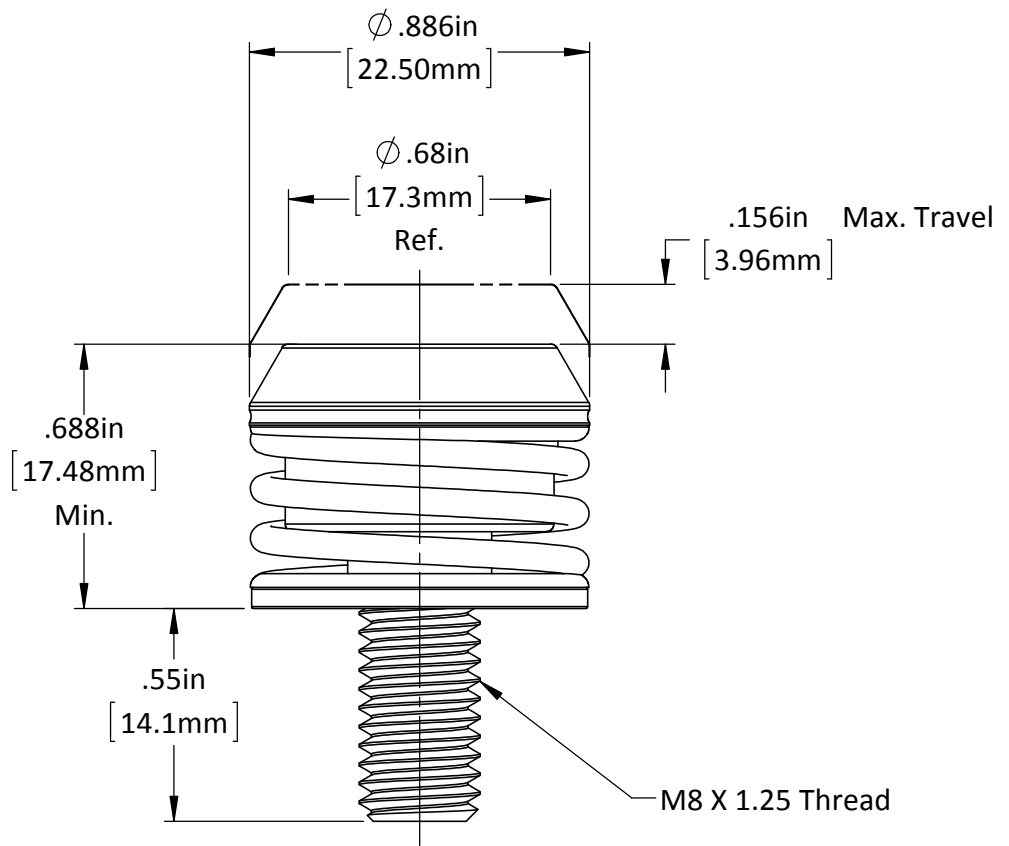
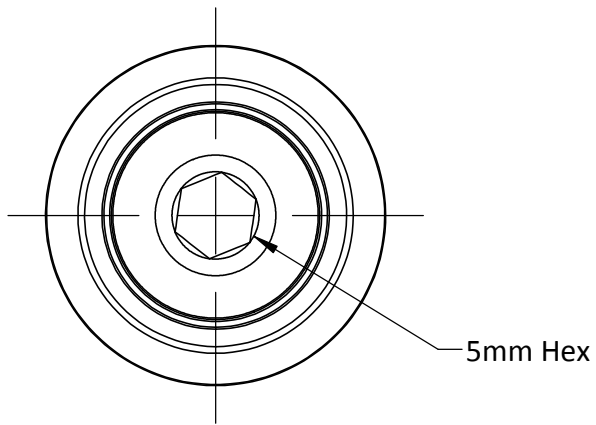
SECTION A-A

DO NOT SCALE DRAWING REV 1

This product may be covered by one or more patents or patent applications.
See <http://www.standardlifters.com/patents.html> for details.

SE-20mm-3.2mm-S-A-T-Machining

STANDARD LIFTERS INC

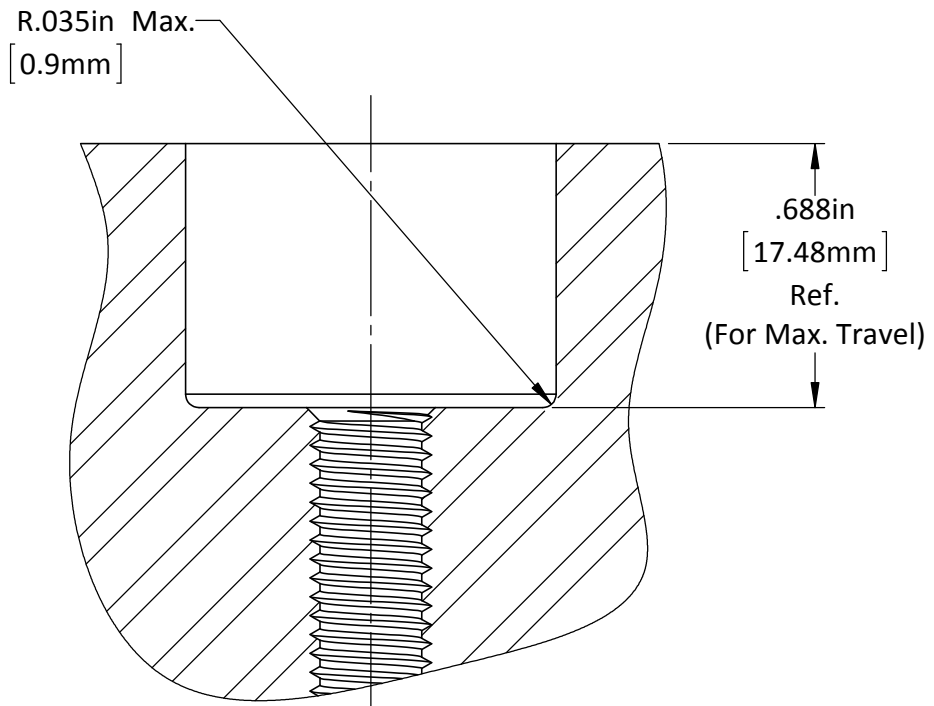
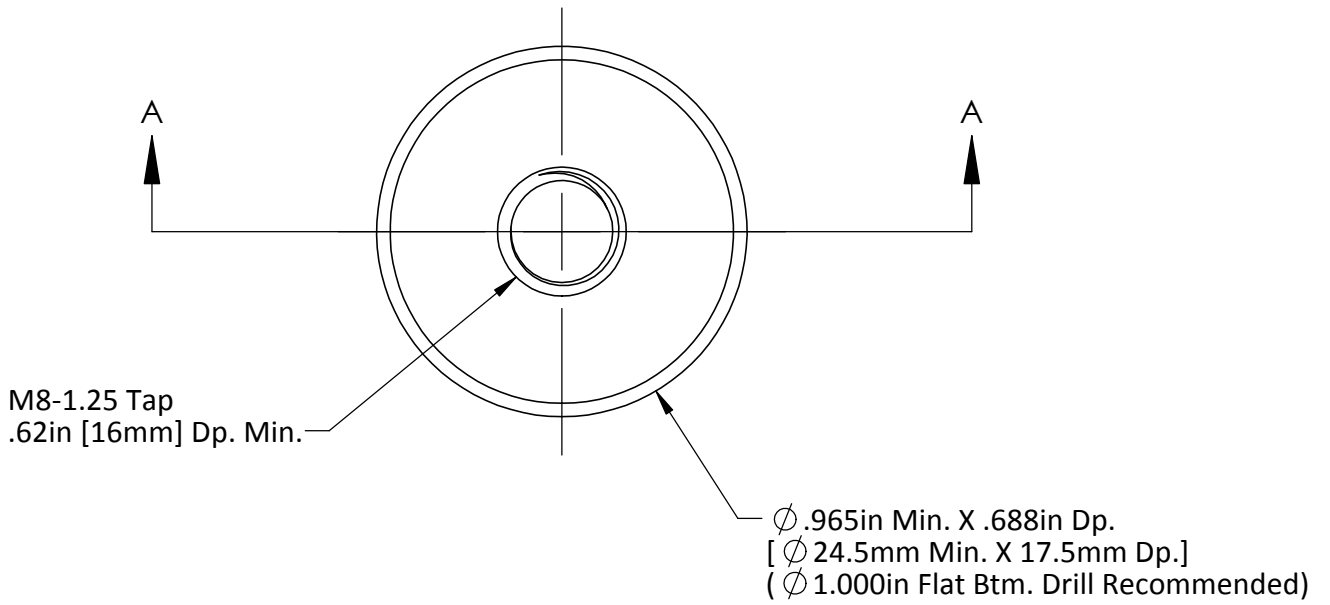


DO NOT SCALE DRAWING REV 1

This product may be covered by one or more patents or patent applications.
 See <http://www.standardlifters.com/patents.html> for details.

SE-22.5mm-4mm-S-A

STANDARD LIFTERS INC



SECTION A-A

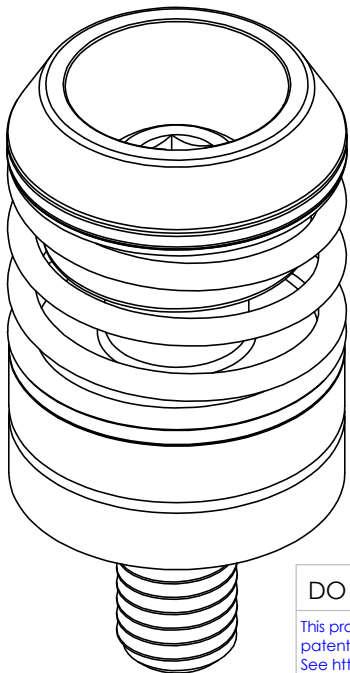
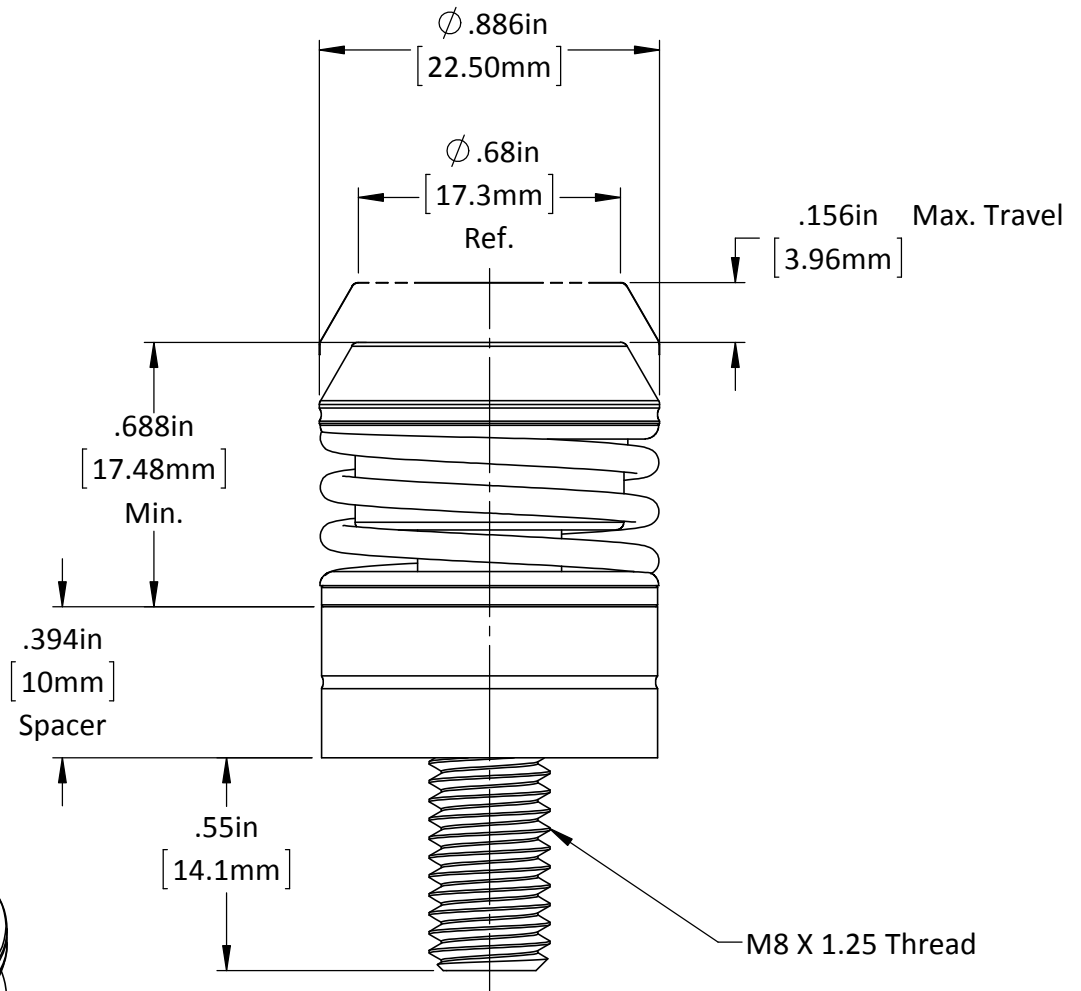
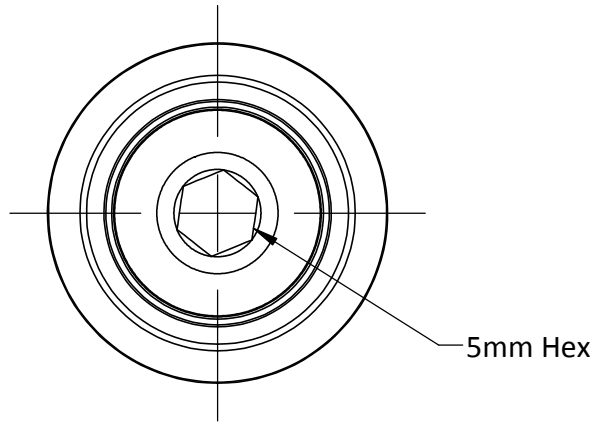
DO NOT SCALE DRAWING

REV 1

This product may be covered by one or more patents or patent applications.
See <http://www.standardlifters.com/patents.html> for details.

SE-22.5mm-4mm-S-A-Machining

STANDARD LIFTERS INC

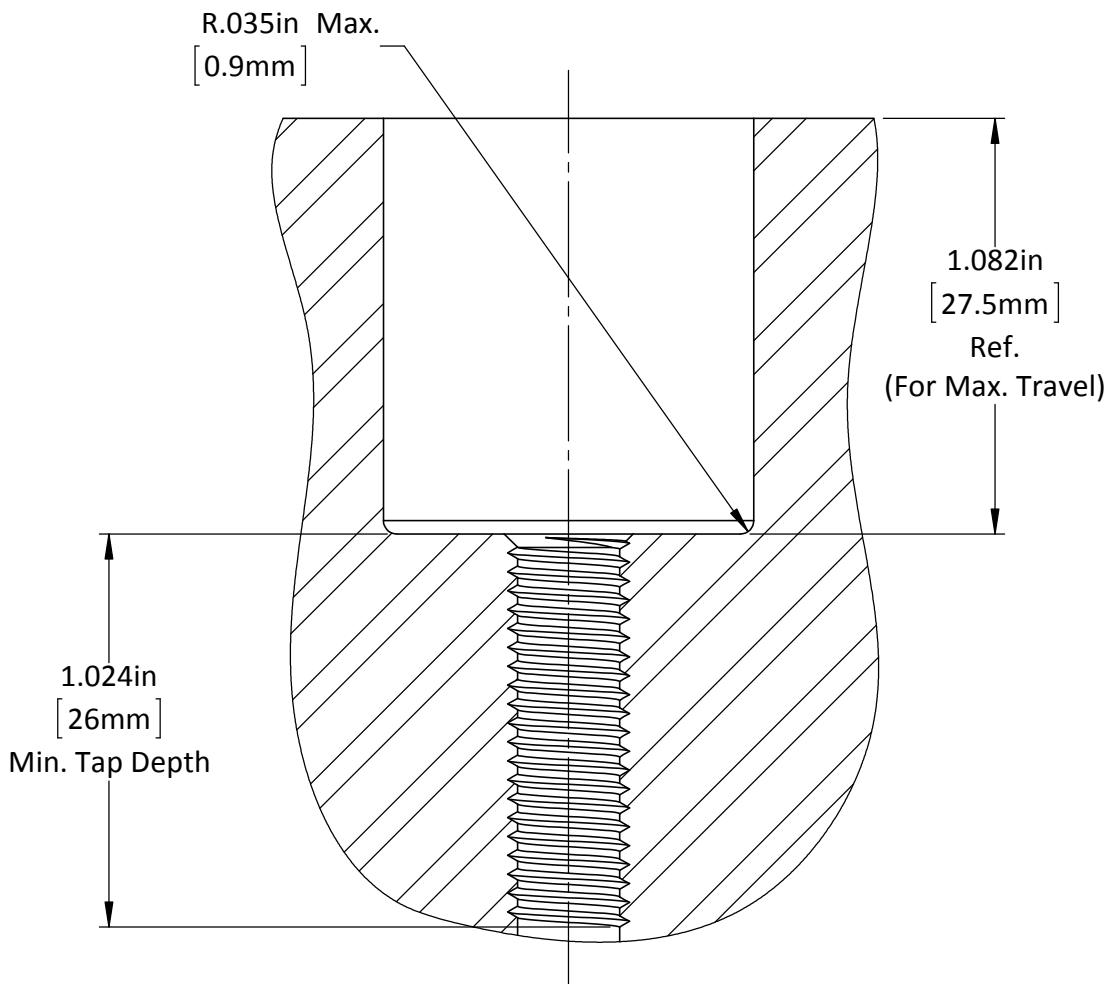
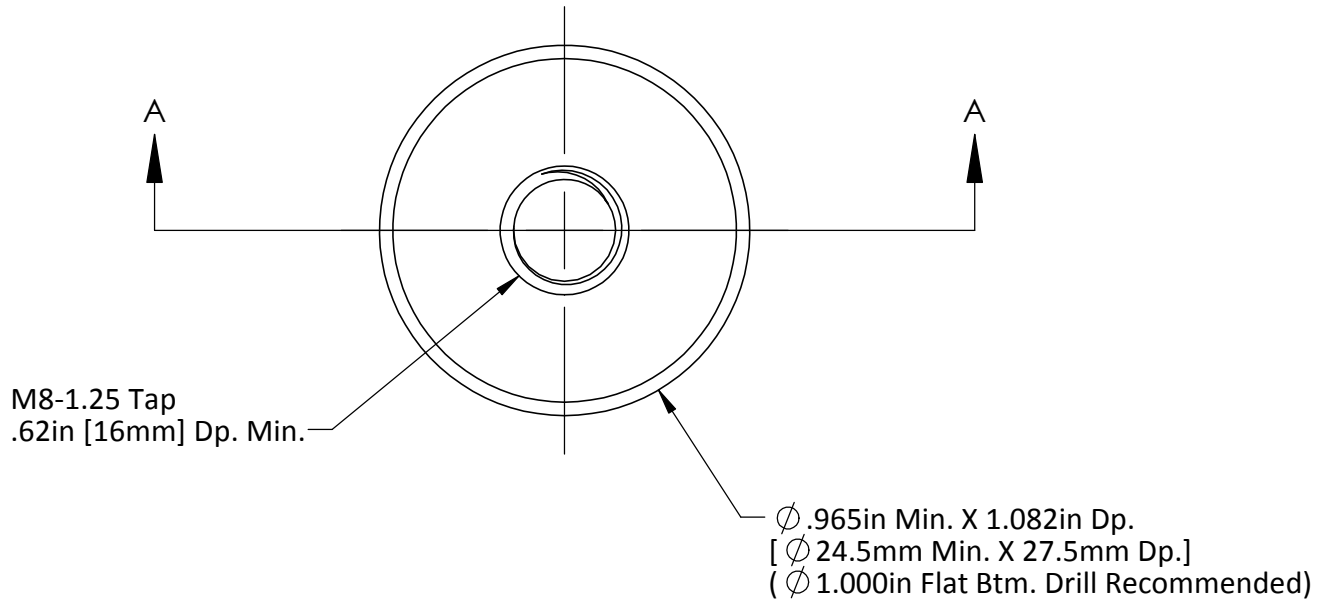


DO NOT SCALE DRAWING | REV 1

This product may be covered by one or more patents or patent applications.
 See <http://www.standardlifters.com/patents.html> for details.

SE-22.5mm-4mm-S-A-T

STANDARD LIFTERS INC



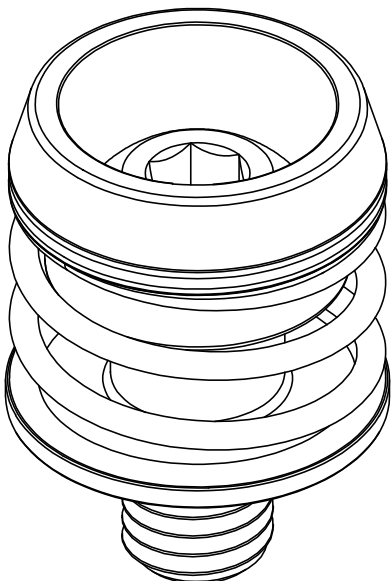
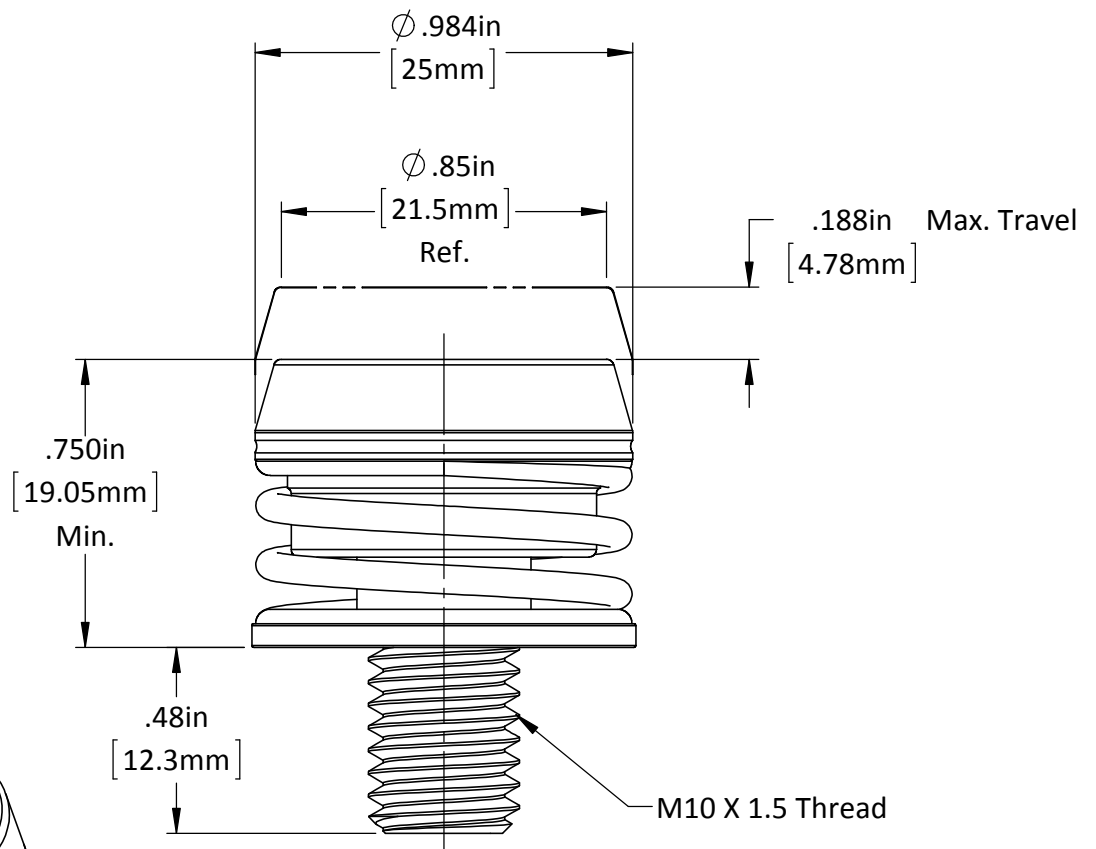
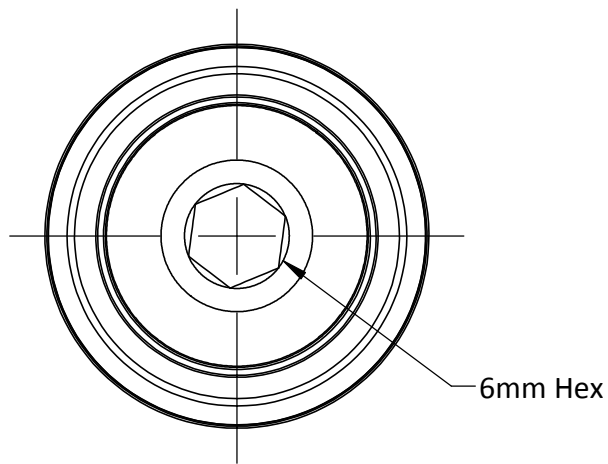
SECTION A-A

DO NOT SCALE DRAWING REV 1

This product may be covered by one or more patents or patent applications.
See <http://www.standardlifters.com/patents.html> for details.

SE-22.5mm-4mm-S-A-T-Machining

STANDARD LIFTERS INC



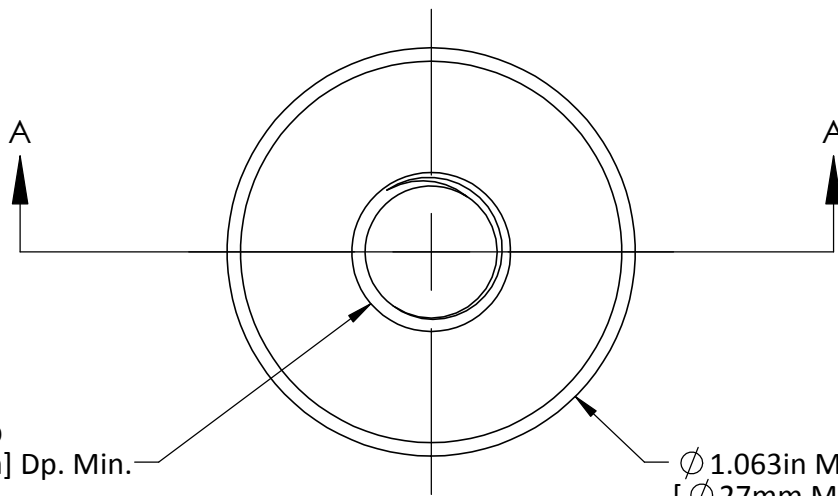
DO NOT SCALE DRAWING

REV 1

This product may be covered by one or more patents or patent applications.
 See <http://www.standardlifters.com/patents.html> for details.

SE-25mm-4.8mm-S-A

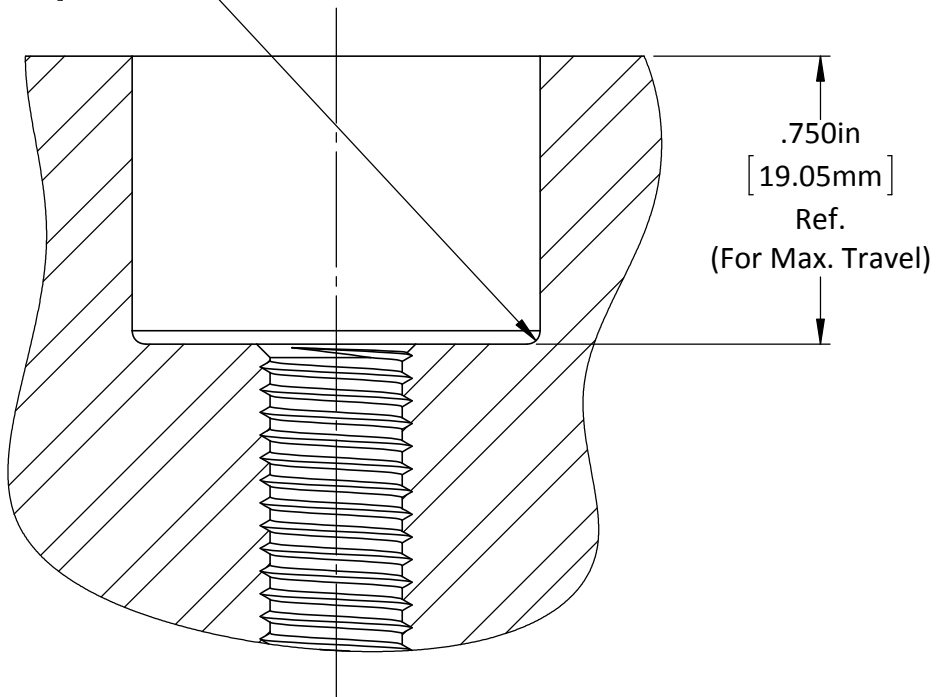
STANDARD LIFTERS INC



M10-1.5 Tap
 .75in [20mm] Dp. Min.

∅ 1.063in Min. X .750in Dp.
 [∅ 27mm Min X 19.05mm Dp.]
 (∅ 1.125in Flat Btm. Drill Recommended)

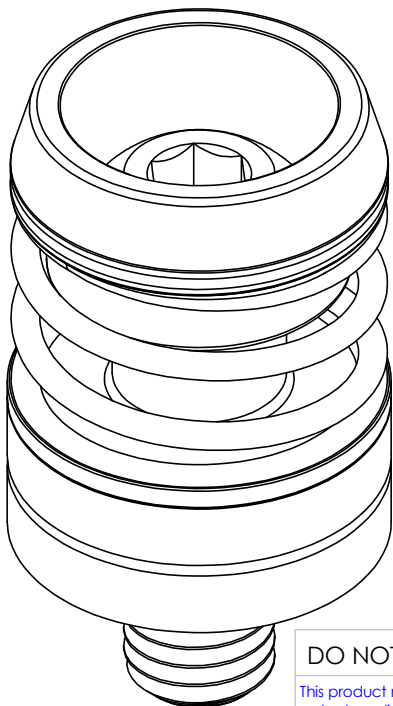
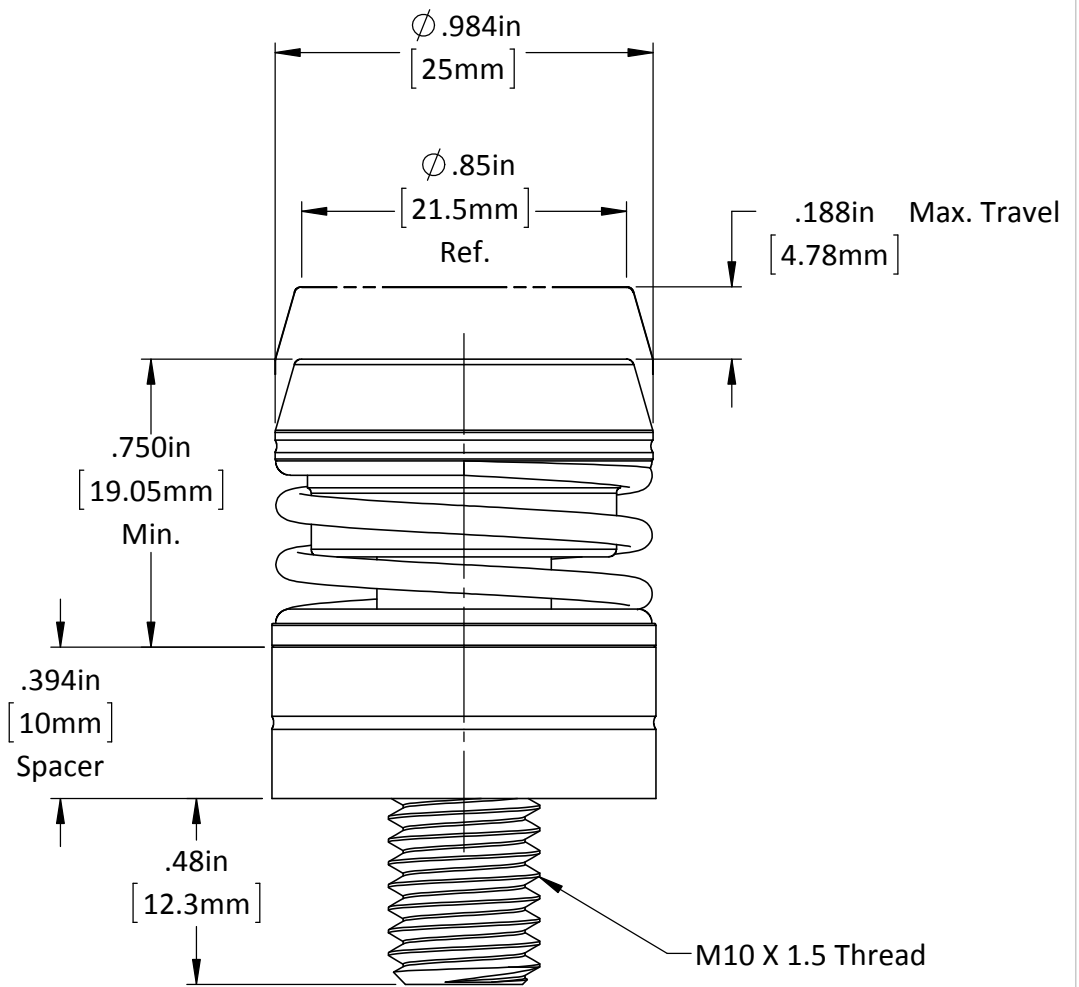
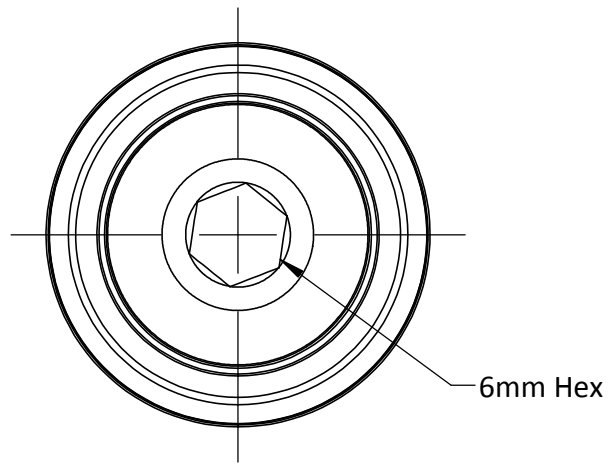
R.035in Max.
 [0.9mm]



SECTION A-A

| | |
|-------------------------------------------------------------------------------------------------------------------------------------------------------------------------------------------------------------------------------|-------|
| DO NOT SCALE DRAWING | REV 1 |
| <small>This product may be covered by one or more patents or patent applications. See http://www.standardlifters.com/patents.html for details.</small> | |

SE-25mm-4.8mm-S-A-Machining
STANDARD LIFTERS INC

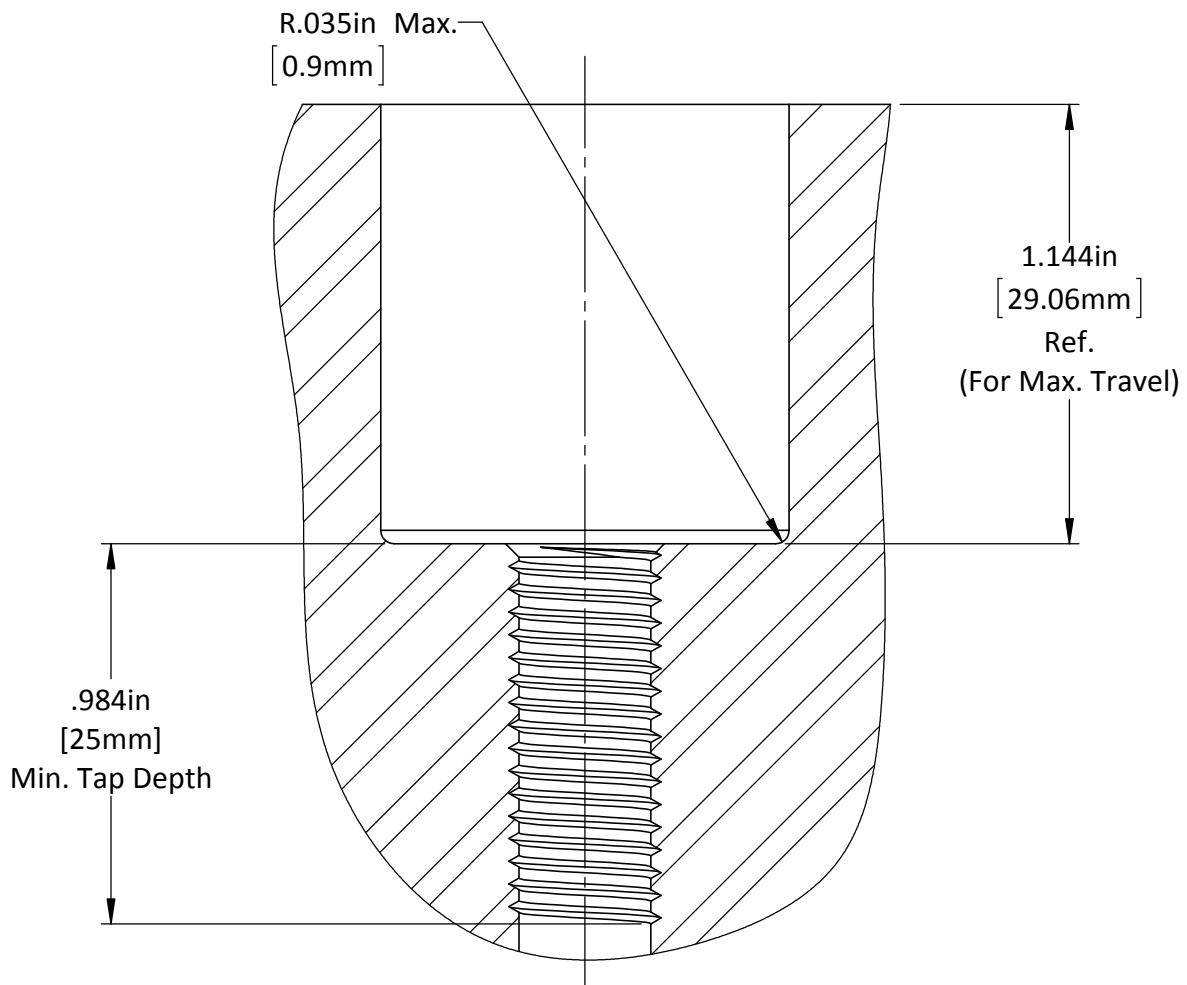
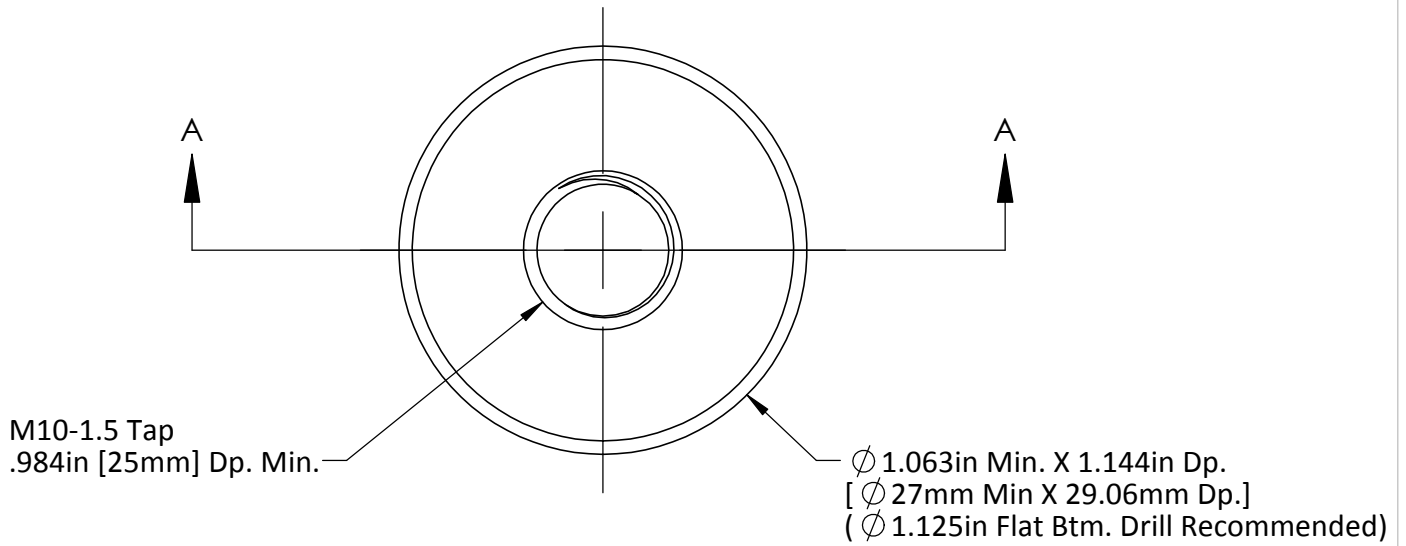


DO NOT SCALE DRAWING REV 1

This product may be covered by one or more patents or patent applications.
 See <http://www.standardlifters.com/patents.html> for details.

SE-25mm-4.8mm-S-A-T

STANDARD LIFTERS INC



SECTION A-A

DO NOT SCALE DRAWING

REV 1

This product may be covered by one or more patents or patent applications.
See <http://www.standardlifters.com/patents.html> for details.

SE-25mm-4.8mm-S-A-T-Machining

STANDARD LIFTERS INC