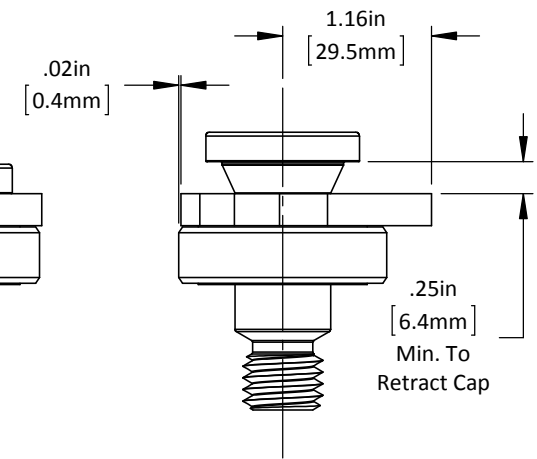
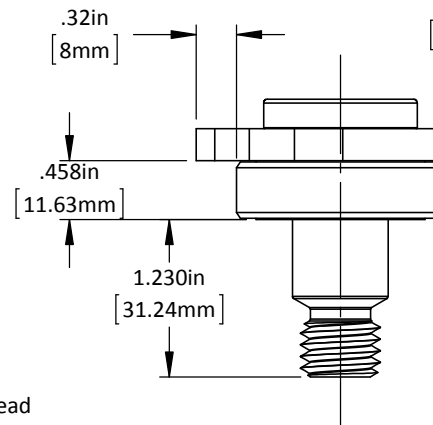
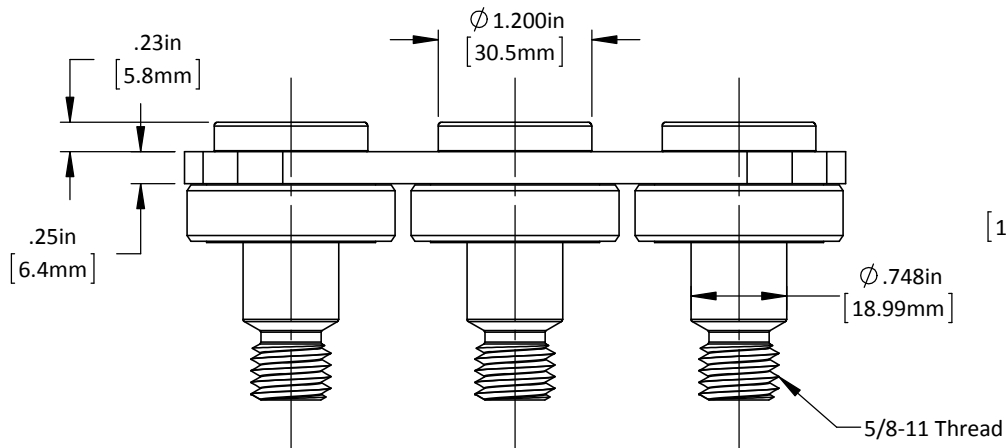
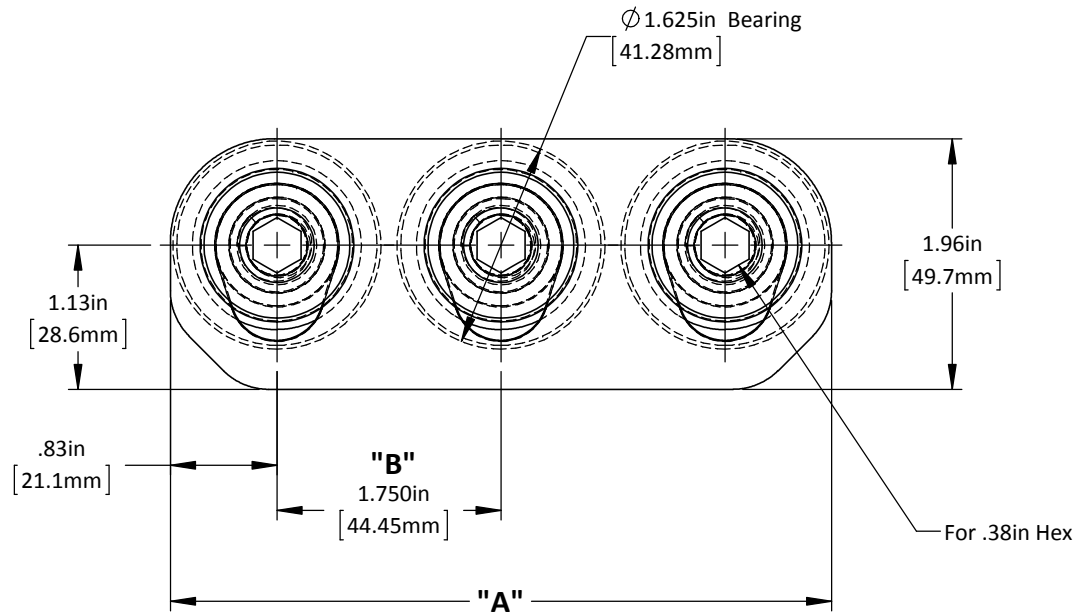


Product Number	"A" Dim.	"B" Spaces	No. of Brgs.
SG-B-E-C-1.96-5.17	5.17in [131.2mm]	2	3
SG-B-E-C-1.96-6.92	6.92in [175.7mm]	3	4
SG-B-E-C-1.96-8.67	8.67in [220.1mm]	4	5
SG-B-E-C-1.96-10.42	10.42in [264.6mm]	5	6



Retracted Stock Guide Cap

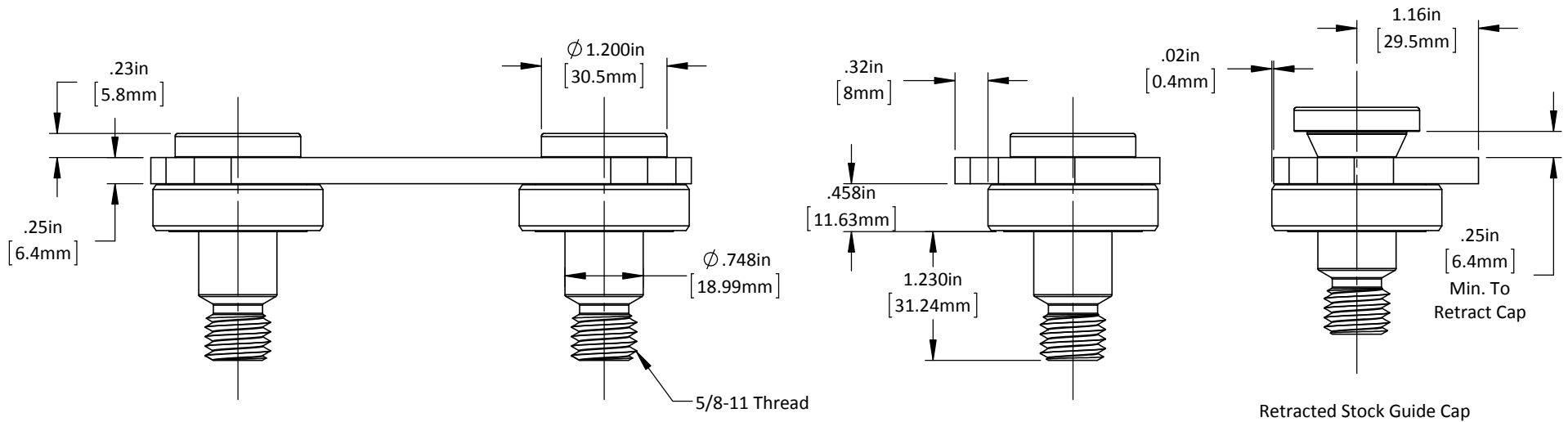
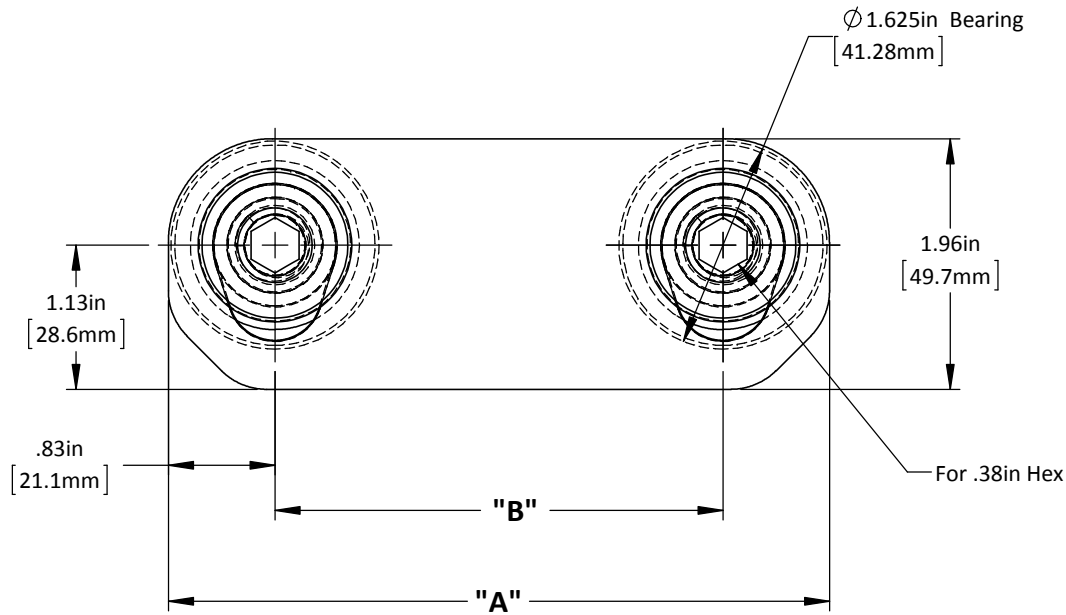
DO NOT SCALE DRAWING REV 1

This product may be covered by one or more patents or patent applications. See <http://www.standardlifters.com/patents.html> for details.

Stock Guide-SG-B-E-C-1.96

STANDARD LIFTERS INC

Product Number	"A" Dim.	"B" Dim.
SG-B-E-O-1.96-3.42	3.42in [86.8mm]	1.750in [44.45mm]
SG-B-E-O-1.96-5.17	5.17in [131.2mm]	3.500in [88.9mm]
SG-B-E-O-1.96-6.92	6.92in [175.7mm]	5.250in [133.35mm]
SG-B-E-O-1.96-8.67	8.67in [220.1mm]	7.000in [177.8mm]
SG-B-E-O-1.96-10.42	10.42in [264.6mm]	8.750in [222.25mm]
SG-B-E-O-1.96-12.17	12.17in [309mm]	10.500in [266.8mm]
SG-B-E-O-1.96-15.67	15.67in [397.9mm]	14.000in [355.6mm]
SG-B-E-O-1.96-19.17	19.17in [486.8mm]	17.500in [444.5mm]



DO NOT SCALE DRAWING

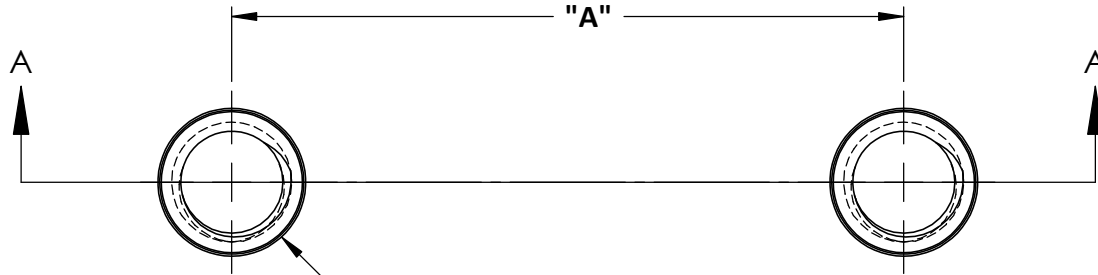
REV 1

This product may be covered by one or more patents or patent applications. See <http://www.standardlifters.com/patents.html> for details.

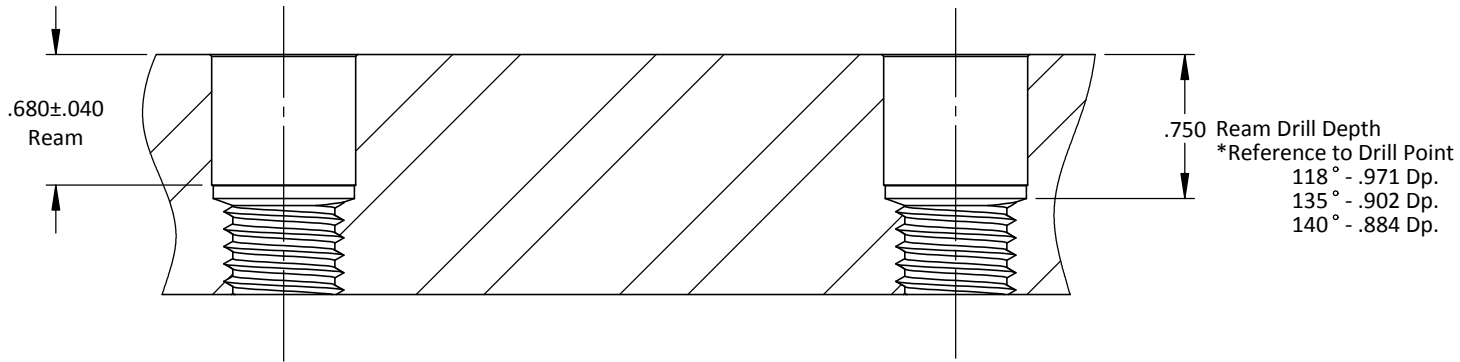
Stock Guide-SG-B-E-0-1.96

STANDARD LIFTERS INC

Product Number	"A" Dim.
SG-B-E-O-1.96-3.42	1.750in [44.45mm]
SG-B-E-O-1.96-5.17	3.500in [88.9mm]
SG-B-E-O-1.96-6.92	5.250in [133.35mm]
SG-B-E-O-1.96-8.67	7.000in [177.8mm]
SG-B-E-O-1.96-10.42	8.750in [222.25mm]
SG-B-E-O-1.96-12.17	10.500in [266.8mm]
SG-B-E-O-1.96-15.67	14.000in [355.6mm]
SG-B-E-O-1.96-19.17	17.500in [444.5mm]



Ream Drill (Ref. ϕ .734)
 Tap Drill (Ref. ϕ .531)
 ϕ .7500 Ream
 5/8-11 Tap



DO NOT SCALE DRAWING | REV 2

This product may be covered by one or more patents or patent applications.
 See <http://www.standardlifters.com/patents.html> for details.

Stock Guide-SG-B-E-O-1.96-Machining

STANDARD LIFTERS INC

Product Number	"A" Dim.	"B" Spaces	No. of Brgs.
SG-B-E-S-1.96-8.67	8.67in [220.1mm]	2	3
SG-B-E-S-1.96-12.17	12.17in [309mm]	3	4
SG-B-E-S-1.96-15.67	15.67in [397.9mm]	4	5
SG-B-E-S-1.96-19.17	19.17in [486.8mm]	5	6

