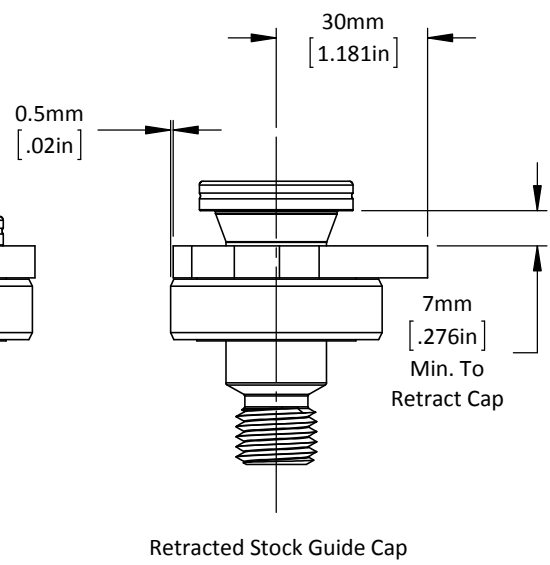
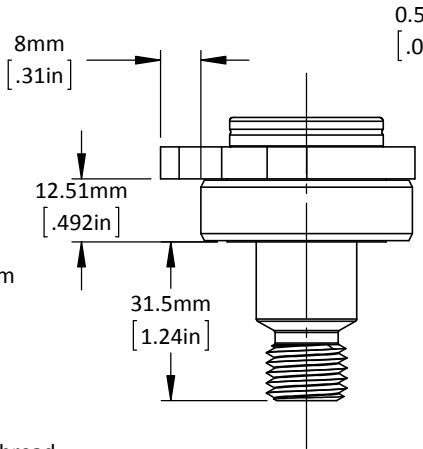
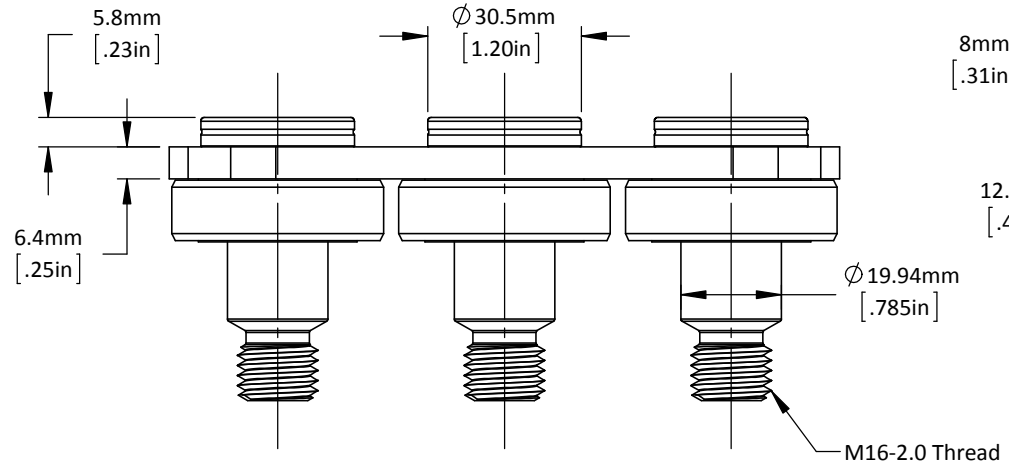
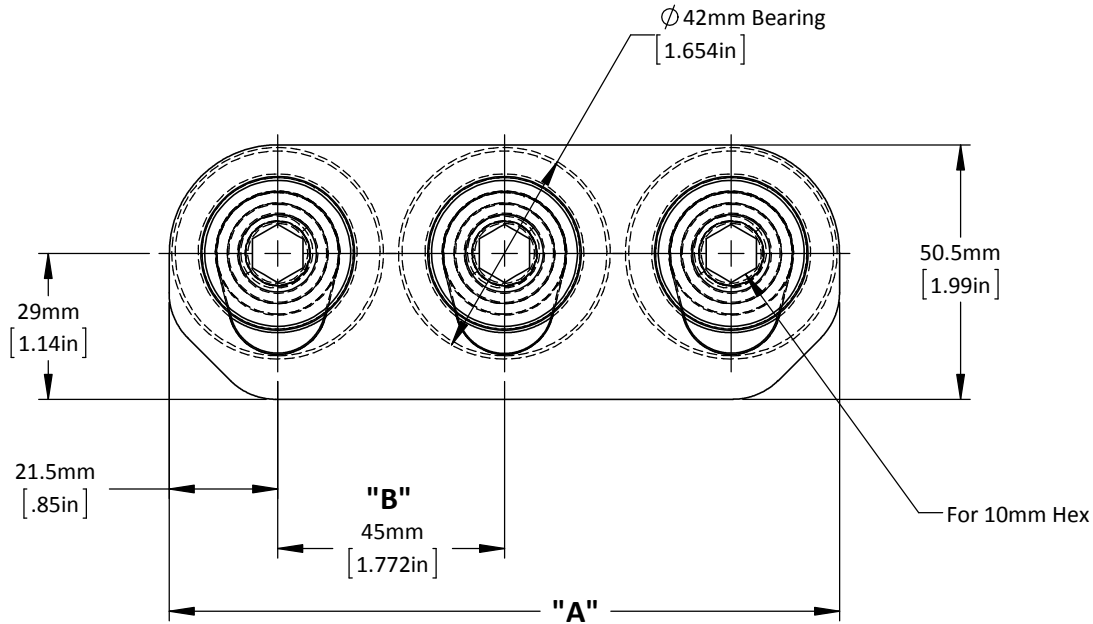
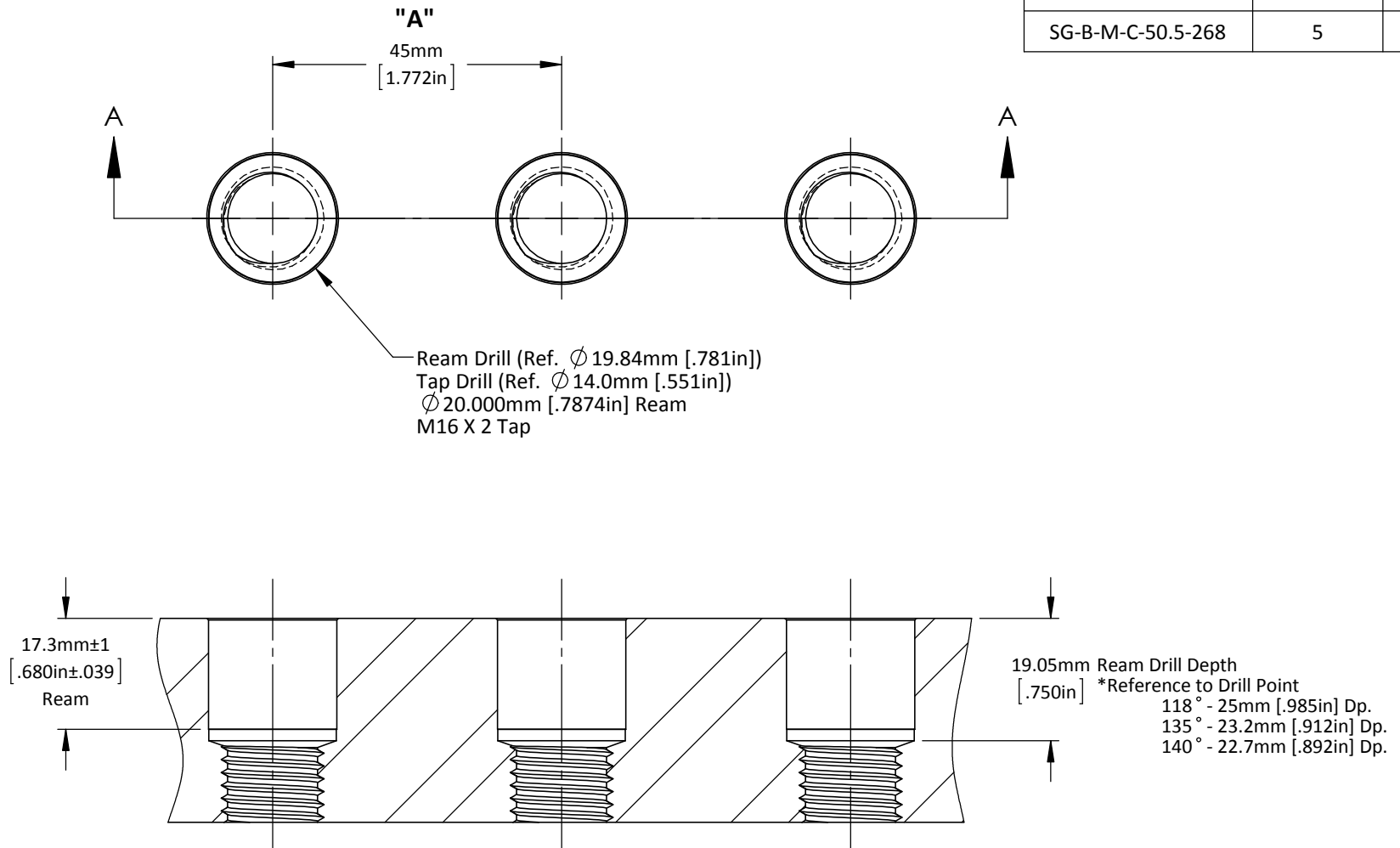


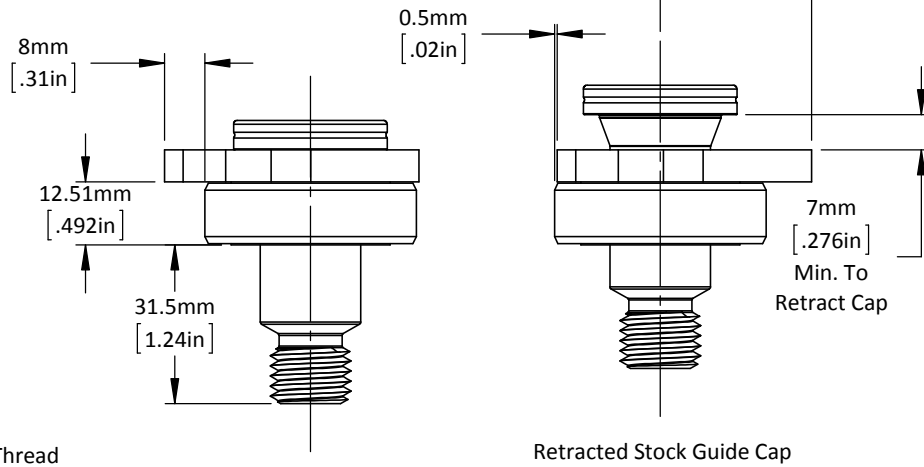
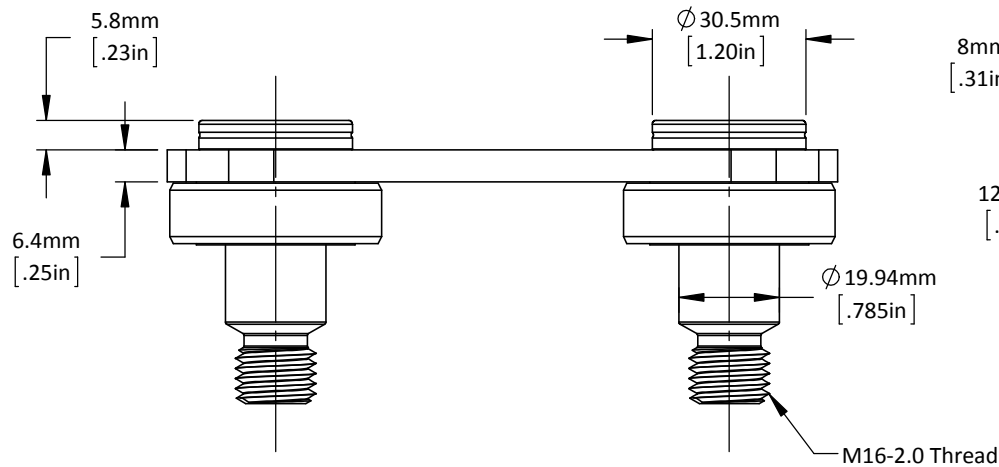
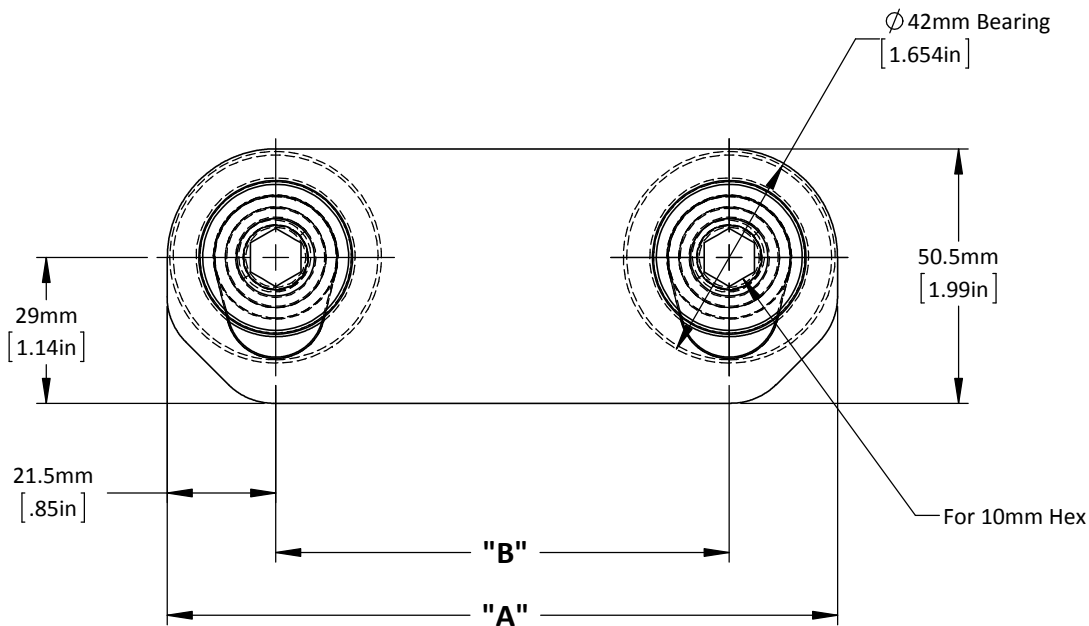
Product Number	"A" Dim.	"B" Spaces	No. of Brgs.
SG-B-M-C-50.5-133	133mm [5.24in]	2	3
SG-B-M-C-50.5-178	178mm [7.01in]	3	4
SG-B-M-C-50.5-223	223mm [8.78in]	4	5
SG-B-M-C-50.5-268	268mm [10.55in]	5	6



Product Number	"A" Spaces	No. of Holes
SG-B-M-C-50.5-133	2	3
SG-B-M-C-50.5-178	3	4
SG-B-M-C-50.5-223	4	5
SG-B-M-C-50.5-268	5	6



DO NOT SCALE DRAWING	REV 2	Stock Guide-SG-B-M-C-50.5-Machining
<small>This product may be covered by one or more patents or patent applications. See http://www.standardlifters.com/patents.html for details.</small>		



Product Number	"A" Dim.	"B" Dim.
SG-B-M-O-50.5-88	88mm [3.46in]	45mm [1.772in]
SG-B-M-O-50.5-133	133mm [5.24in]	90mm [3.543in]
SG-B-M-O-50.5-178	178mm [7.01in]	135mm [5.315in]
SG-B-M-O-50.5-223	223mm [8.78in]	180mm [7.087in]
SG-B-M-O-50.5-268	268mm [10.55in]	225mm [8.858in]
SG-B-M-O-50.5-313	313mm [12.32in]	270mm [10.630in]
SG-B-M-O-50.5-403	403mm [15.87in]	360mm [14.173in]
SG-B-M-O-50.5-493	493mm [19.41in]	450mm [17.717in]

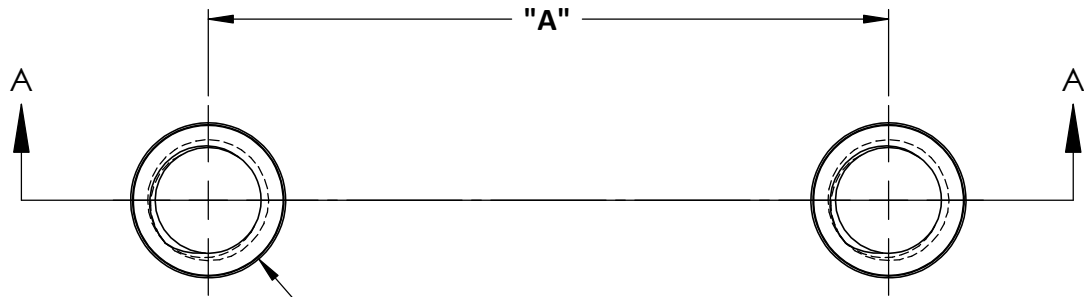
DO NOT SCALE DRAWING REV 1

This product may be covered by one or more patents or patent applications.
See <http://www.standardlifters.com/patents.html> for details.

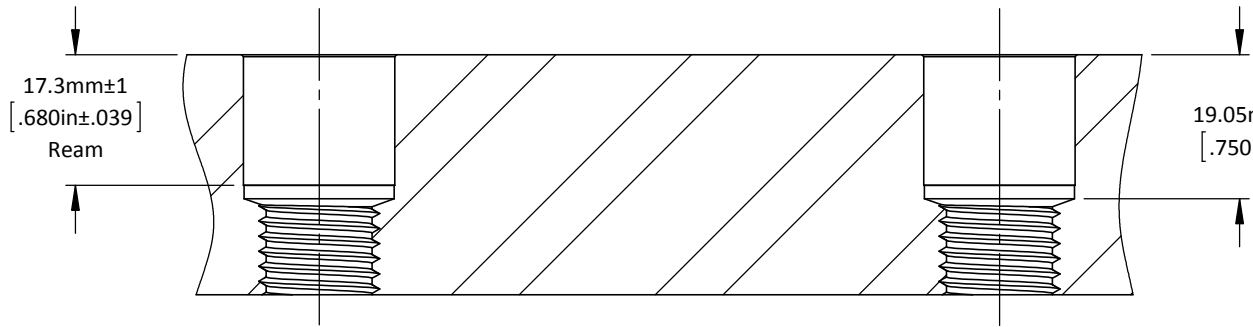
Stock Guide-SG-B-M-O-50.5

STANDARD LIFTERS INC

Product Number	"A" Dim.
SG-B-M-O-50.5-88	45mm [1.772in]
SG-B-M-O-50.5-133	90mm [3.543in]
SG-B-M-O-50.5-178	135mm [5.315in]
SG-B-M-O-50.5-223	180mm [7.087in]
SG-B-M-O-50.5-268	225mm [8.858in]
SG-B-M-O-50.5-313	270mm [10.630in]
SG-B-M-O-50.5-403	360mm [14.173in]
SG-B-M-O-50.5-493	450mm [17.717in]

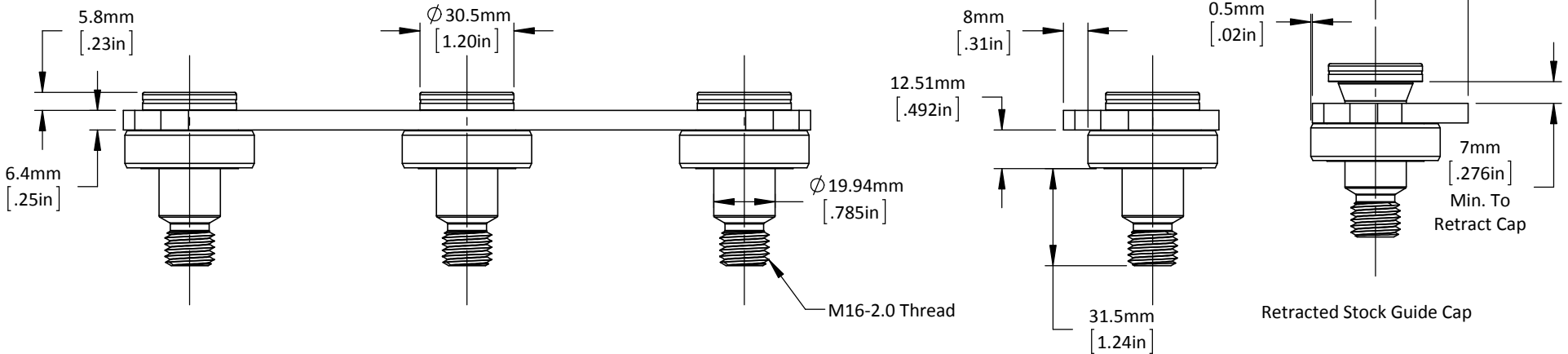
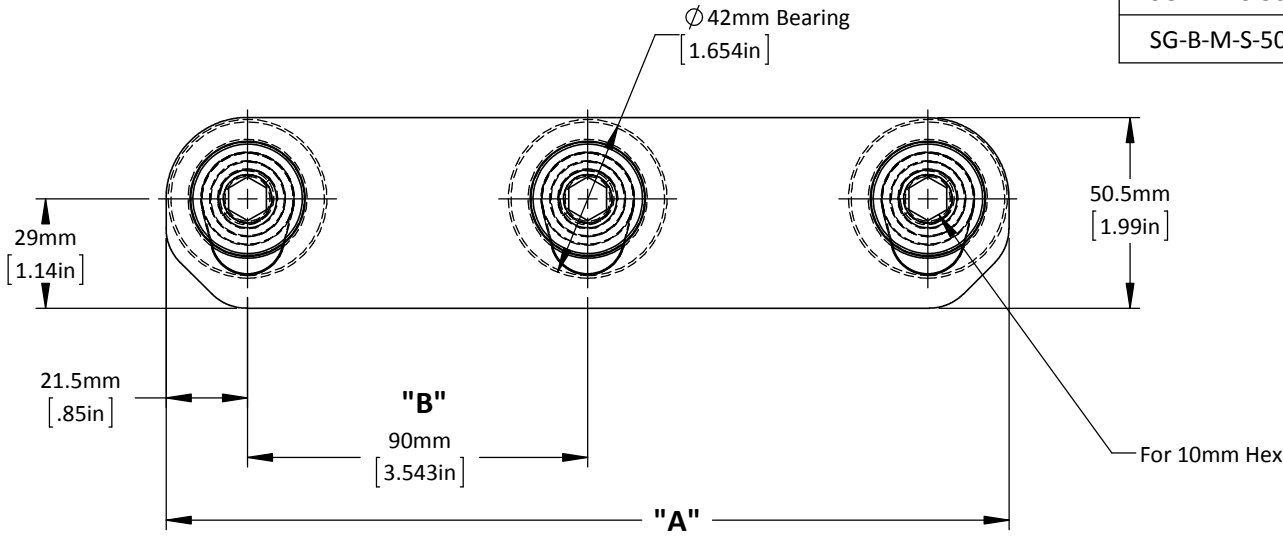


Ream Drill (Ref. ϕ 19.84mm [.781in])
 Tap Drill (Ref. ϕ 14.0mm [.551in])
 ϕ 20.000mm [.7874in] Ream
 M16 X 2 Tap



19.05mm Ream Drill Depth
 [.750in] *Reference to Drill Point
 118° - 25mm [.985in] Dp.
 135° - 23.2mm [.912in] Dp.
 140° - 22.7mm [.892in] Dp.

Product Number	"A" Dim.	"B" Spaces	No. of Brgs.
SG-B-M-S-50.5-223	223mm [8.78in]	2	3
SG-B-M-S-50.5-313	133mm [5.24in]	3	4
SG-B-M-S-50.5-403	403mm [15.87in]	4	5
SG-B-M-S-50.5-493	493mm [19.41in]	5	6



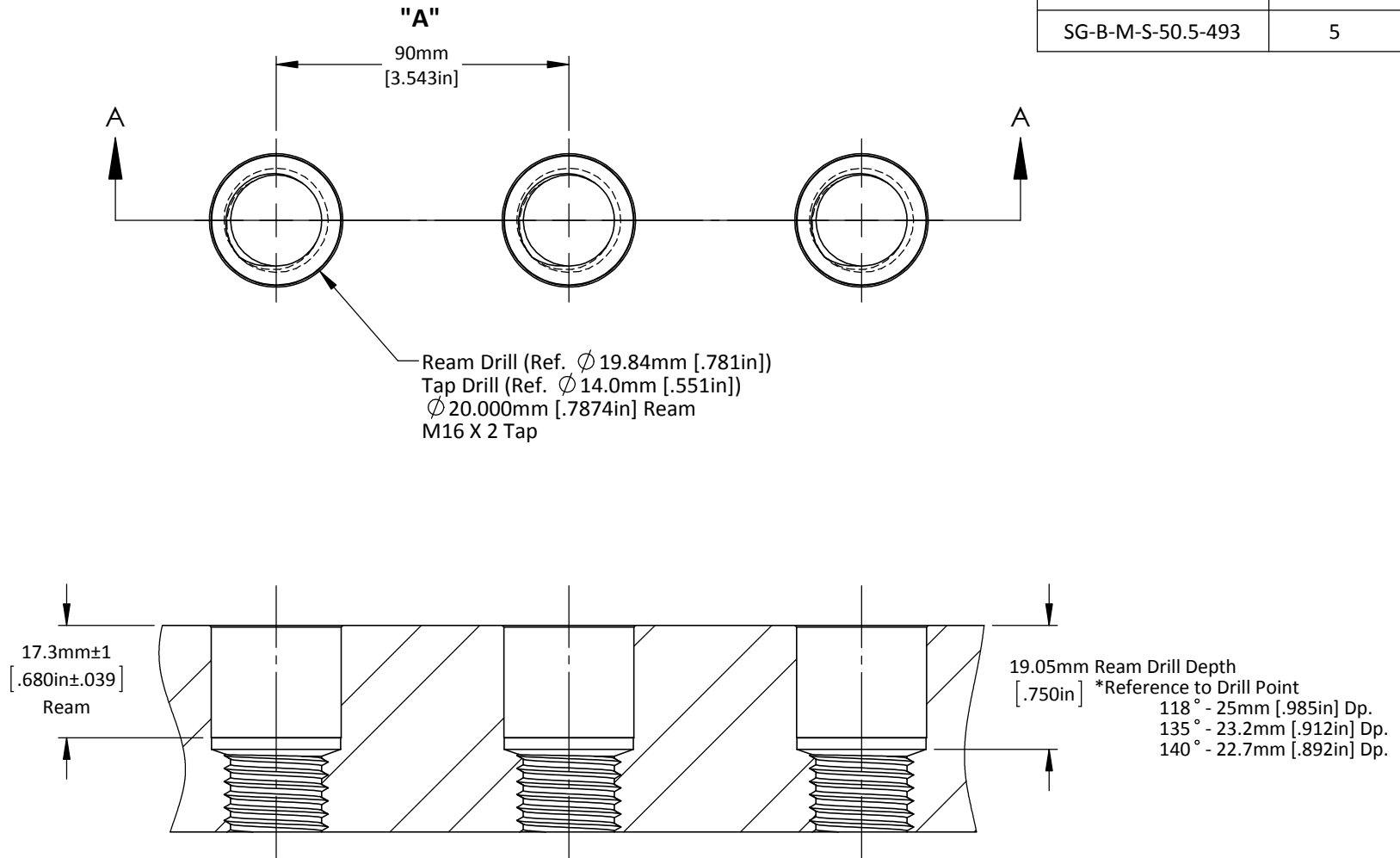
DO NOT SCALE DRAWING REV 1

This product may be covered by one or more patents or patent applications.
See <http://www.standardlifters.com/patents.html> for details.

Stock Guide-SG-B-M-S-50.5

STANDARD LIFTERS INC

Product Number	"A" Spaces	No. of Holes
SG-B-M-S-50.5-223	2	3
SG-B-M-S-50.5-313	3	4
SG-B-M-S-50.5-403	4	5
SG-B-M-S-50.5-493	5	6



DO NOT SCALE DRAWING | REV 2

This product may be covered by one or more patents or patent applications.
 See <http://www.standardlifters.com/patents.html> for details.

Stock Guide-SG-B-M-S-50.5-Machining

STANDARD LIFTERS INC