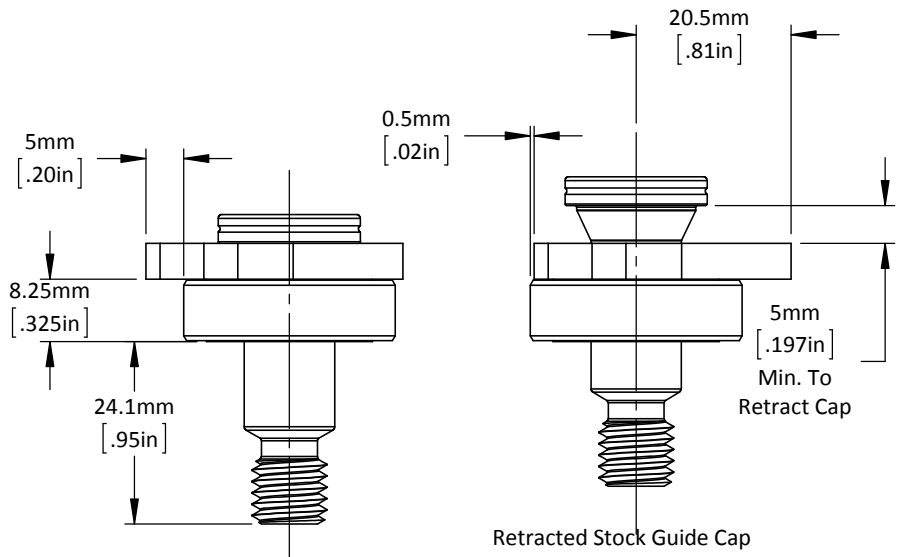
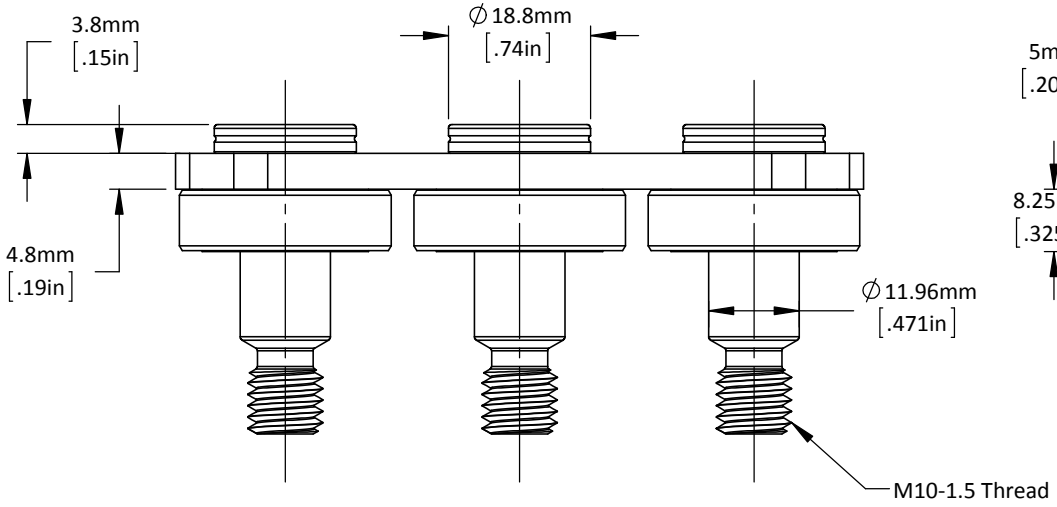
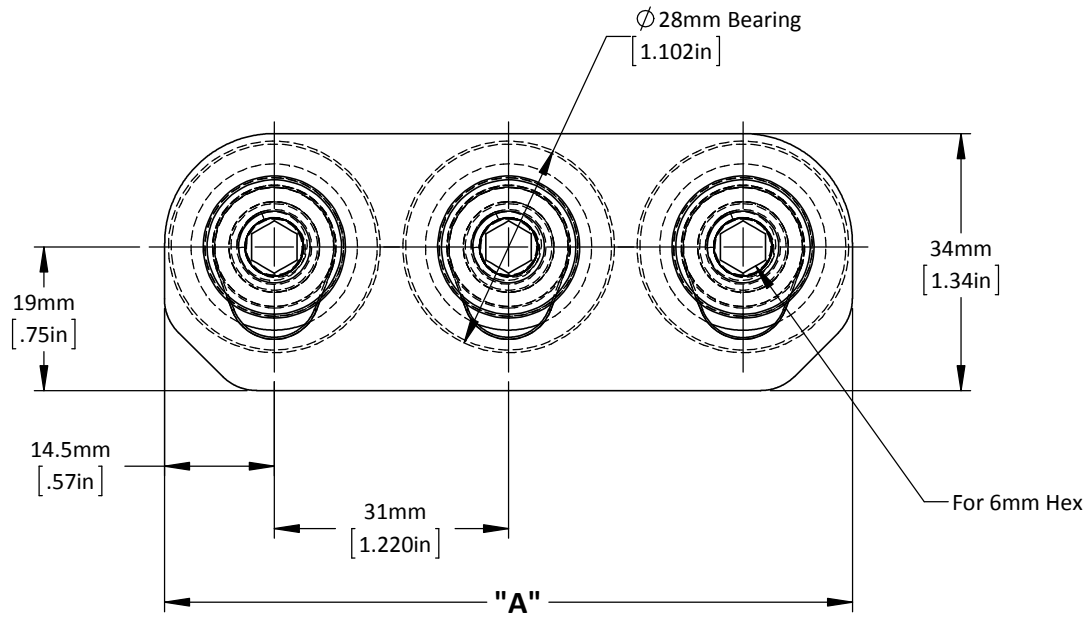
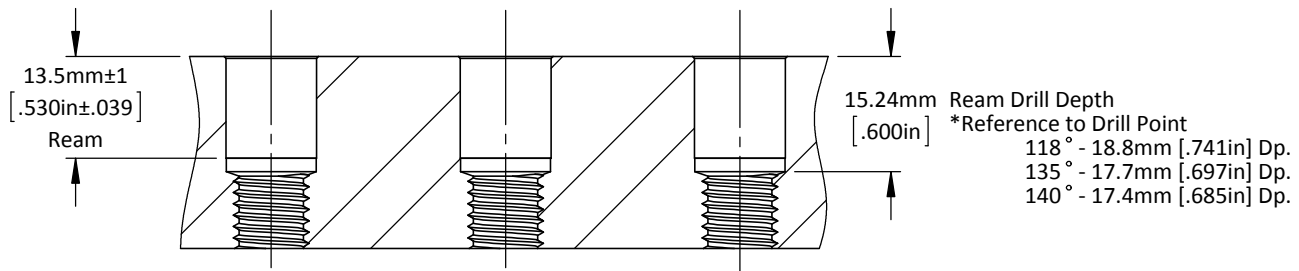
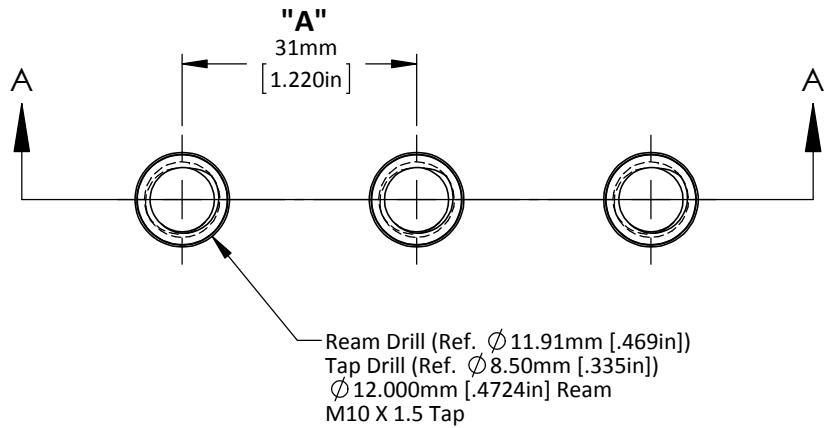


Product Number	"A" Dim.	"B" Spaces	No. of Brgs.
SG-B-M-C-34-91	91mm [3.58in]	2	3
SG-B-M-C-34-122	122mm [4.80in]	3	4
SG-B-M-C-34-153	153mm [6.02in]	4	5
SG-B-M-C-34-184	184mm [7.24in]	5	6



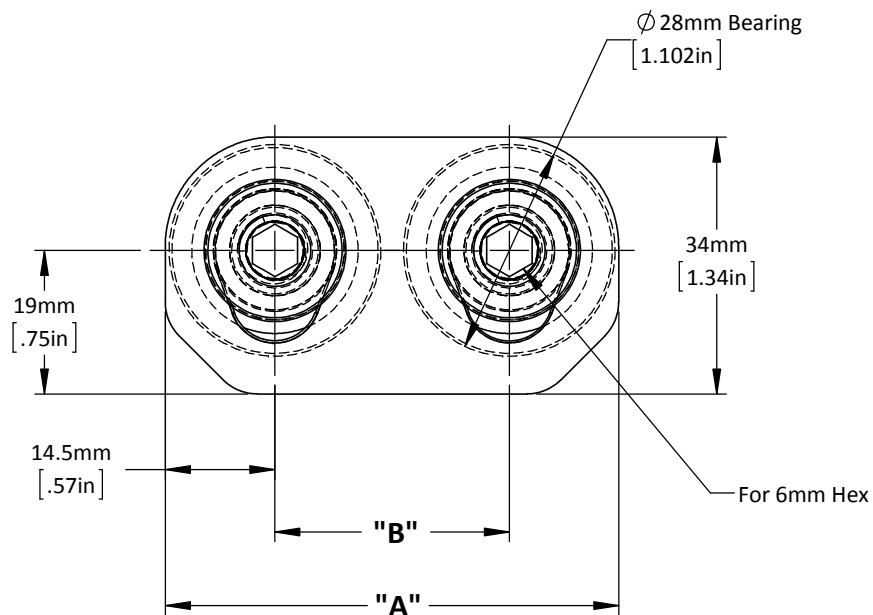
Product Number	"A" Spaces	No. of Holes
SG-B-M-C-34-91	2	3
SG-B-M-C-34-122	3	4
SG-B-M-C-34-153	4	5
SG-B-M-C-34-184	5	6



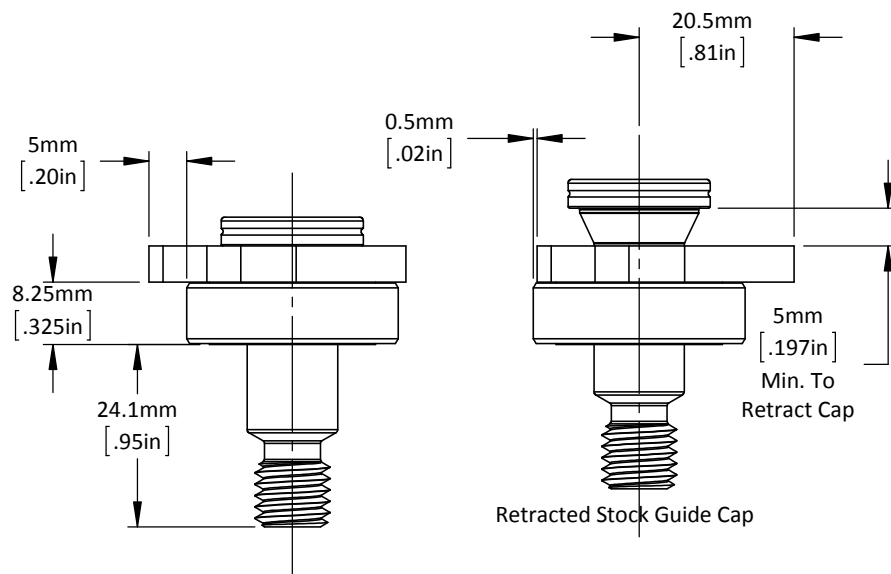
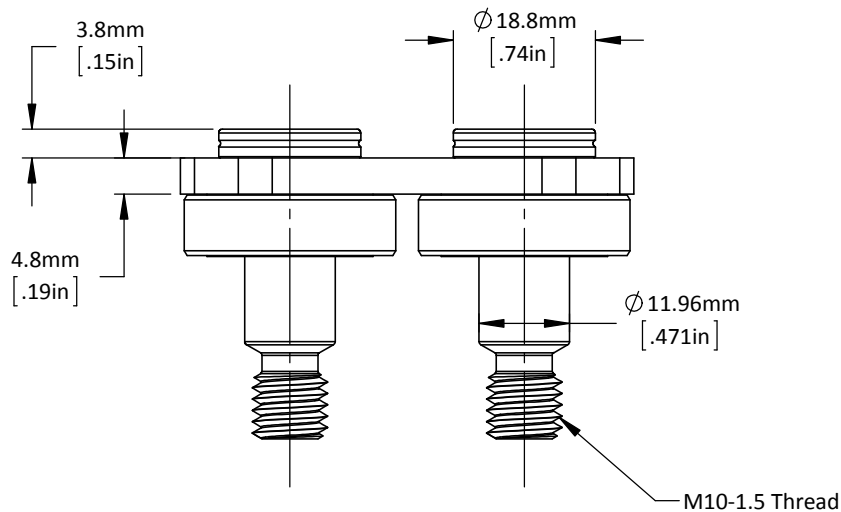
DO NOT SCALE DRAWING    REV 2

This product may be covered by one or more patents or patent applications.  
See <http://www.standardlifters.com/patents.html> for details.

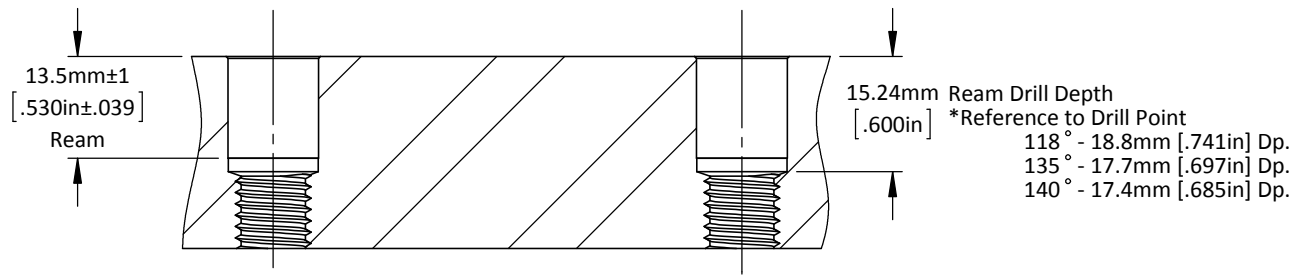
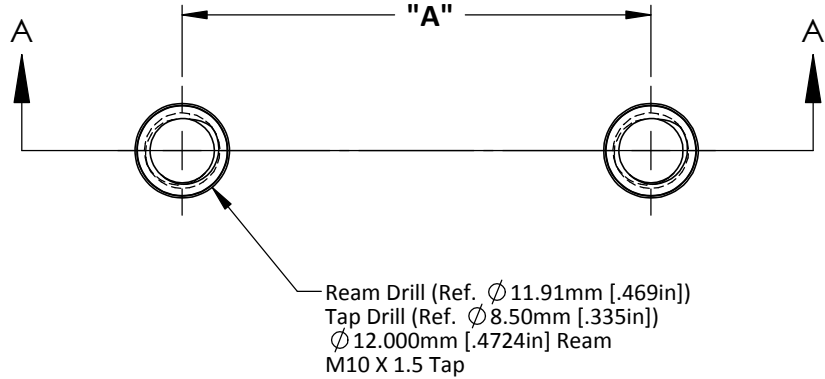
**Stock Guide-SG-B-M-C-34-Machining**  
**STANDARD LIFTERS INC**



Product Number	"A" Dim.	"B" Dim.
SG-B-M-O-34-60	60mm [2.36in]	31mm [1.220in]
SG-B-M-O-34-91	91mm [3.58in]	62mm [2.441in]
SG-B-M-O-34-122	122mm [4.80in]	93mm [3.661in]
SG-B-M-O-34-153	153mm [6.02in]	124mm [4.882in]
SG-B-M-O-34-184	184mm [7.24in]	155mm [6.102in]
SG-B-M-O-34-215	215mm [8.46in]	186mm [7.323in]



Product Number	"A" Dim.
SG-B-M-O-34-60	31mm [1.220in]
SG-B-M-O-34-91	62mm [2.441in]
SG-B-M-O-34-122	93mm [3.661in]
SG-B-M-O-34-153	124mm [4.882in]
SG-B-M-O-34-184	155mm 6.102in]
SG-B-M-O-34-215	186mm [7.323in]



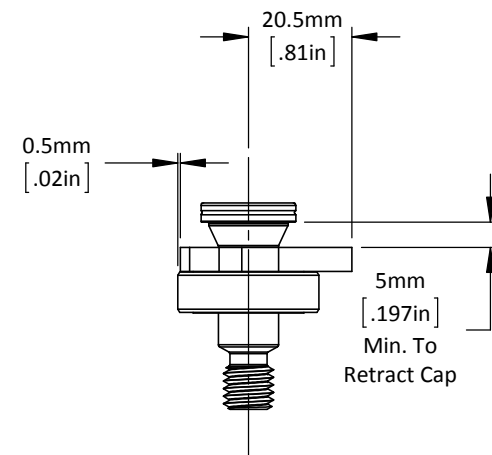
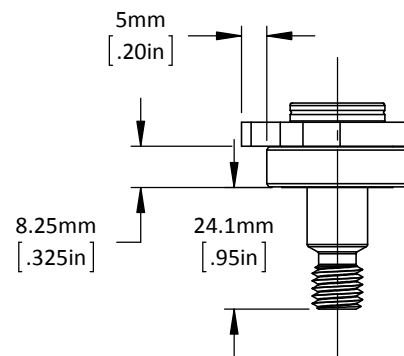
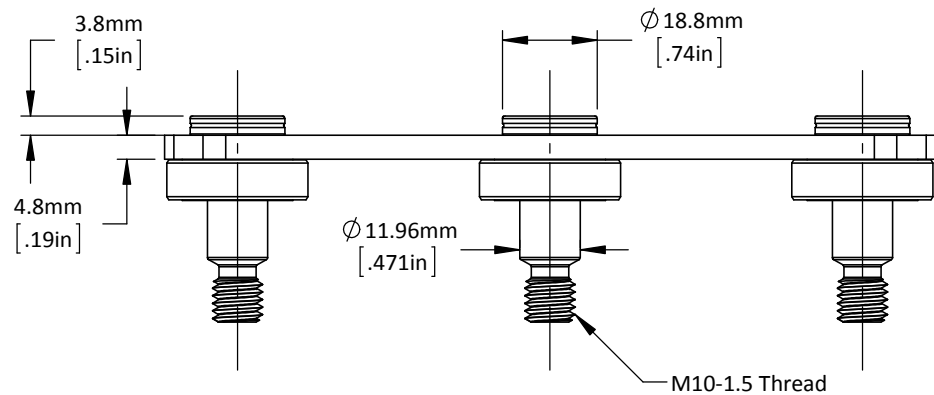
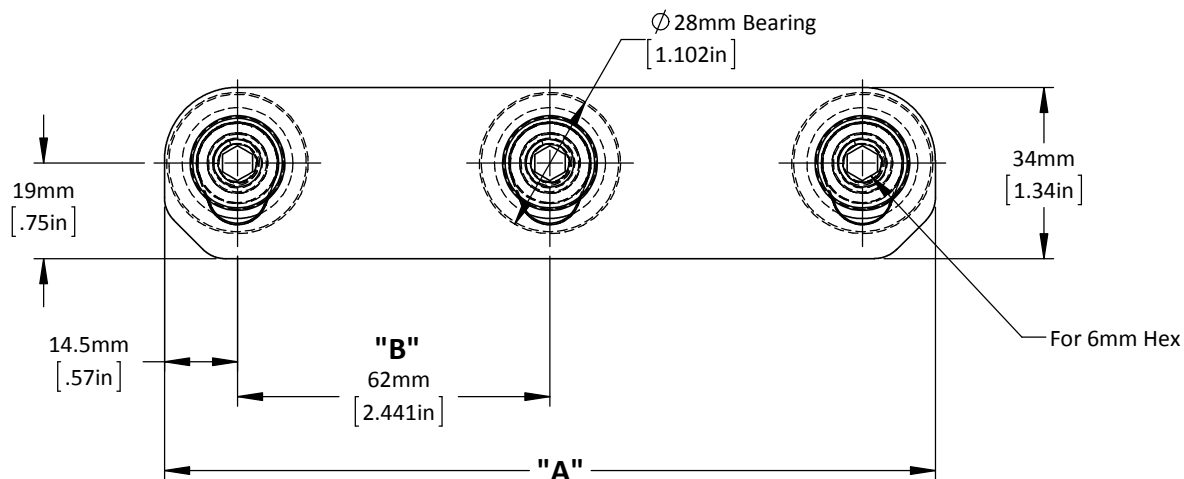
DO NOT SCALE DRAWING    REV 2

This product may be covered by one or more patents or patent applications.  
 See <http://www.standardlifters.com/patents.html> for details.

**Stock Guide-SG-B-M-O-34-Machining**

**STANDARD LIFTERS INC**

Product Number	"A" Dim.	"B" Spaces	No. of Brgs.
SG-B-M-S-34-153	153mm [6.02in]	2	3
SG-B-M-S-34-215	215mm [8.46in]	3	4

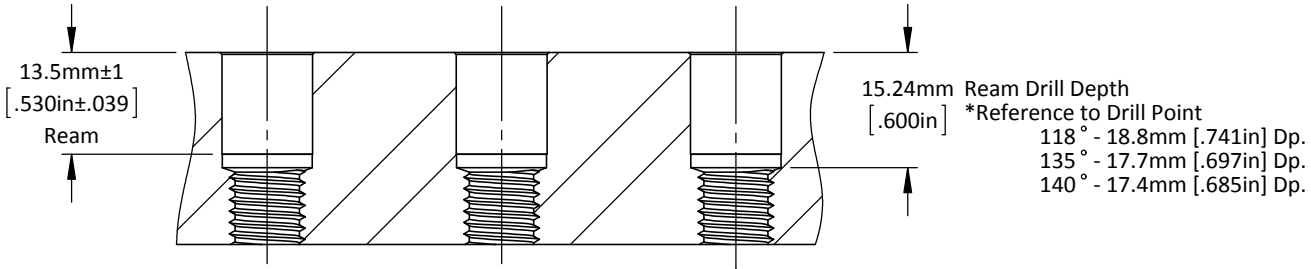
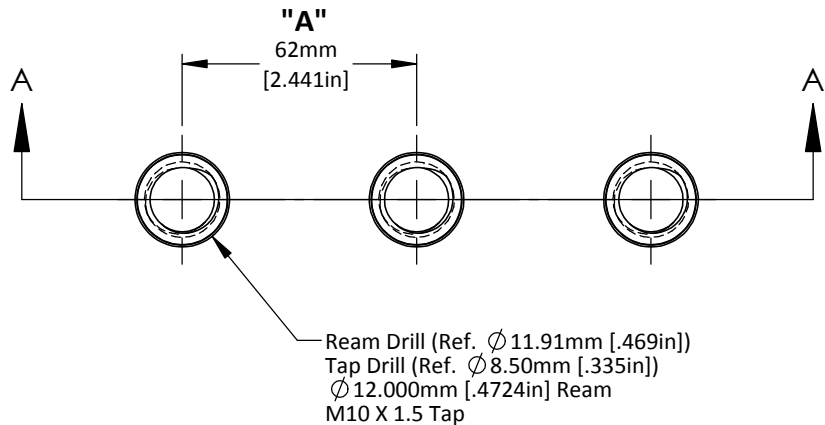


Retracted Stock Guide Cap

DO NOT SCALE DRAWING REV 1  
 This product may be covered by one or more patents or patent applications.  
 See <http://www.standardlifters.com/patents.html> for details.

**Stock Guide-SG-B-M-S-34**  
**STANDARD LIFTERS INC**

Product Number	"A" Spaces	No. of Holes
SG-B-M-S-34-153	2	3
SG-B-M-S-34-215	3	4

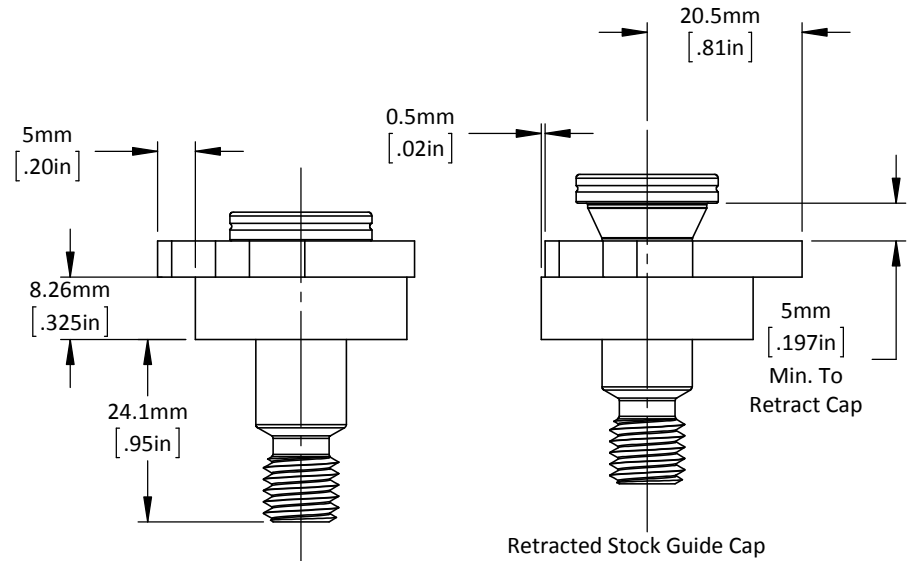
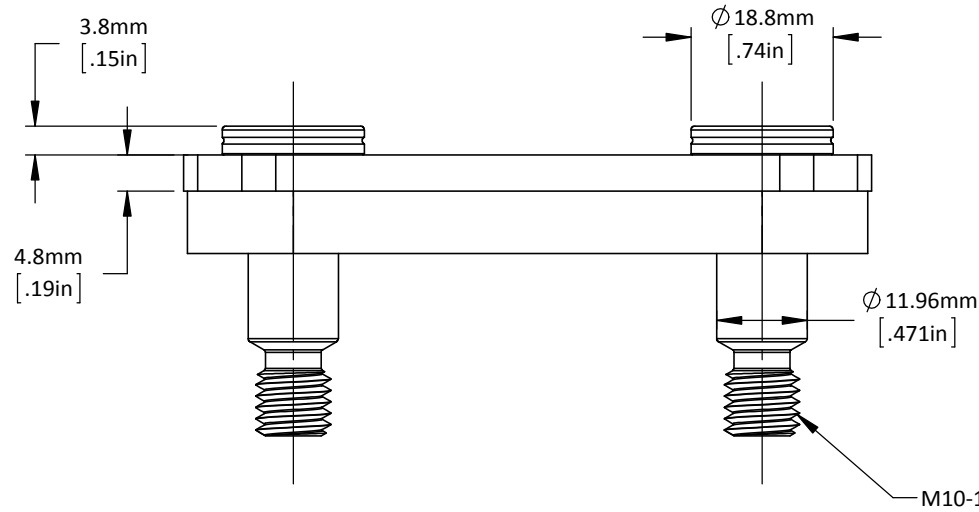
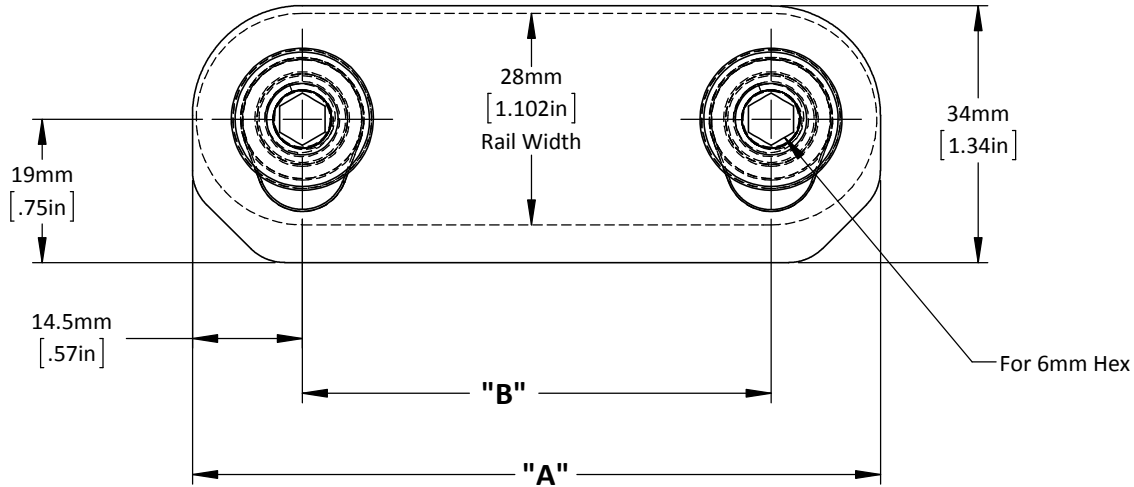


DO NOT SCALE DRAWING    REV 2

This product may be covered by one or more patents or patent applications.  
See <http://www.standardlifters.com/patents.html> for details.

**Stock Guide-SG-B-M-S-34-Machining**  
**STANDARD LIFTERS INC**

Product Number	"A" Dim.	"B" Dim.
SG-S-M-H-34-91	91mm [3.58in]	62mm [2.441in]
SG-S-M-H-34-122	122mm [4.80in]	93mm [3.661in]
SG-S-M-H-34-153	153mm [6.02in]	124mm [4.882in]
SG-S-M-H-34-184	184mm [7.24in]	155mm [6.102in]
SG-S-M-H-34-215	215mm [8.46in]	186mm [7.323in]



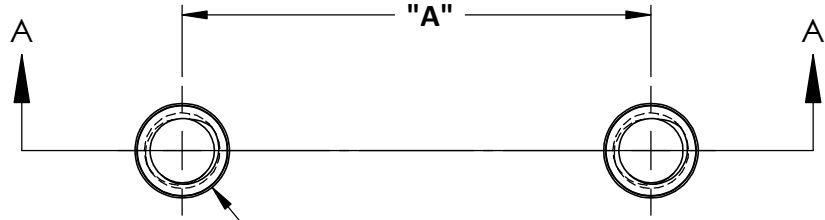
DO NOT SCALE DRAWING    REV 1

This product may be covered by one or more patents or patent applications.  
See <http://www.standardlifters.com/patents.html> for details.

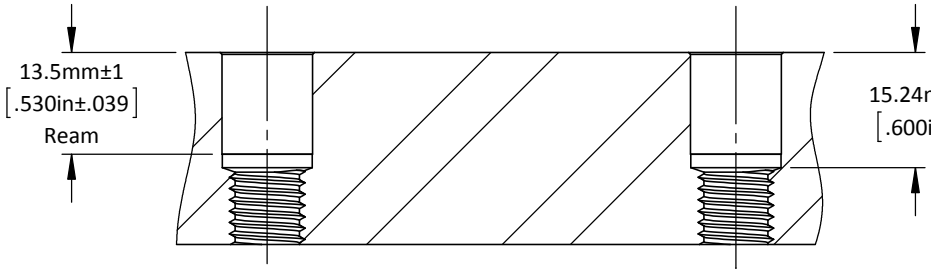
**Stock Guide-SG-S-M-H-34**

**STANDARD LIFTERS INC**

Product Number	"A" Dim.
SG-S-M-H-34-91	62mm [2.441in]
SG-S-M-H-34-122	93mm [3.661in]
SG-S-M-H-34-153	124mm [4.882in]
SG-S-M-H-34-184	155mm 6.102in]
SG-S-M-H-34-215	186mm [7.323in]



Ream Drill (Ref.  $\phi$  11.91mm [.469in])  
 Tap Drill (Ref.  $\phi$  8.50mm [.335in])  
 $\phi$  12.000mm [.4724in] Ream  
 M10 X 1.5 Tap



13.5mm $\pm$ 1  
 [.530in $\pm$ .039]  
 Ream

15.24mm Ream Drill Depth  
 [.600in] \*Reference to Drill Point  
 118° - 18.8mm [.741in] Dp.  
 135° - 17.7mm [.697in] Dp.  
 140° - 17.4mm [.685in] Dp.

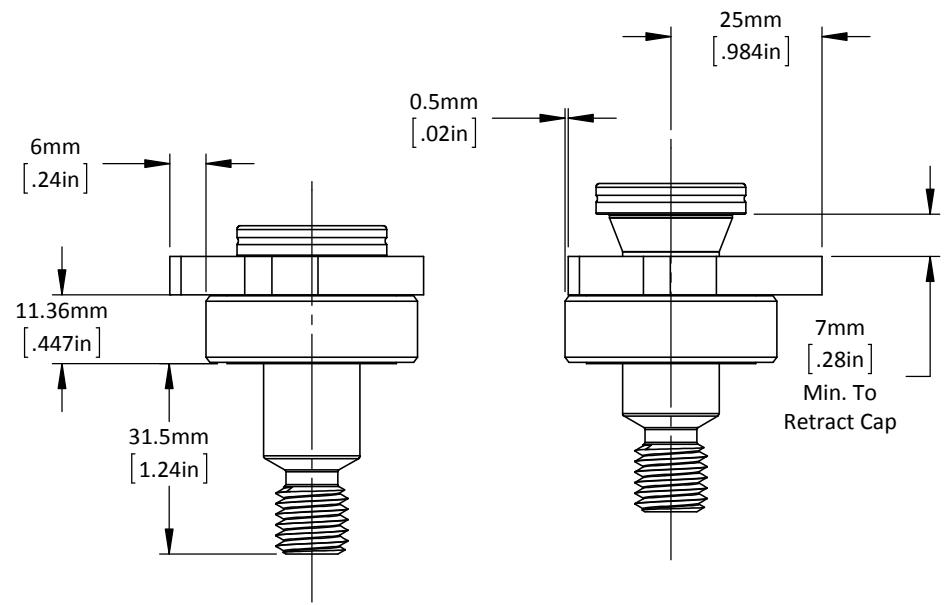
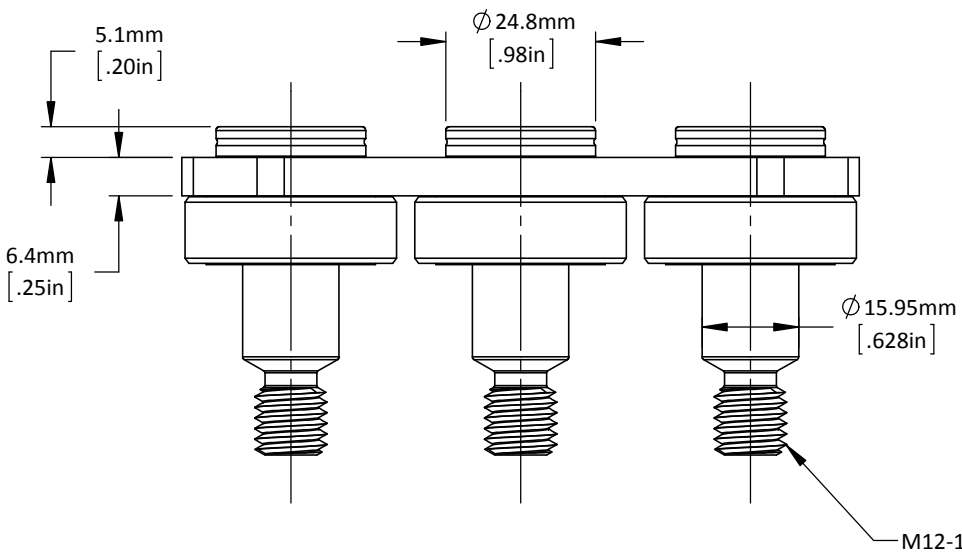
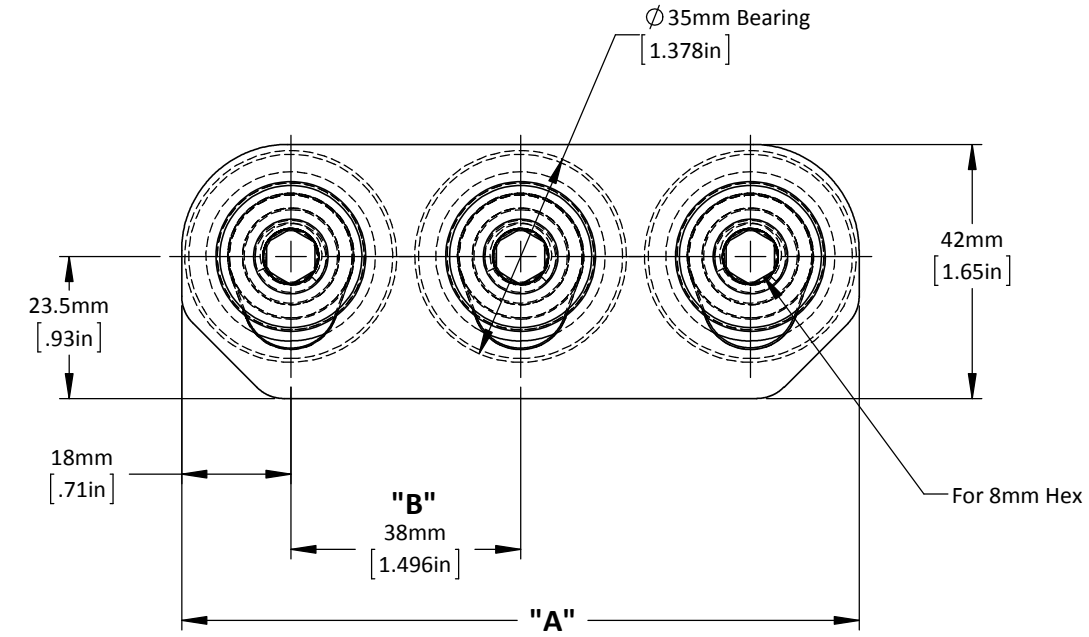
DO NOT SCALE DRAWING    REV 2

This product may be covered by one or more patents or patent applications.  
 See <http://www.standardlifters.com/patents.html> for details.

**Stock Guide-SG-S-M-H-34-Machining**  
**STANDARD LIFTERS INC**



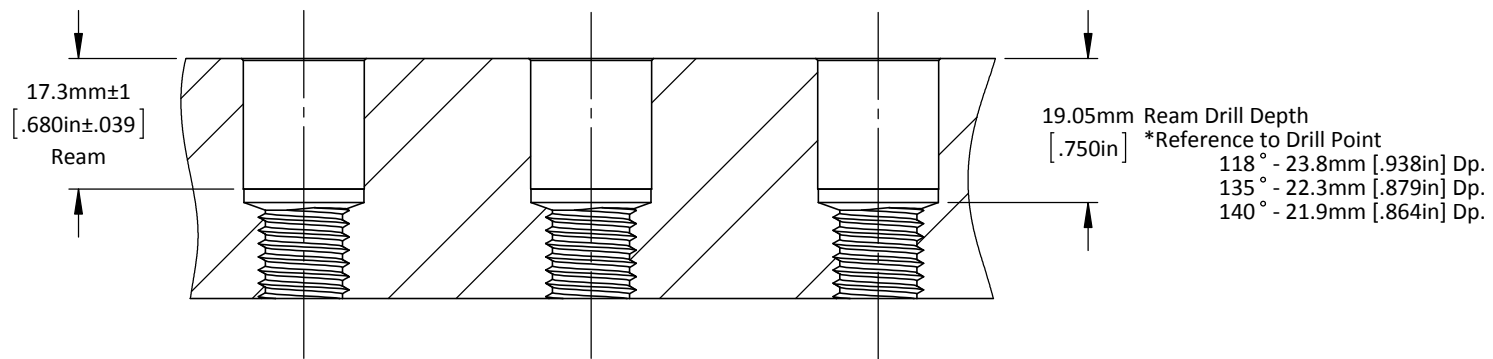
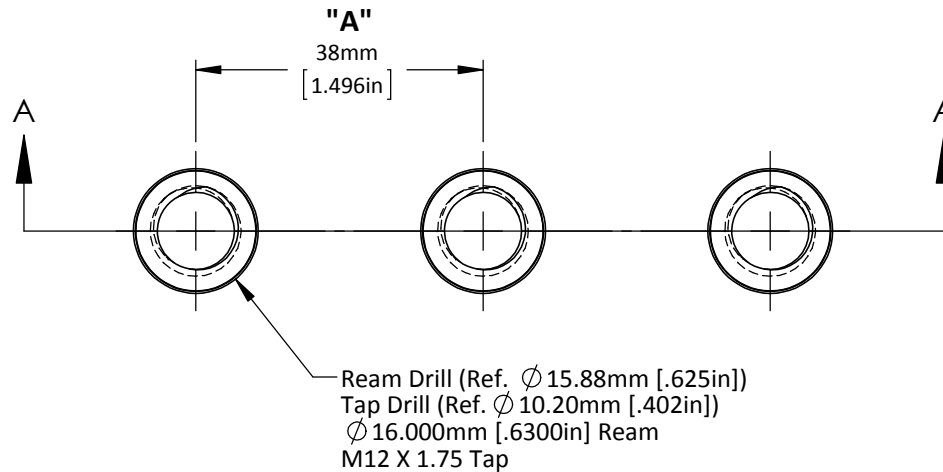
Product Number	"A" Dim.	"B" Spaces	No. of Brgs.
SG-B-M-C-42-112	112mm [4.41in]	2	3
SG-B-M-C-42-150	150mm [5.91in]	3	4
SG-B-M-C-42-188	188mm [7.40in]	4	5
SG-B-M-C-42-226	226mm [8.90in]	5	6



DO NOT SCALE DRAWING    REV 1  
 This product may be covered by one or more patents or patent applications.  
 See <http://www.standardlifters.com/patents.html> for details.

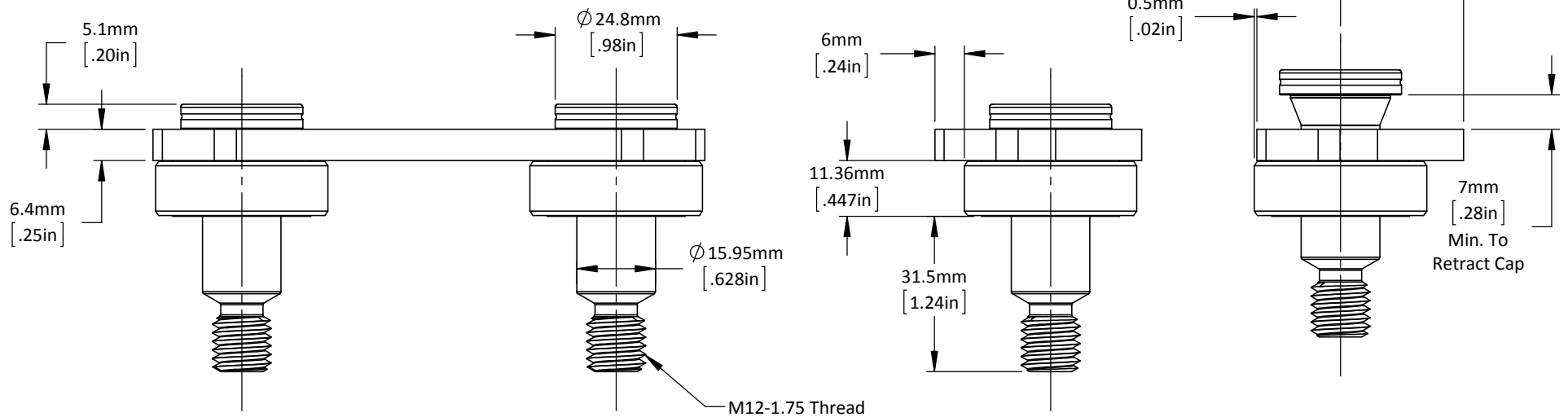
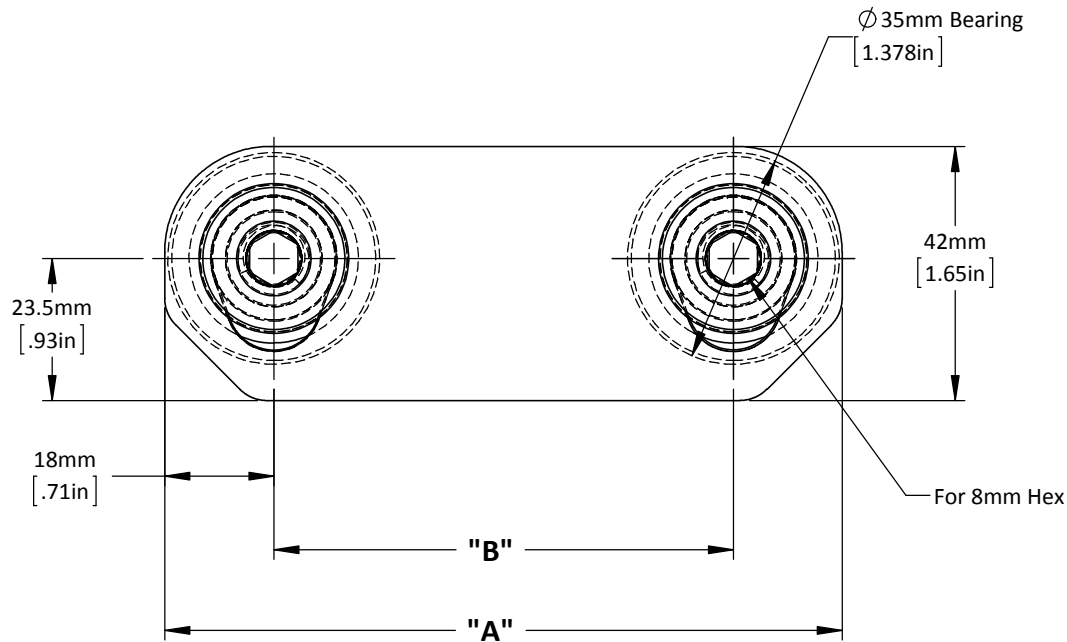
**Stock Guide-SG-B-M-C-42**  
**STANDARD LIFTERS INC**

Product Number	"A" Spaces	No. of Holes
SG-B-M-C-42-112	2	3
SG-B-M-C-42-150	3	4
SG-B-M-C-42-188	4	5
SG-B-M-C-42-226	5	6



DO NOT SCALE DRAWING	REV 2	<b>Stock Guide-SG-B-M-C-42-Machining</b> <b>STANDARD LIFTERS INC</b>
This product may be covered by one or more patents or patent applications. See <a href="http://www.standardlifters.com/patents.html">http://www.standardlifters.com/patents.html</a> for details.		

Product Number	"A" Dim.	"B" Dim.
SG-B-M-O-42-74	74mm [2.91in]	38mm [1.496in]
SG-B-M-O-42-112	112mm [4.41in]	76mm [2.992in]
SG-B-M-O-42-150	150mm [5.91in]	114mm [4.488in]
SG-B-M-O-42-188	188mm [7.40in]	152mm [5.984in]
SG-B-M-O-42-226	226mm [8.90in]	190mm [7.480in]
SG-B-M-O-42-264	264mm [10.39in]	228mm [8.976in]
SG-B-M-O-42-340	340mm [13.39in]	304mm [11.969in]
SG-B-M-O-42-416	416mm [16.38in]	380mm [14.961in]



DO NOT SCALE DRAWING

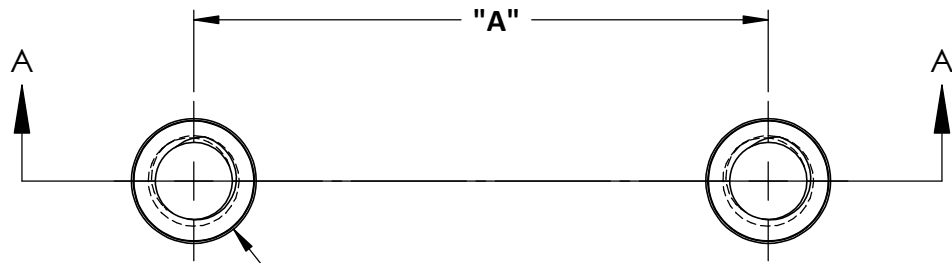
REV 1

This product may be covered by one or more patents or patent applications. See <http://www.standardlifters.com/patents.html> for details.

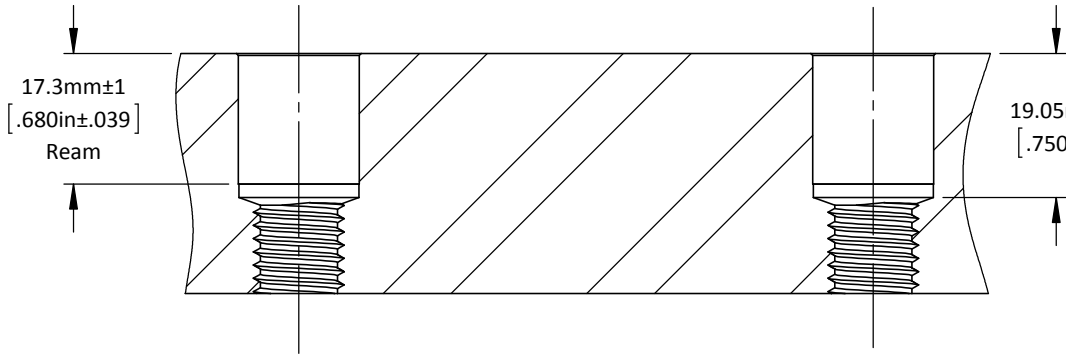
**Stock Guide-SG-B-M-O-42**

**STANDARD LIFTERS INC**

Product Number	"A" Dim.
SG-B-M-O-42-74	38mm [1.496in]
SG-B-M-O-42-112	76mm [2.992in]
SG-B-M-O-42-150	114mm [4.488in]
SG-B-M-O-42-188	152mm [5.984in]
SG-B-M-O-42-226	190mm [7.480in]
SG-B-M-O-42-264	228mm [8.976in]
SG-B-M-O-42-340	304mm [11.969in]
SG-B-M-O-42-416	380mm [14.961in]



Ream Drill (Ref.  $\phi$  15.88mm [.625in])  
 Tap Drill (Ref.  $\phi$  10.20mm [.402in])  
 $\phi$  16.000mm [.6300in] Ream  
 M12 X 1.75 Tap



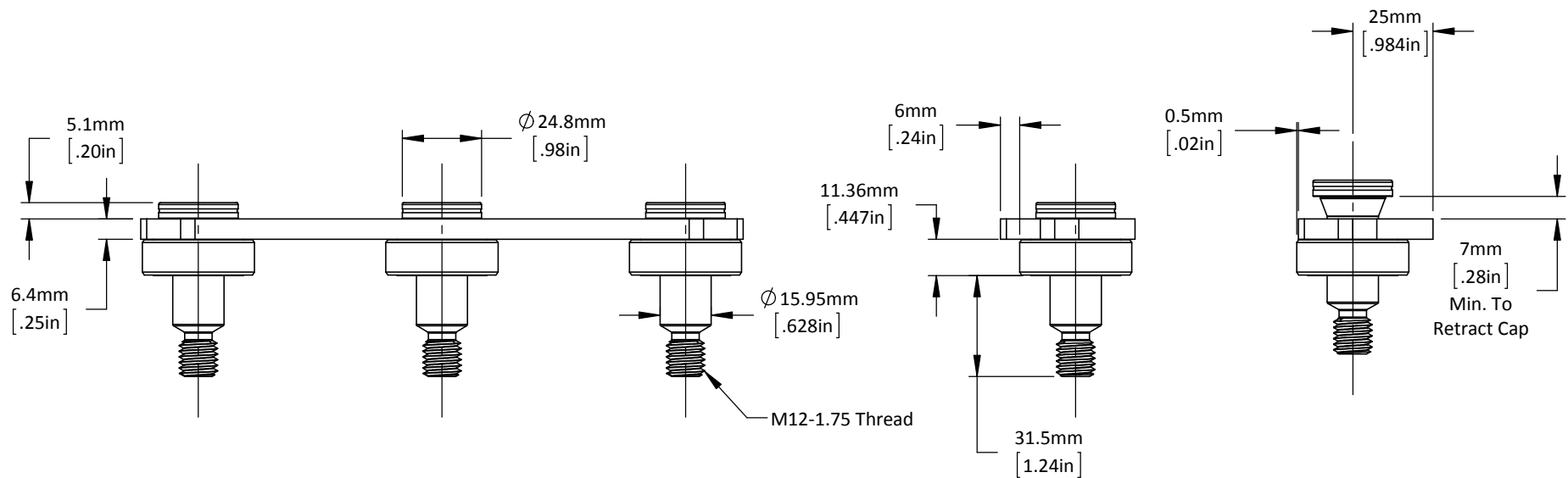
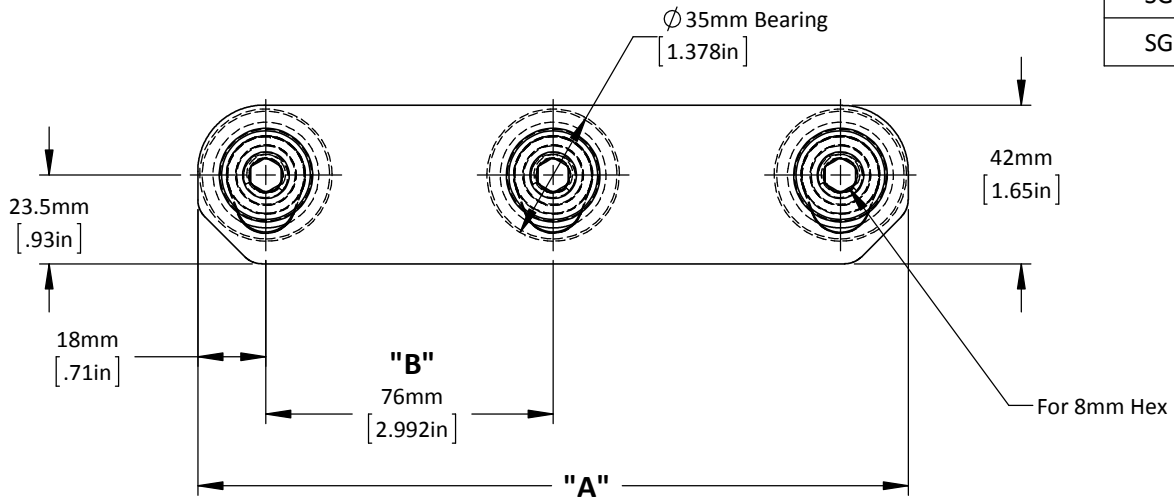
17.3mm $\pm$ 1  
 [.680in $\pm$ .039]  
 Ream

19.05mm Ream Drill Depth  
 [.750in] \*Reference to Drill Point  
 118° - 23.8mm [.938in] Dp.  
 135° - 22.3mm [.879in] Dp.  
 140° - 21.9mm [.864in] Dp.

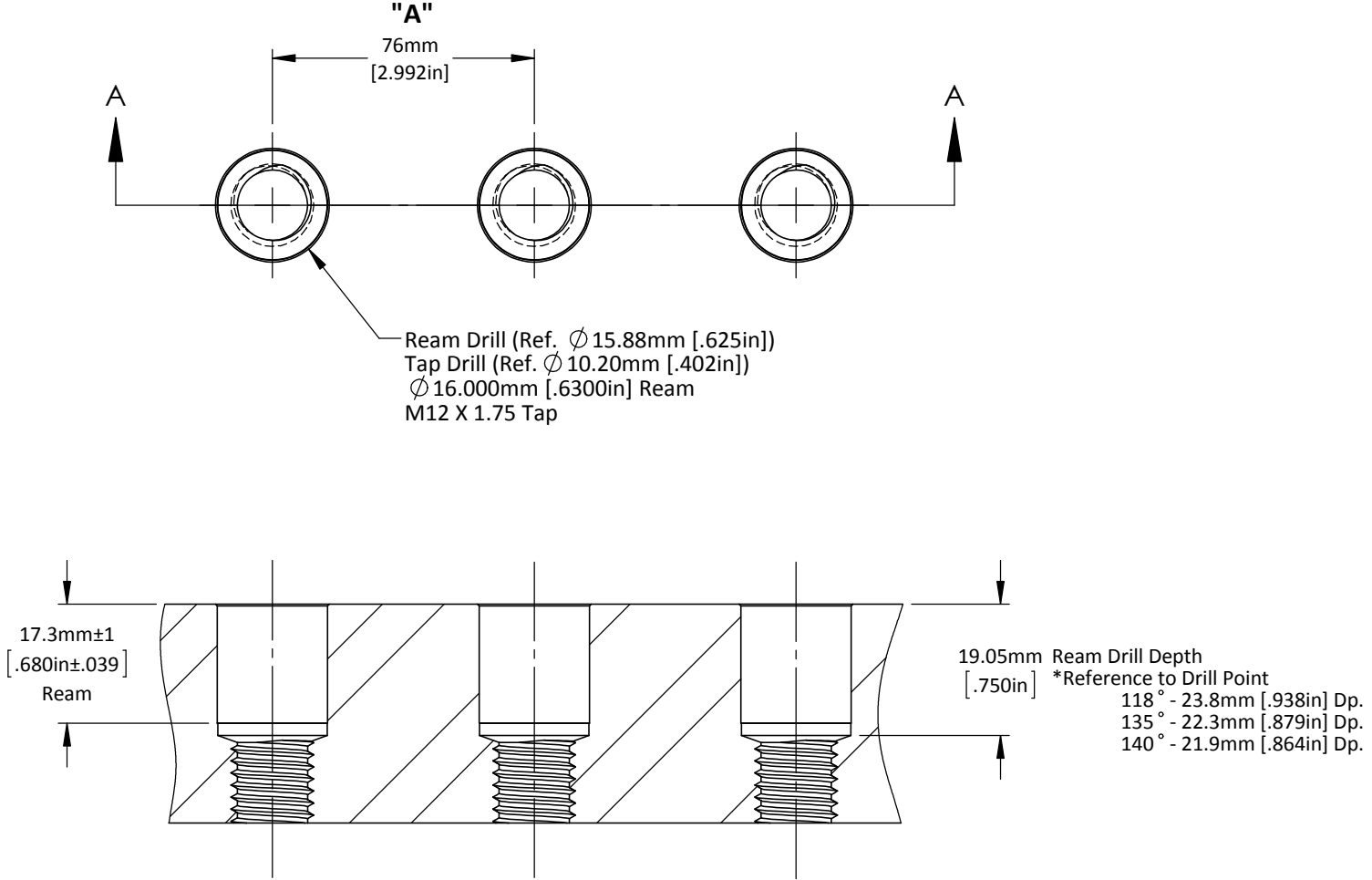
DO NOT SCALE DRAWING    REV 2  
 This product may be covered by one or more patents or patent applications.  
 See <http://www.standardlifters.com/patents.html> for details.

**Stock Guide-SG-B-M-O-42-Machining**  
**STANDARD LIFTERS INC**

Product Number	"A" Dim.	"B" Spaces	No. of Brgs.
SG-B-M-S-42-188	188mm [7.40in]	2	3
SG-B-M-S-42-264	264mm [10.39in]	3	4
SG-B-M-S-42-340	340mm [13.39in]	4	5
SG-B-M-S-42-416	416mm [16.38in]	5	6

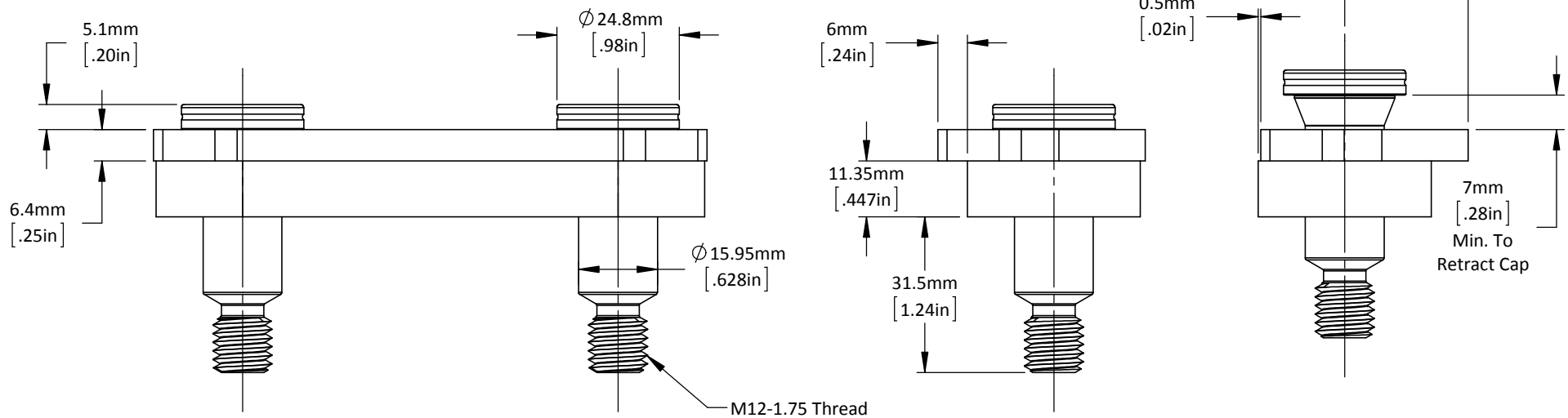
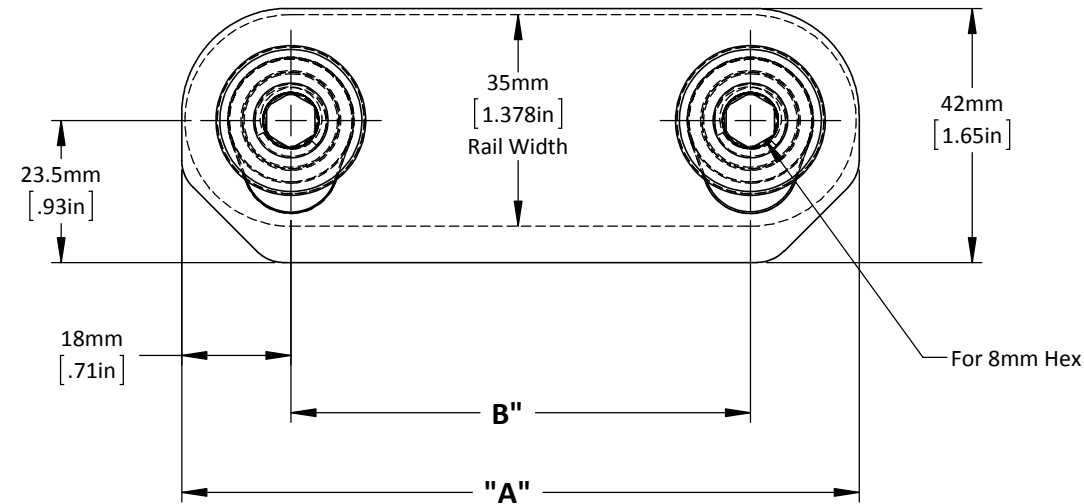


Product Number	"A" Spaces	No. of Holes
SG-B-M-S-42-188	2	3
SG-B-M-S-42-264	3	4
SG-B-M-S-42-340	4	5
SG-B-M-S-42-416	5	6



DO NOT SCALE DRAWING	REV 2	<b>Stock Guide-SG-B-M-S-42-Machining</b> <b>STANDARD LIFTERS INC</b>
This product may be covered by one or more patents or patent applications. See <a href="http://www.standardlifters.com/patents.html">http://www.standardlifters.com/patents.html</a> for details.		

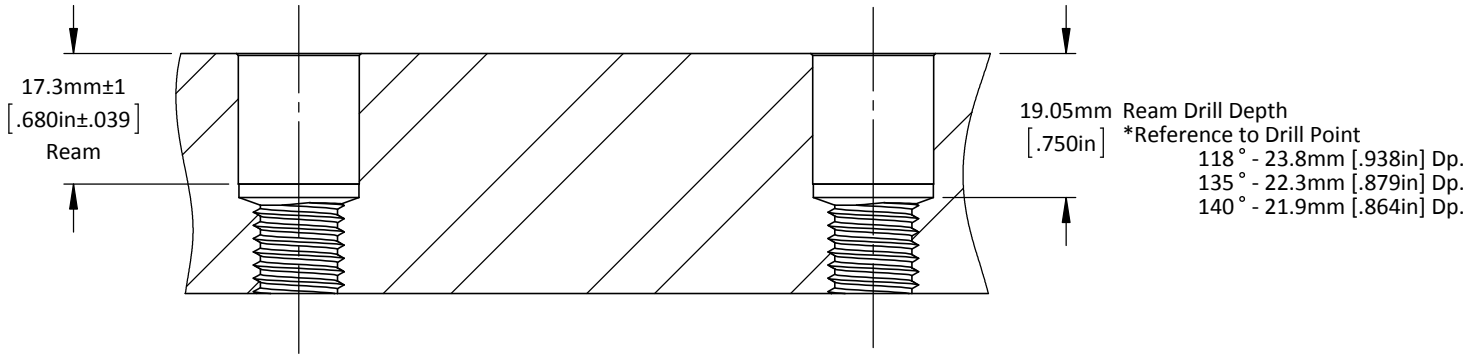
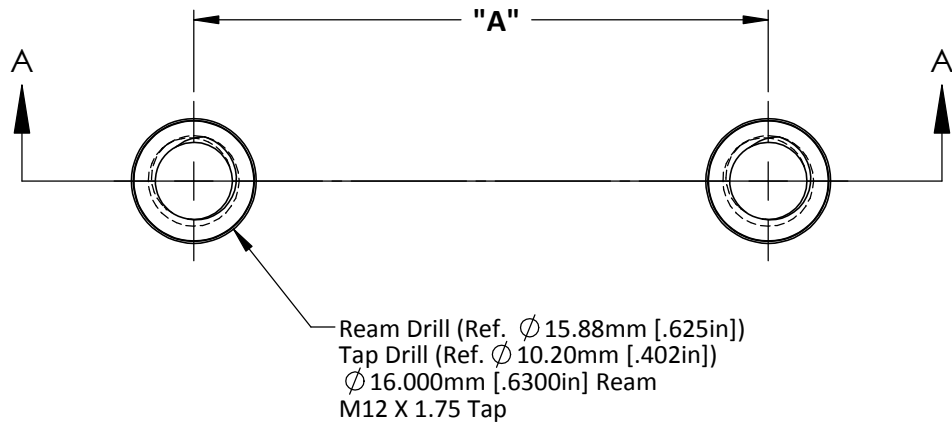
Product Number	"A" Dim.	"B" Dim.
SG-S-M-H-42-112	112mm [4.41in]	76mm [2.992in]
SG-S-M-H-42-150	150mm [5.91in]	114mm [4.488in]
SG-S-M-H-42-188	188mm [7.40in]	152mm [5.984in]
SG-S-M-H-42-226	226mm [8.90in]	190mm [7.480in]
SG-S-M-H-42-264	264mm [10.39in]	228mm [8.976in]
SG-S-M-H-42-340	340mm [13.39in]	304mm [11.969in]



DO NOT SCALE DRAWING | REV 1  
 This product may be covered by one or more patents or patent applications.  
 See <http://www.standardlifters.com/patents.html> for details.

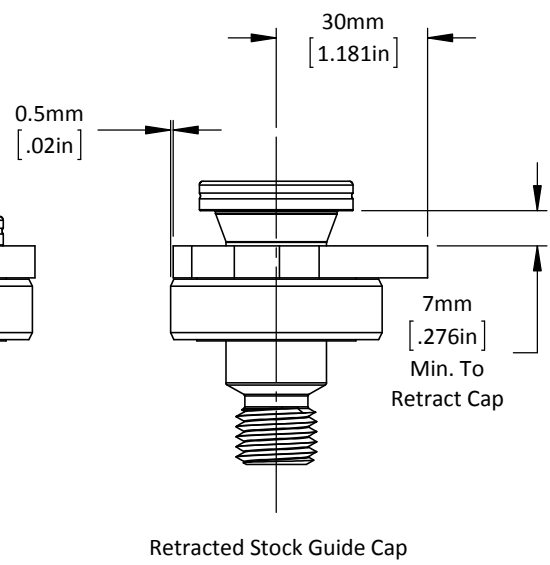
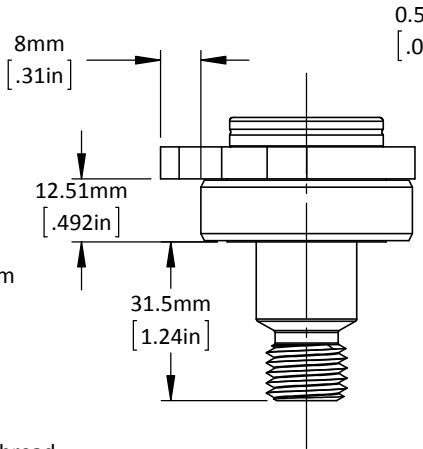
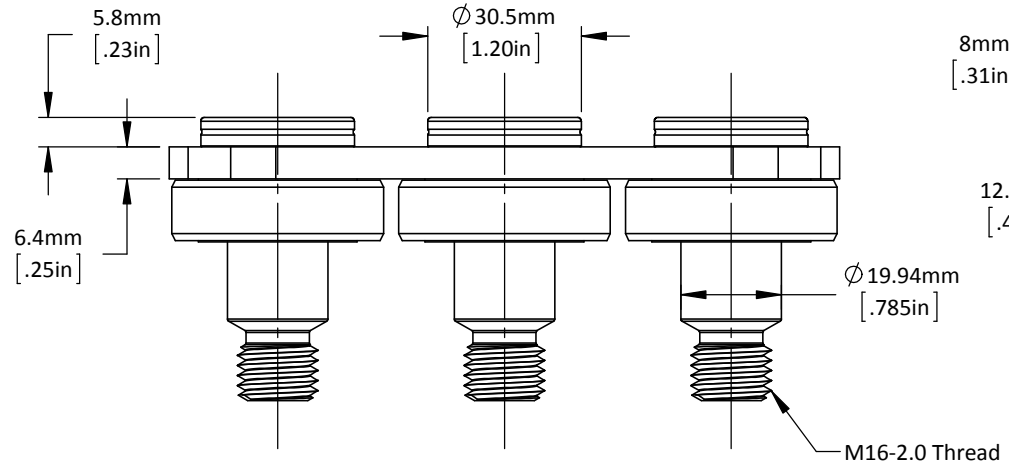
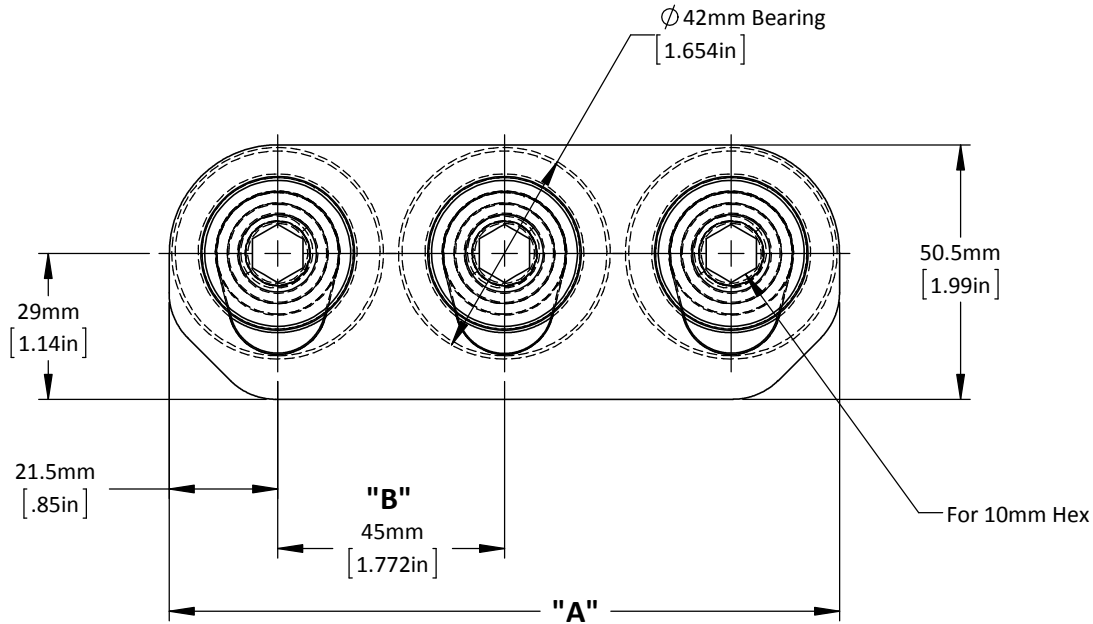
**Stock Guide-SG-S-M-H-42**  
**STANDARD LIFTERS INC**

Product Number	"A" Dim.
SG-S-M-H-42-112	76mm [2.992in]
SG-S-M-H-42-150	114mm [4.488in]
SG-S-M-H-42-188	152mm [5.984in]
SG-S-M-H-42-226	190mm [7.480in]
SG-S-M-H-42-264	228mm [8.976in]
SG-S-M-H-42-340	304mm [11.969in]

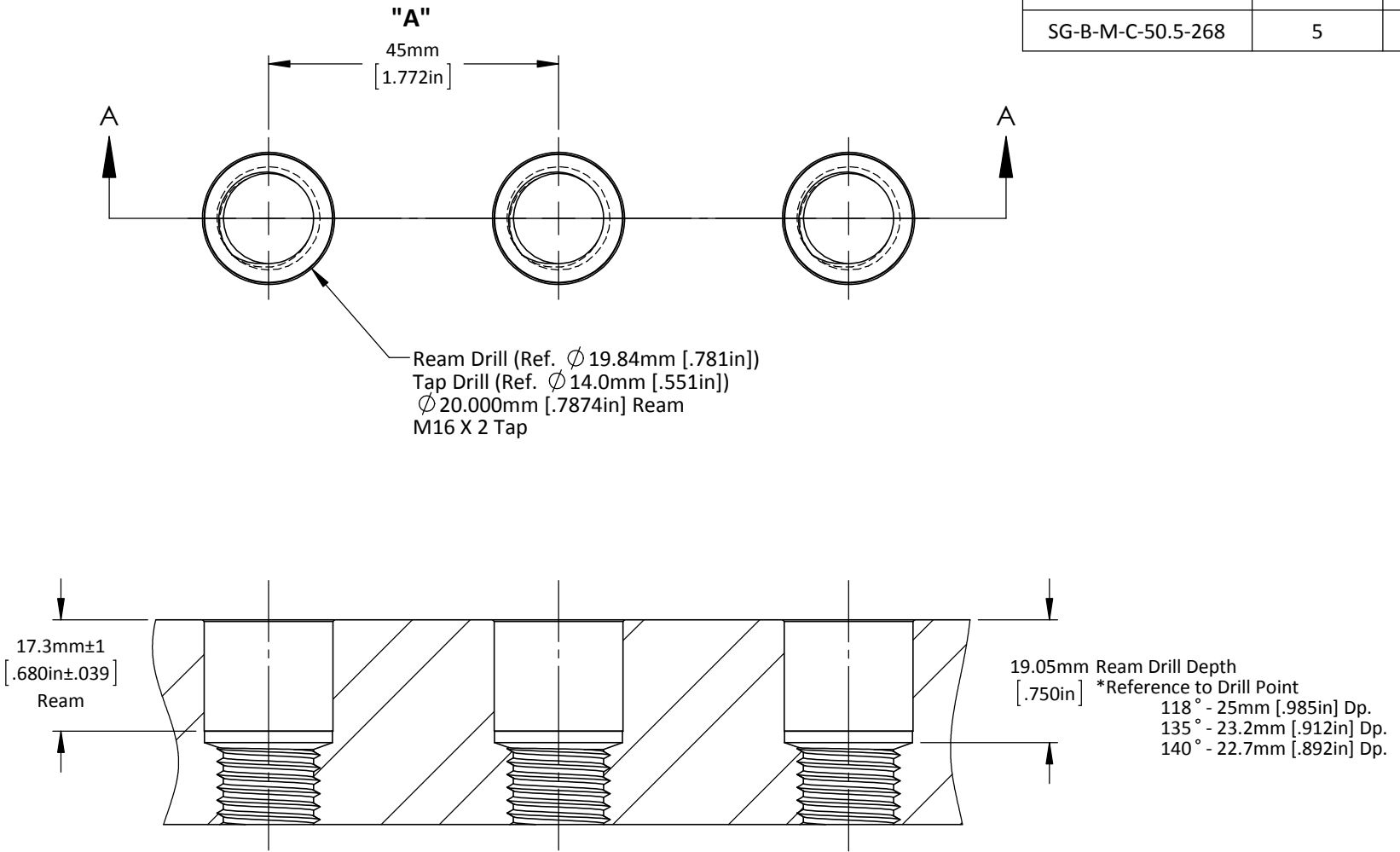




Product Number	"A" Dim.	"B" Spaces	No. of Brgs.
SG-B-M-C-50.5-133	133mm [5.24in]	2	3
SG-B-M-C-50.5-178	178mm [7.01in]	3	4
SG-B-M-C-50.5-223	223mm [8.78in]	4	5
SG-B-M-C-50.5-268	268mm [10.55in]	5	6



Product Number	"A" Spaces	No. of Holes
SG-B-M-C-50.5-133	2	3
SG-B-M-C-50.5-178	3	4
SG-B-M-C-50.5-223	4	5
SG-B-M-C-50.5-268	5	6



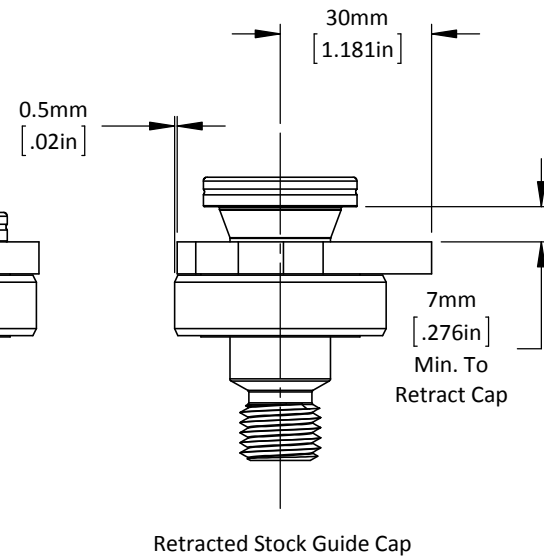
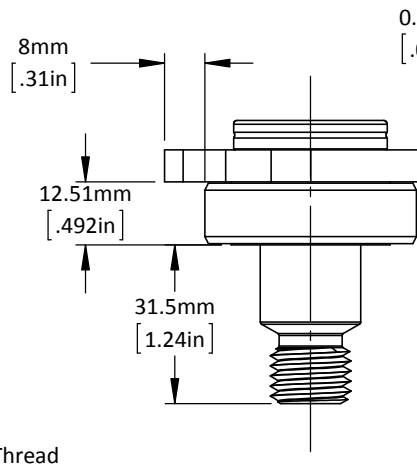
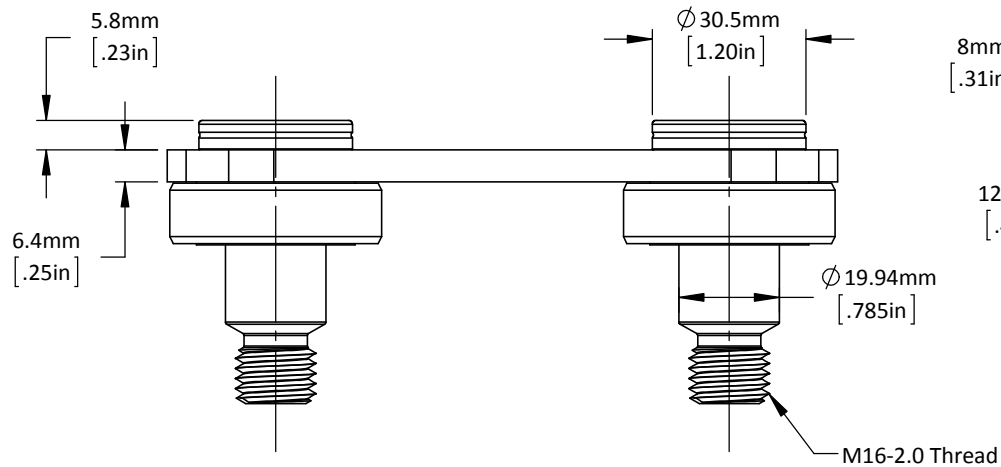
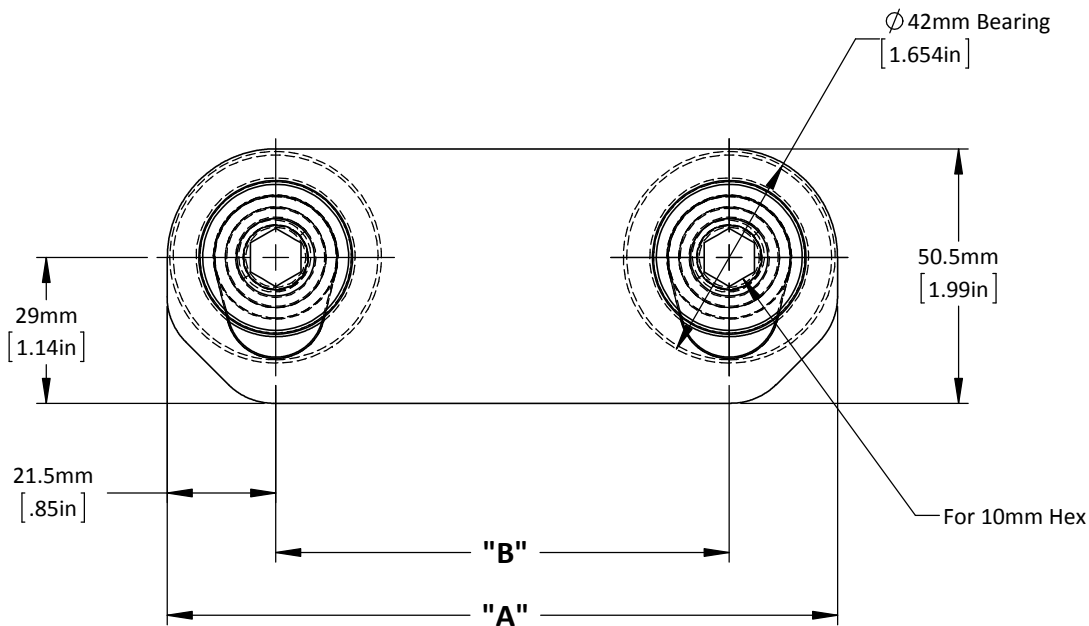
DO NOT SCALE DRAWING

REV 2

This product may be covered by one or more patents or patent applications.  
See <http://www.standardlifters.com/patents.html> for details.

**Stock Guide-SG-B-M-C-50.5-Machining**

**STANDARD LIFTERS INC**

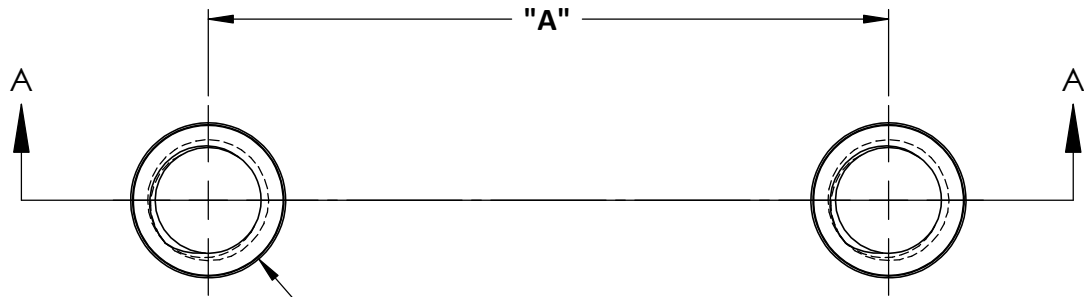


Product Number	"A" Dim.	"B" Dim.
SG-B-M-O-50.5-88	88mm [3.46in]	45mm [1.772in]
SG-B-M-O-50.5-133	133mm [5.24in]	90mm [3.543in]
SG-B-M-O-50.5-178	178mm [7.01in]	135mm [5.315in]
SG-B-M-O-50.5-223	223mm [8.78in]	180mm [7.087in]
SG-B-M-O-50.5-268	268mm [10.55in]	225mm [8.858in]
SG-B-M-O-50.5-313	313mm [12.32in]	270mm [10.630in]
SG-B-M-O-50.5-403	403mm [15.87in]	360mm [14.173in]
SG-B-M-O-50.5-493	493mm [19.41in]	450mm [17.717in]

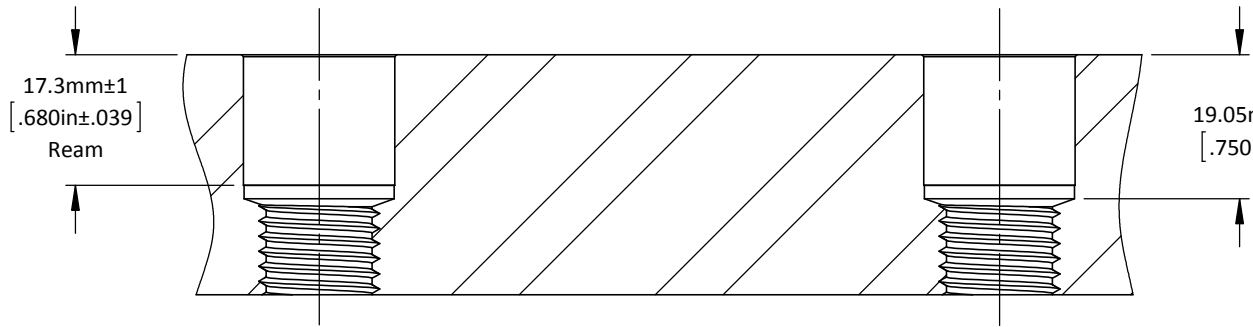
DO NOT SCALE DRAWING REV 1  
 This product may be covered by one or more patents or patent applications.  
 See <http://www.standardlifters.com/patents.html> for details.

**Stock Guide-SG-B-M-O-50.5**  
**STANDARD LIFTERS INC**

Product Number	"A" Dim.
SG-B-M-O-50.5-88	45mm [1.772in]
SG-B-M-O-50.5-133	90mm [3.543in]
SG-B-M-O-50.5-178	135mm [5.315in]
SG-B-M-O-50.5-223	180mm [7.087in]
SG-B-M-O-50.5-268	225mm [8.858in]
SG-B-M-O-50.5-313	270mm [10.630in]
SG-B-M-O-50.5-403	360mm [14.173in]
SG-B-M-O-50.5-493	450mm [17.717in]

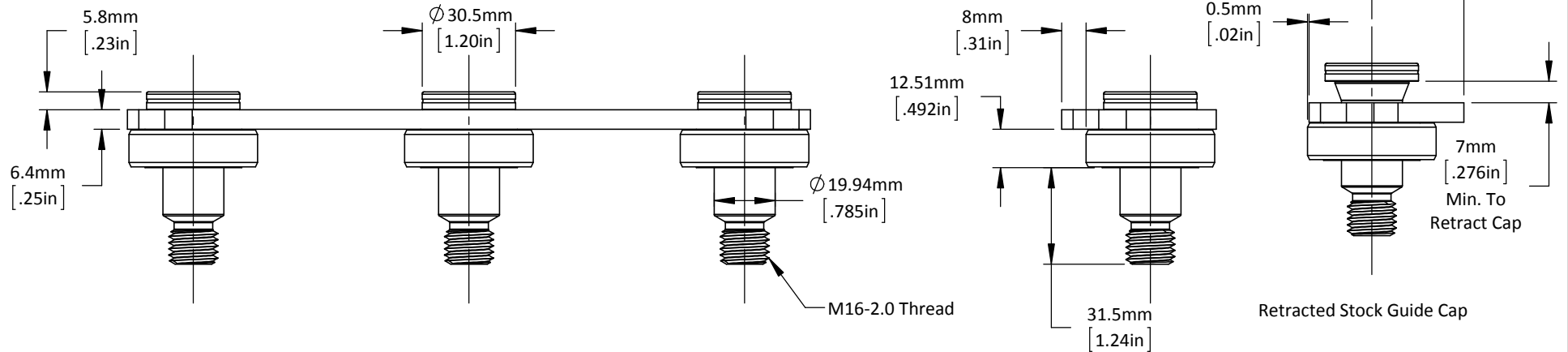
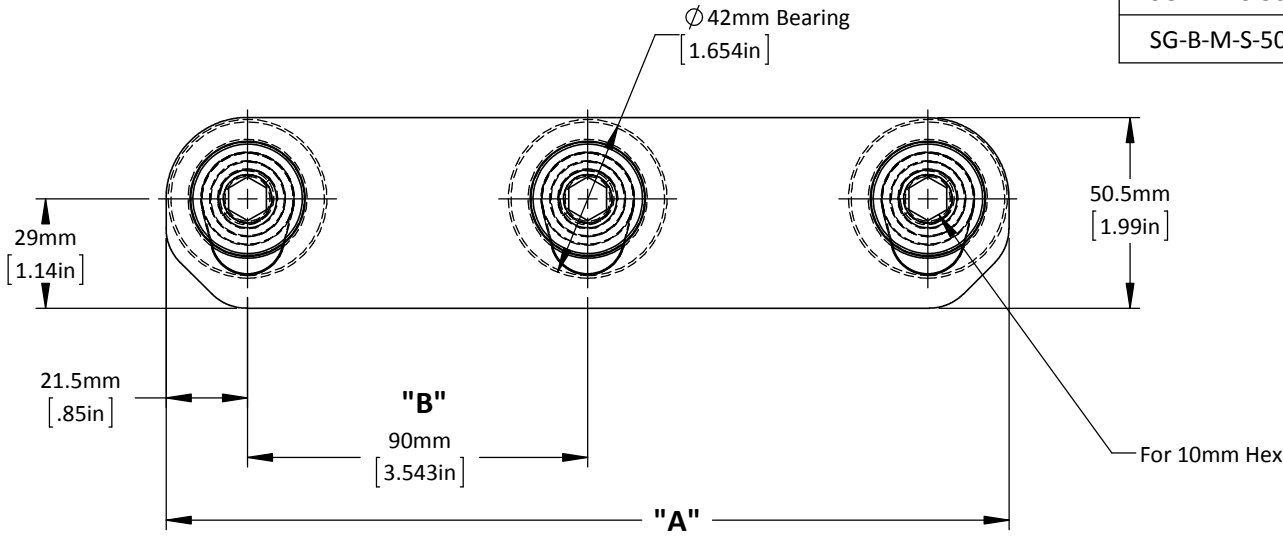


Ream Drill (Ref.  $\phi$  19.84mm [.781in])  
 Tap Drill (Ref.  $\phi$  14.0mm [.551in])  
 $\phi$  20.000mm [.7874in] Ream  
 M16 X 2 Tap



19.05mm Ream Drill Depth  
 [.750in] \*Reference to Drill Point  
 118° - 25mm [.985in] Dp.  
 135° - 23.2mm [.912in] Dp.  
 140° - 22.7mm [.892in] Dp.

Product Number	"A" Dim.	"B" Spaces	No. of Brgs.
SG-B-M-S-50.5-223	223mm [8.78in]	2	3
SG-B-M-S-50.5-313	133mm [5.24in]	3	4
SG-B-M-S-50.5-403	403mm [15.87in]	4	5
SG-B-M-S-50.5-493	493mm [19.41in]	5	6



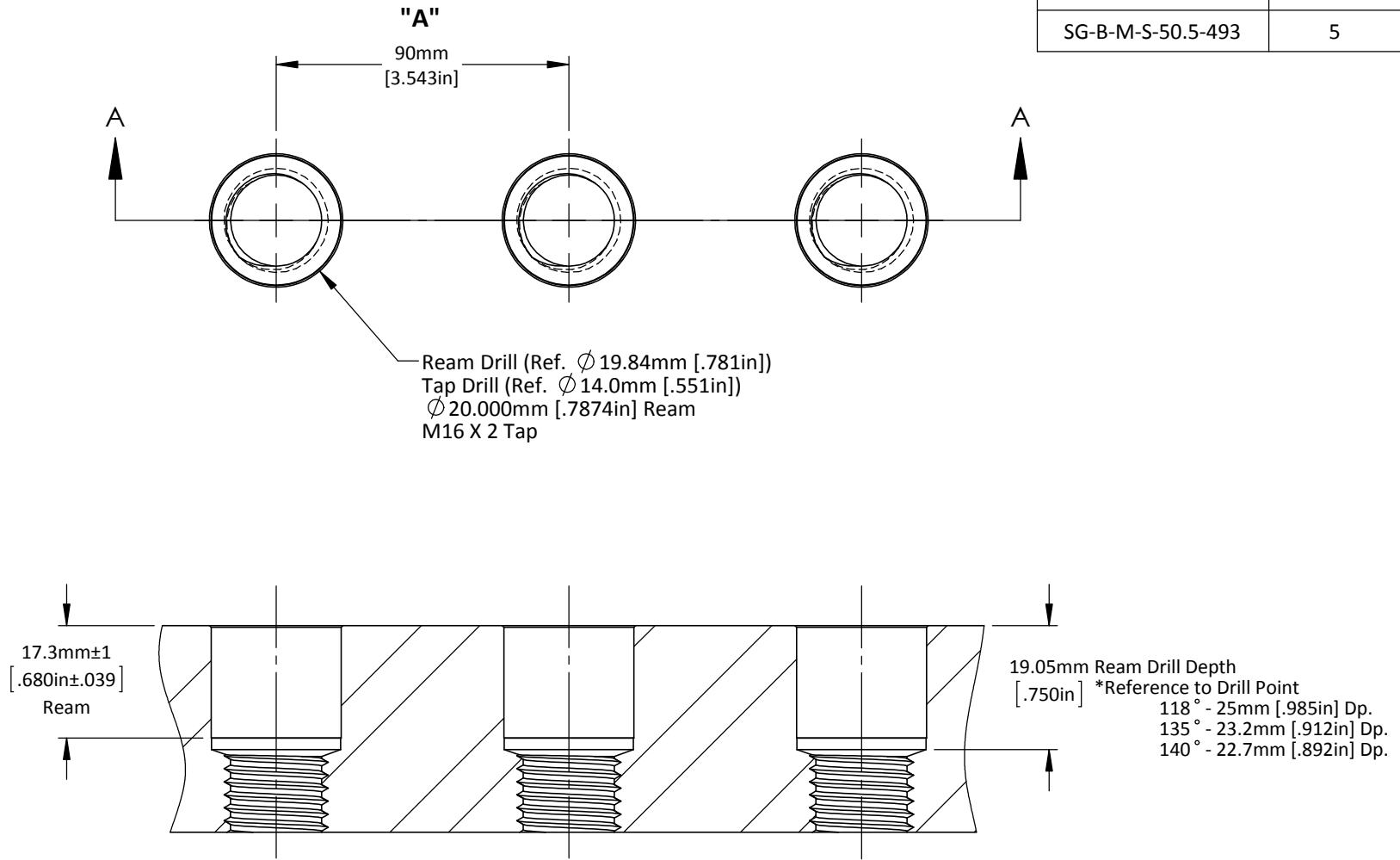
DO NOT SCALE DRAWING    REV 1

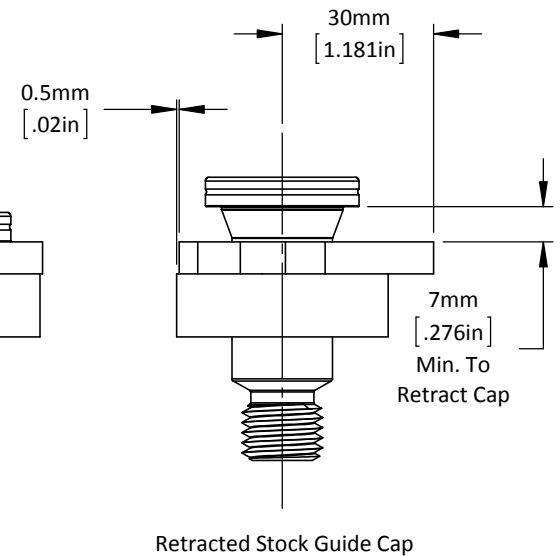
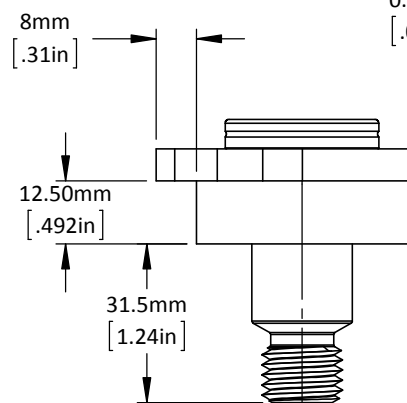
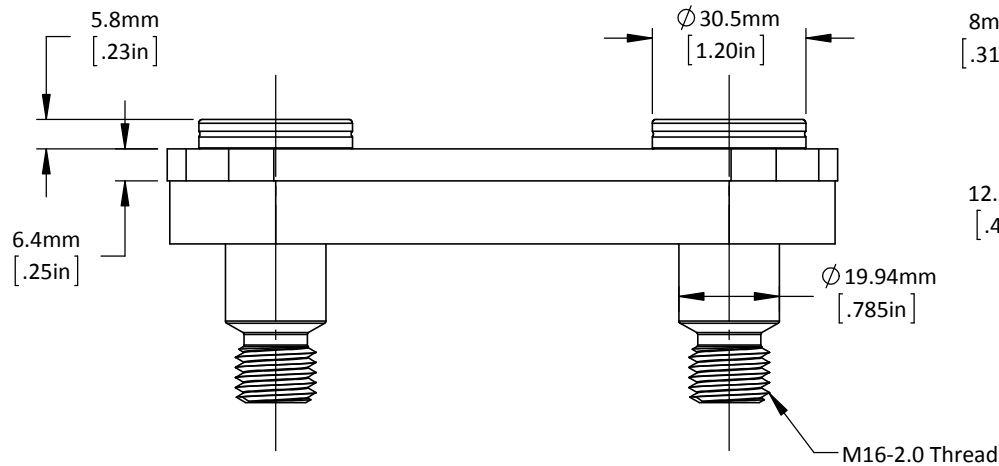
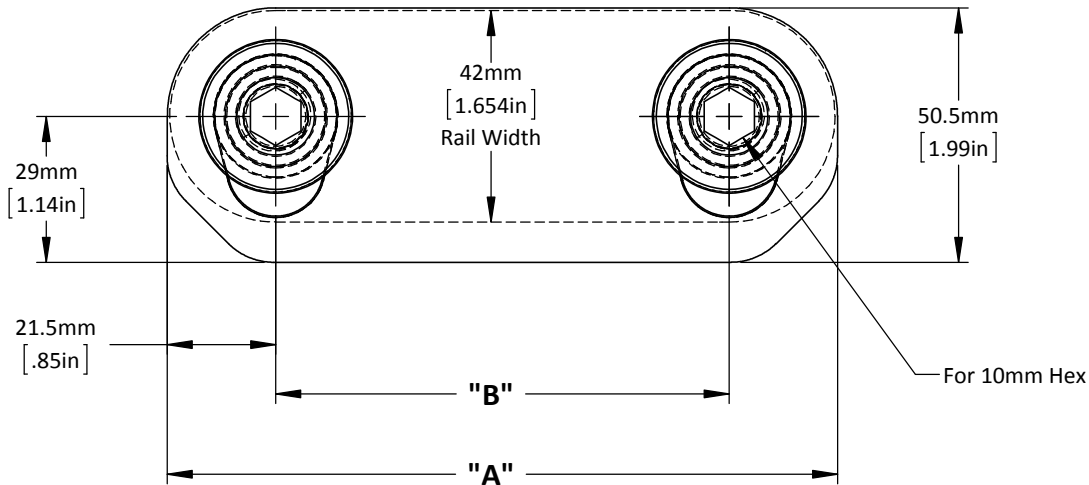
This product may be covered by one or more patents or patent applications.  
See <http://www.standardlifters.com/patents.html> for details.

**Stock Guide-SG-B-M-S-50.5**

**STANDARD LIFTERS INC**

Product Number	"A" Spaces	No. of Holes
SG-B-M-S-50.5-223	2	3
SG-B-M-S-50.5-313	3	4
SG-B-M-S-50.5-403	4	5
SG-B-M-S-50.5-493	5	6





Product Number	"A" Dim.	"B" Dim.
SG-S-M-H-50.5-133	133mm [5.24in]	90mm [3.543in]
SG-S-M-H-50.5-178	178mm [7.01in]	135mm [5.315in]
SG-S-M-H-50.5-223	223mm [8.78in]	180mm [7.087in]
SG-S-M-H-50.5-268	268mm [10.55in]	225mm [8.858in]
SG-S-M-H-50.5-313	313mm [12.32in]	270mm [10.630in]
SG-S-M-H-50.5-403	403mm [15.87in]	360mm [14.173in]

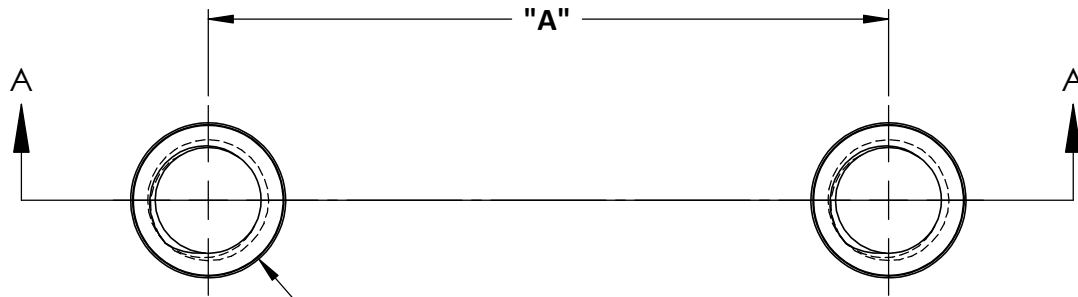
DO NOT SCALE DRAWING    REV 1

This product may be covered by one or more patents or patent applications.  
See <http://www.standardlifters.com/patents.html> for details.

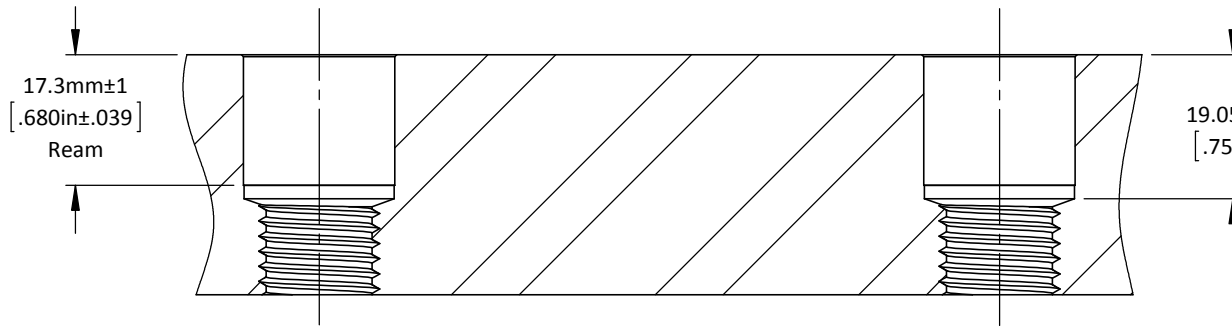
**Stock Guide-SG-S-M-H-50.5**

**STANDARD LIFTERS INC**

Product Number	"A" Dim.
SG-S-M-H-50.5-133	90mm [3.543in]
SG-S-M-H-50.5-178	135mm [5.315in]
SG-S-M-H-50.5-223	180mm [7.087in]
SG-S-M-H-50.5-268	225mm [8.858in]
SG-S-M-H-50.5-313	270mm [10.630in]
SG-S-M-H-50.5-403	360mm [14.173in]



Ream Drill (Ref.  $\phi$  19.84mm [.781in])  
 Tap Drill (Ref.  $\phi$  14.0mm [.551in])  
 $\phi$  20.000mm [.7874in] Ream  
 M16 X 2 Tap



19.05mm Ream Drill Depth  
 [.750in] \*Reference to Drill Point  
 118° - 25mm [.985in] Dp.  
 135° - 23.2mm [.912in] Dp.  
 140° - 22.7mm [.892in] Dp.