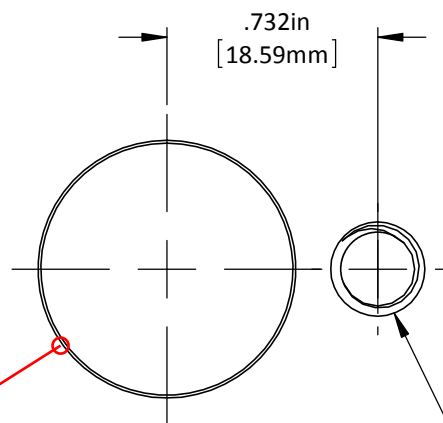


DO NOT SCALE DRAWING	REV 1
This product may be covered by one or more patents or patent applications. See http://www.standardlifters.com/patents.html for details.	

Gas Spring Clamp-GSC-19-A
STANDARD LIFTERS INC

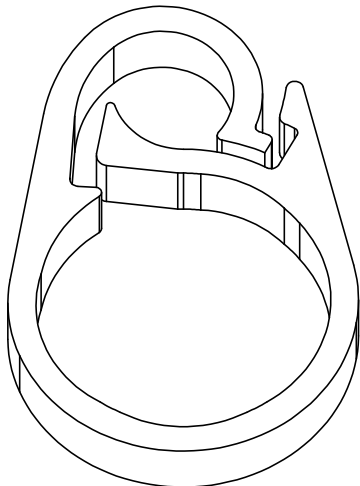
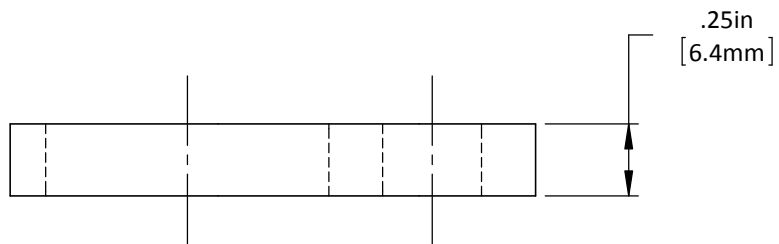
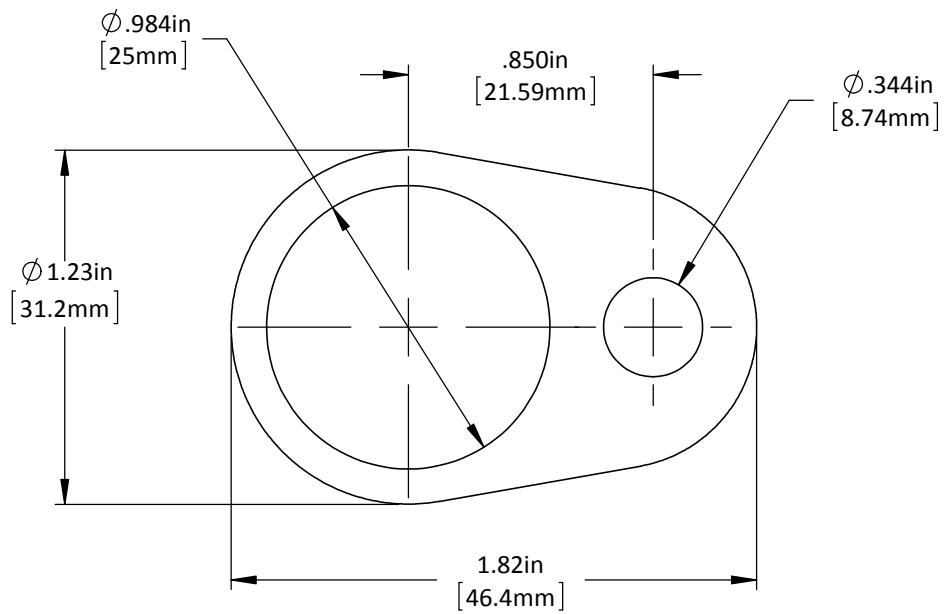


*Refer to Nitrogen Spring Manufacturer
for Recommended Hole Size

"E" = 5/16"-18 Tap X .62in Dp.
"M" = M8-1.25 Tap X 16mm Dp.

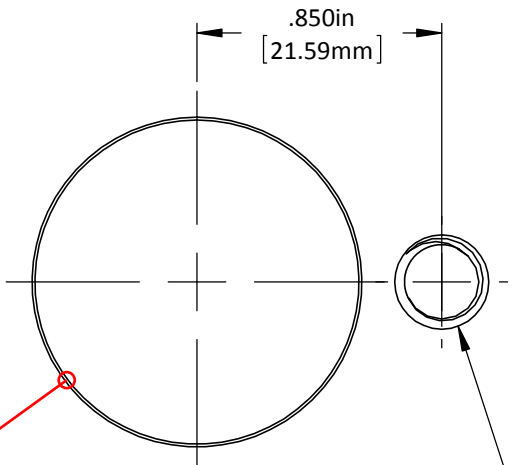
DO NOT SCALE DRAWING	REV 1
This product may be covered by one or more patents or patent applications. See http://www.standardlifters.com/patents.html for details.	

Gas Spring Clamp-GSC-19-A-Machining
STANDARD LIFTERS INC



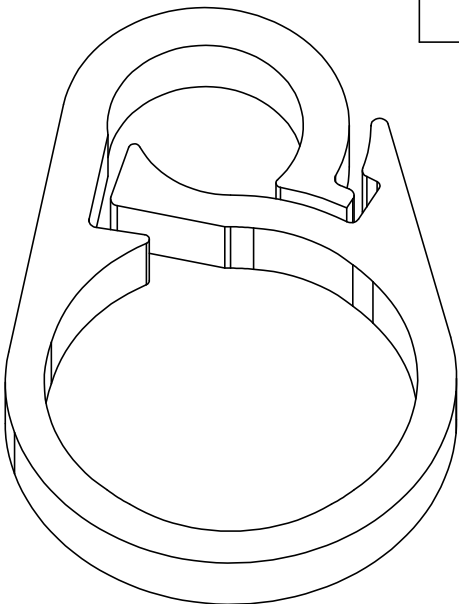
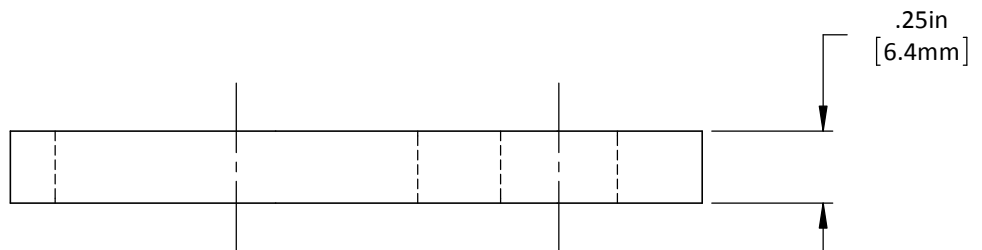
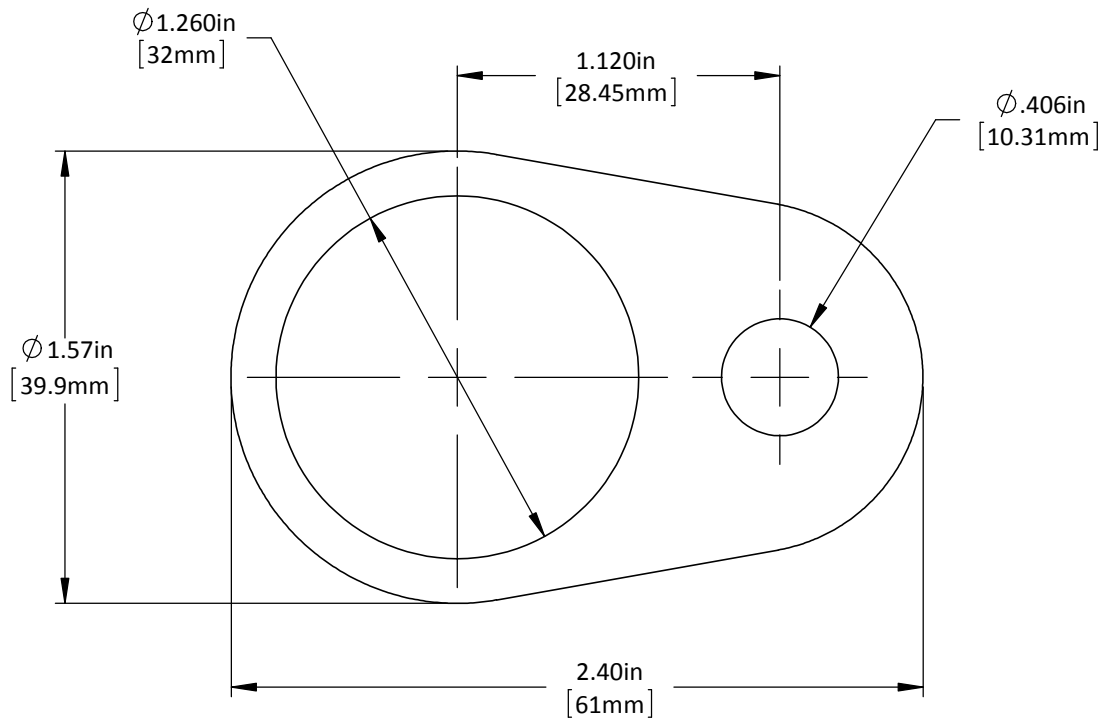
DO NOT SCALE DRAWING | REV 1
 This product may be covered by one or more patents or patent applications.
 See <http://www.standardlifters.com/patents.html> for details.

Gas Spring Clamp-GSC-25-A
STANDARD LIFTERS INC



*Refer to Nitrogen Spring Manufacturer
for Recommended Hole Size

"E" = 5/16"-18 Tap X .62in Dp.
"M" = M8-1.25 Tap X 16mm Dp.

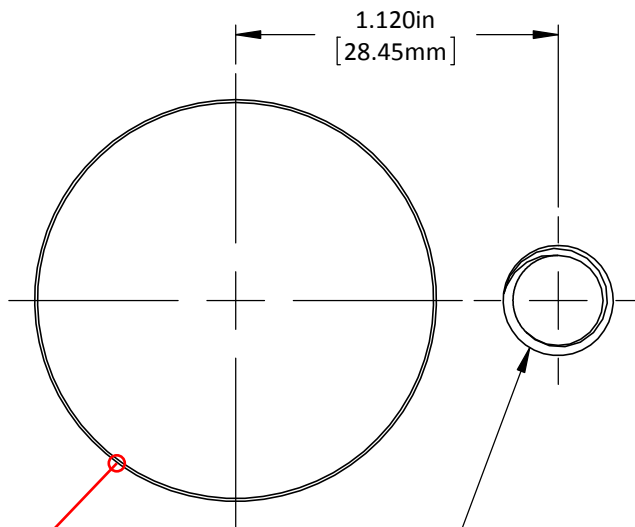


DO NOT SCALE DRAWING | REV 1

This product may be covered by one or more patents or patent applications.
 See <http://www.standardlifters.com/patents.html> for details.

Gas Spring Clamp-GSC-32-A

STANDARD LIFTERS INC

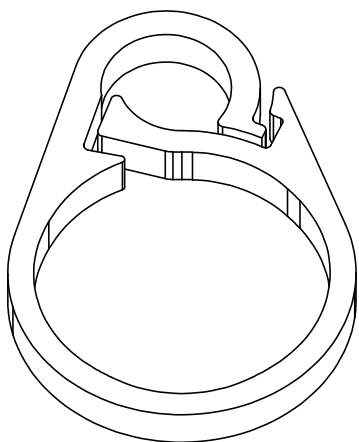
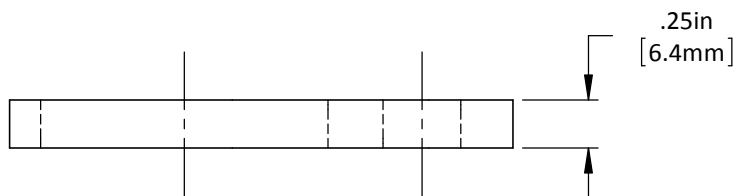
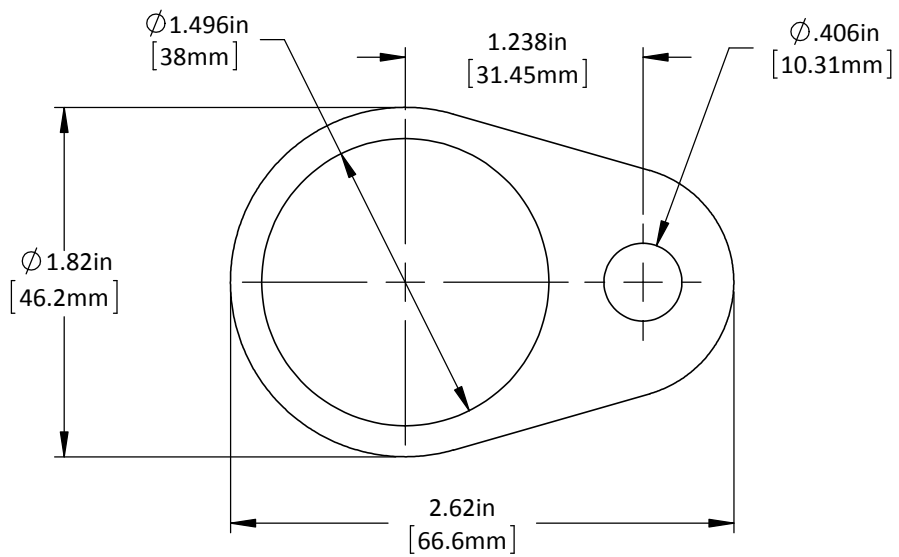


*Refer to Nitrogen Spring Manufacturer
for Recommended Hole Size

"E" = 3/8"-16 Tap X .75in Dp.
"M" = M10-1.50 Tap X 20mm Dp.

DO NOT SCALE DRAWING	REV 1
This product may be covered by one or more patents or patent applications. See http://www.standardlifters.com/patents.html for details.	

Gas Spring Clamp-GSC-32-A-Machining
STANDARD LIFTERS INC

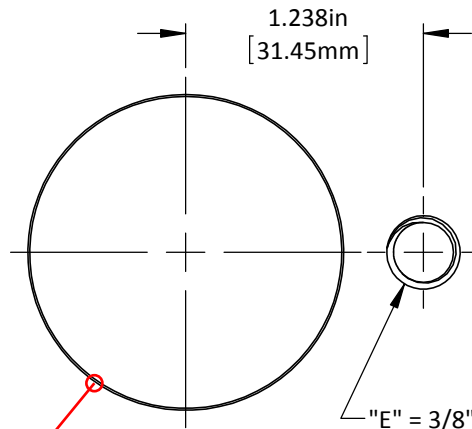


DO NOT SCALE DRAWING | REV 1

This product may be covered by one or more patents or patent applications.
See <http://www.standardlifters.com/patents.html> for details.

Gas Spring Clamp-GSC-38-A

STANDARD LIFTERS INC



"E" = 3/8"-16 Tap X .75in Dp.
"M" = M10-1.50 Tap X 20mm Dp.

*Refer to Nitrogen Spring Manufacturer
for Recommended Hole Size

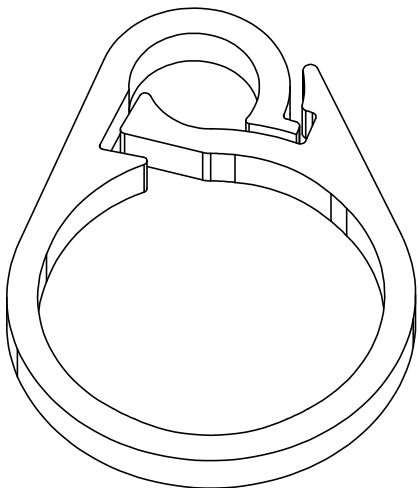
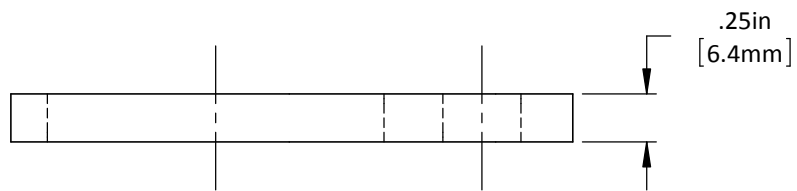
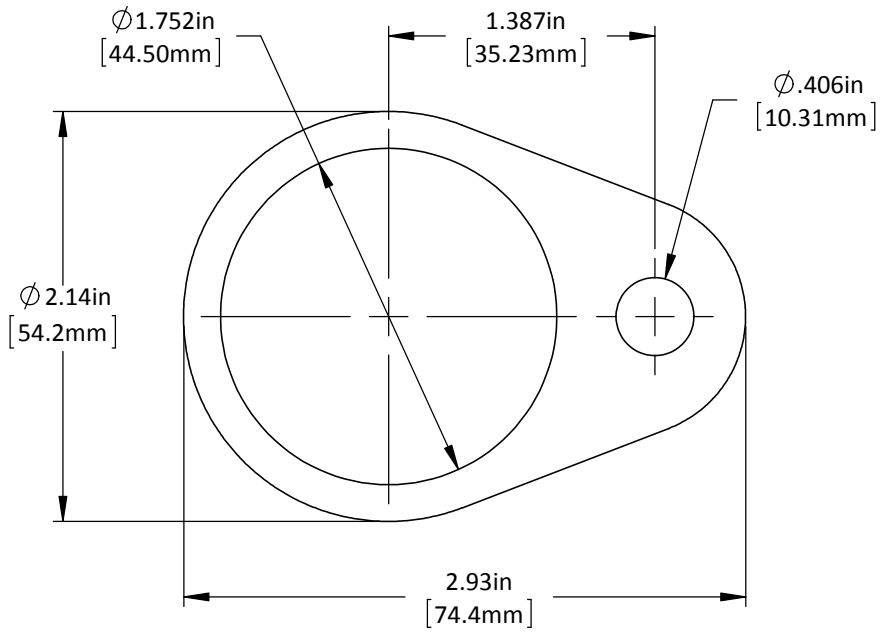
DO NOT SCALE DRAWING

REV 1

This product may be covered by one or more patents or
patent applications.
See <http://www.standardlifters.com/patents.html> for details.

Gas Spring Clamp-GSC-38-A-Machining

STANDARD LIFTERS INC

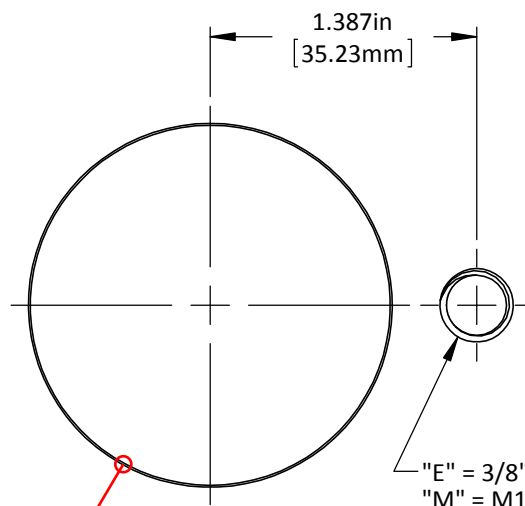


DO NOT SCALE DRAWING REV 1

This product may be covered by one or more patents or patent applications.
 See <http://www.standardlifters.com/patents.html> for details.

Gas Spring Clamp-GSC-44.5-A

STANDARD LIFTERS INC



"E" = 3/8"-16 Tap X .75in Dp.
 "M" = M10-1.50 Tap X 20mm Dp.

*Refer to Nitrogen Spring Manufacturer
 for Recommended Hole Size

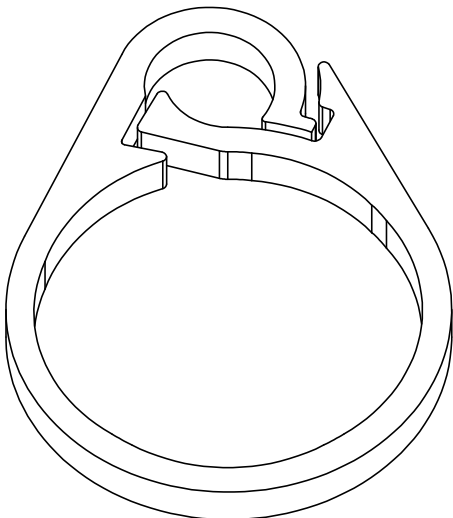
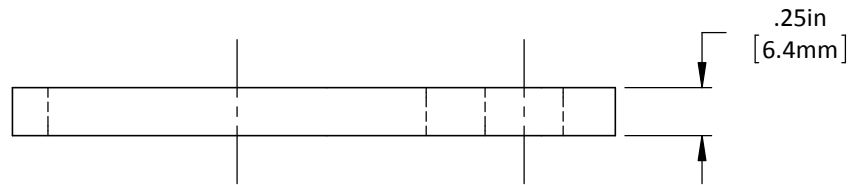
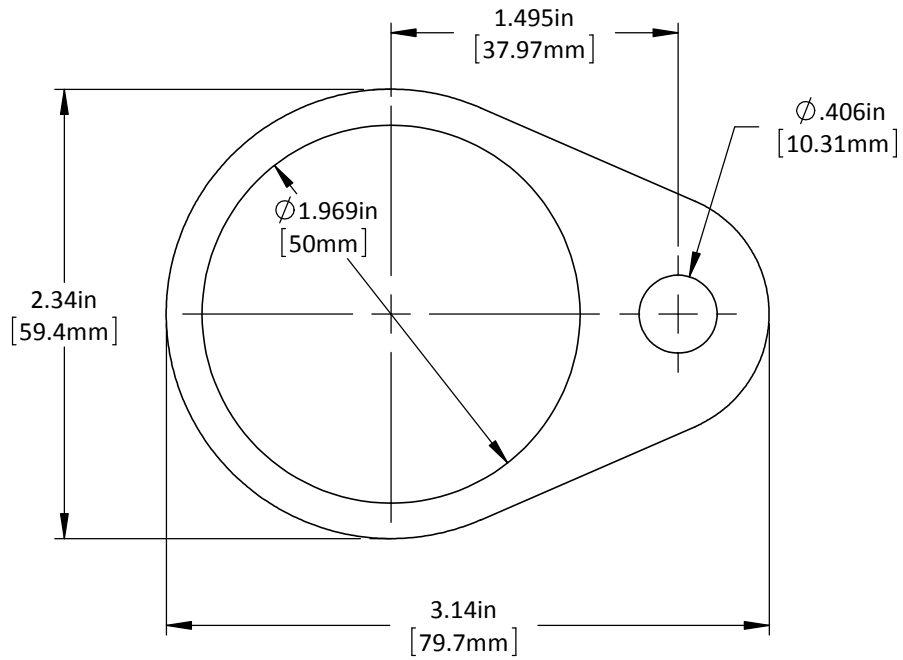
DO NOT SCALE DRAWING

REV 1

Gas Spring Clamp-GSC-44.5-A-Machining

This product may be covered by one or more patents or patent applications.
 See <http://www.standardlifters.com/patents.html> for details.

STANDARD LIFTERS INC



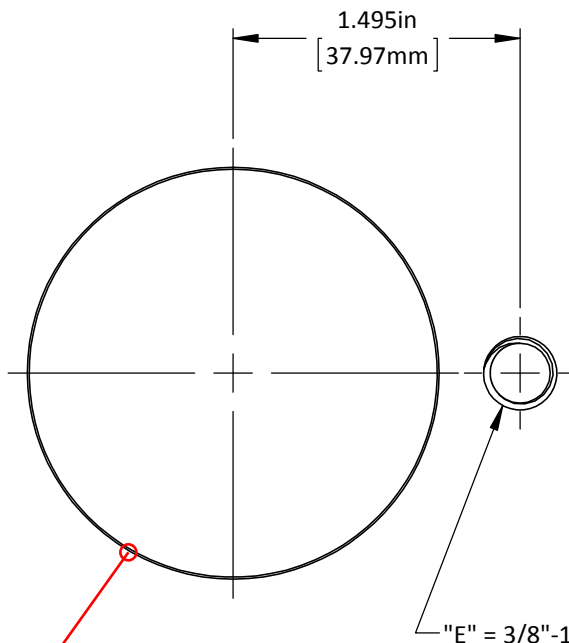
DO NOT SCALE DRAWING

REV 1

This product may be covered by one or more patents or patent applications.
See <http://www.standardlifters.com/patents.html> for details.

Gas Spring Clamp-GSC-50-A

STANDARD LIFTERS INC

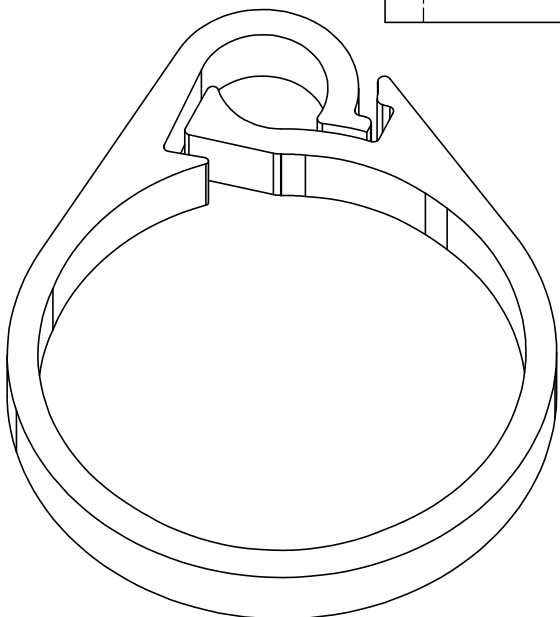
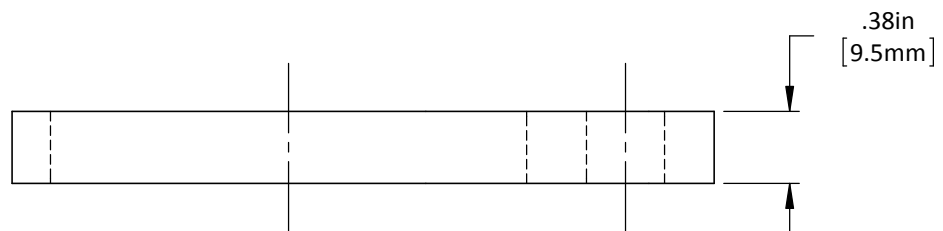
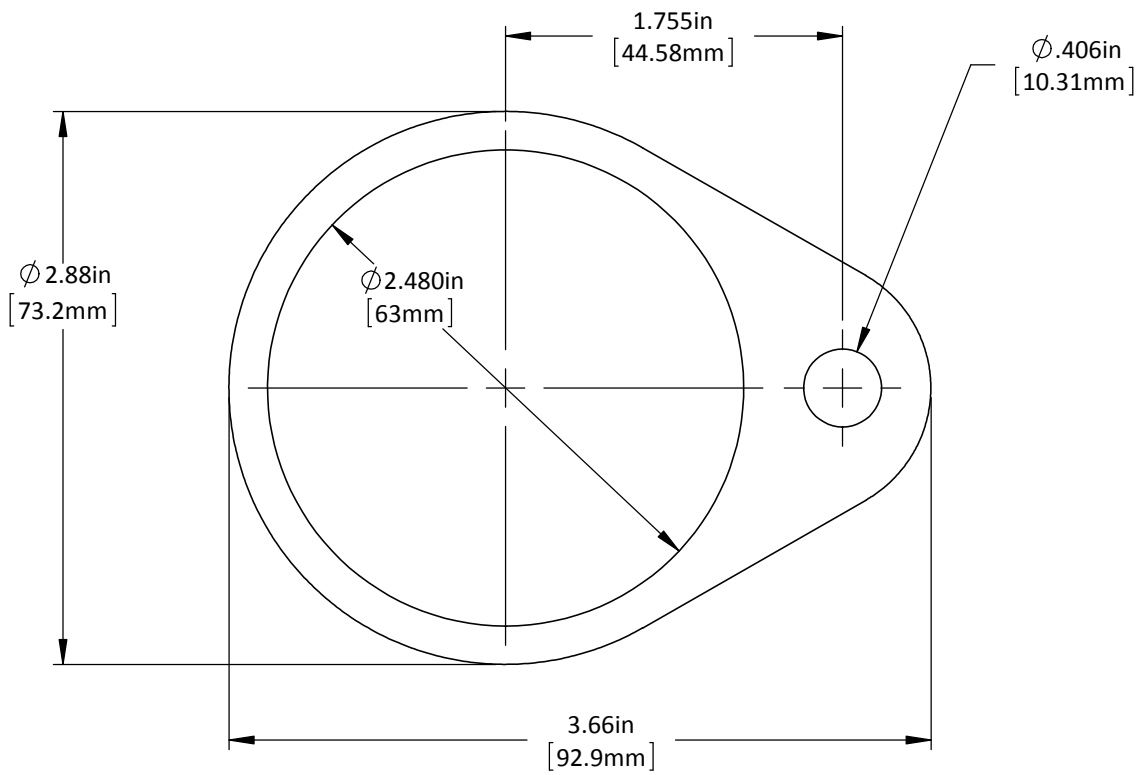


*Refer to Nitrogen Spring Manufacturer
for Recommended Hole Size

"E" = 3/8"-16 Tap X .75in Dp.
"M" = M10-1.50 Tap X 20mm Dp.

DO NOT SCALE DRAWING	REV 1
This product may be covered by one or more patents or patent applications. See http://www.standardlifters.com/patents.html for details.	

Gas Spring Clamp-GSC-50-A-Machining
STANDARD LIFTERS INC

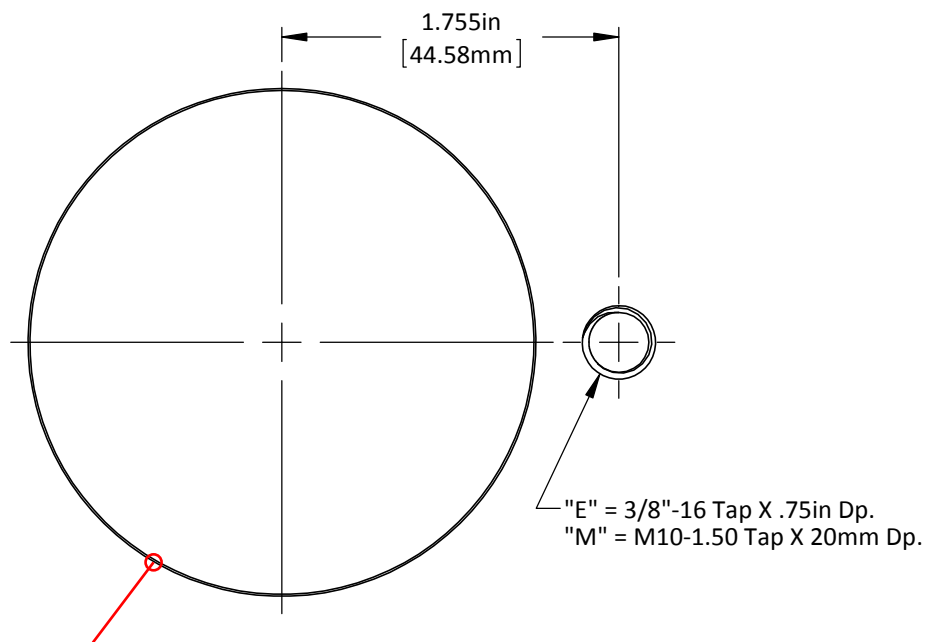


DO NOT SCALE DRAWING REV 1

This product may be covered by one or more patents or
 patent applications.
 See <http://www.standardlifters.com/patents.html> for details.

Gas Spring Clamp-GSC-63-A

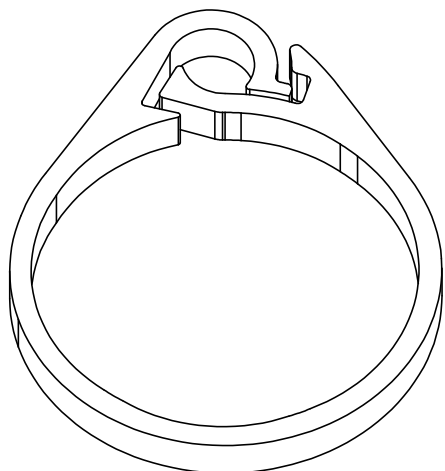
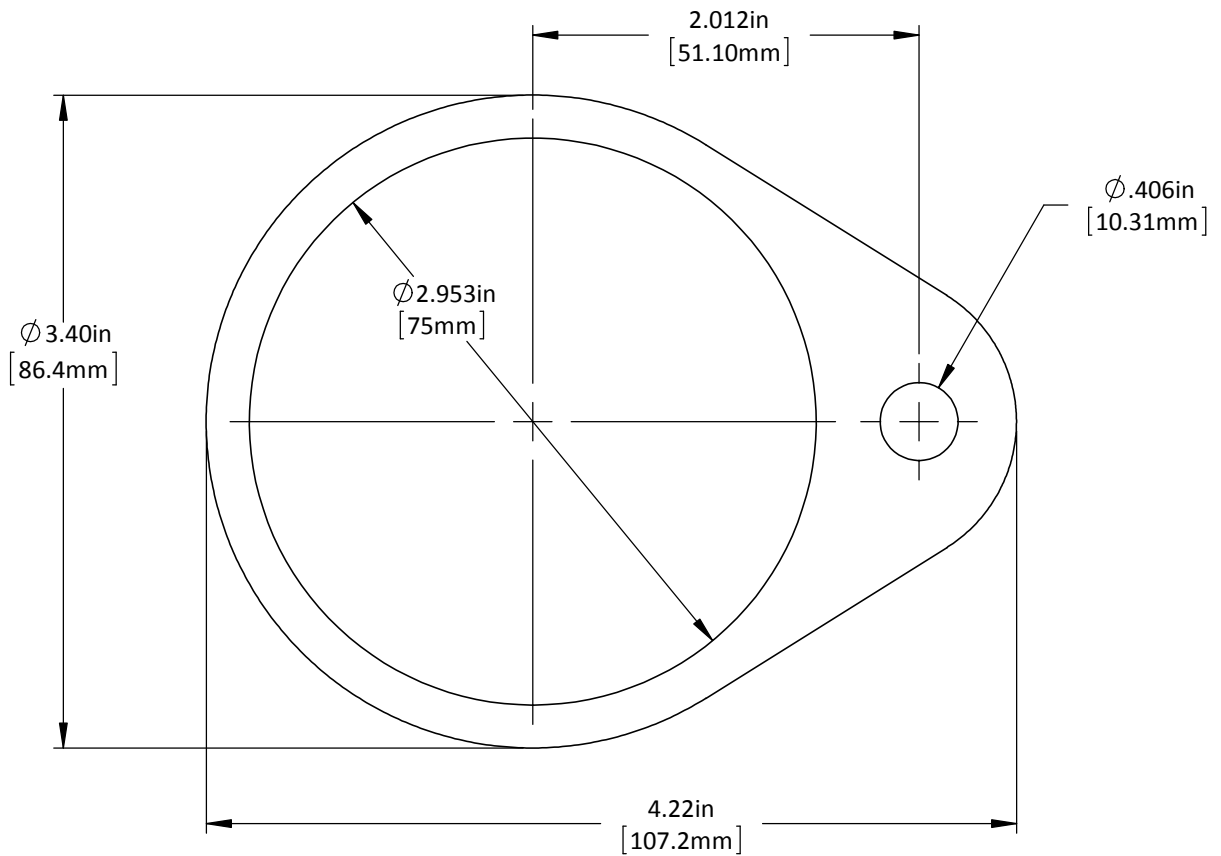
STANDARD LIFTERS INC



*Refer to Nitrogen Spring Manufacturer
for Recommended Hole Size

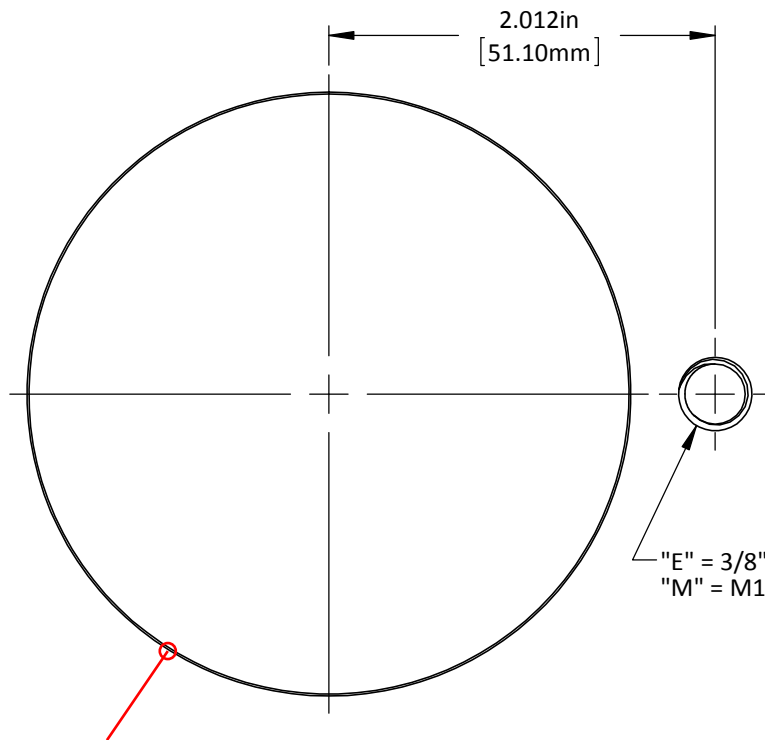
DO NOT SCALE DRAWING	REV 1
This product may be covered by one or more patents or patent applications. See http://www.standardlifters.com/patents.html for details.	

Gas Spring Clamp-GSC-63-A-Machining
STANDARD LIFTERS INC



DO NOT SCALE DRAWING | REV 1
 This product may be covered by one or more patents or patent applications.
 See <http://www.standardlifters.com/patents.html> for details.

Gas Spring Clamp-GSC-75-A
STANDARD LIFTERS INC

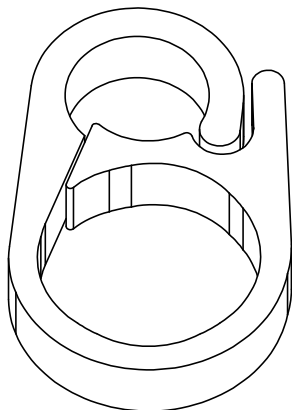
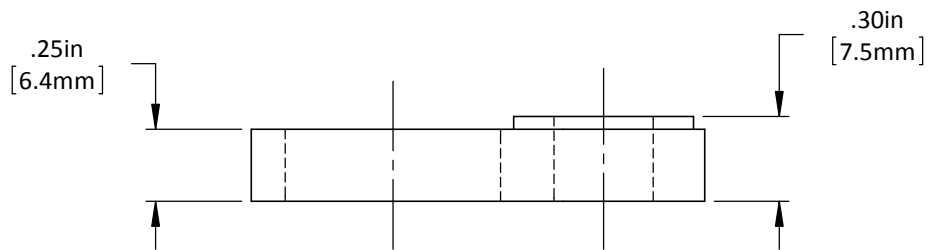
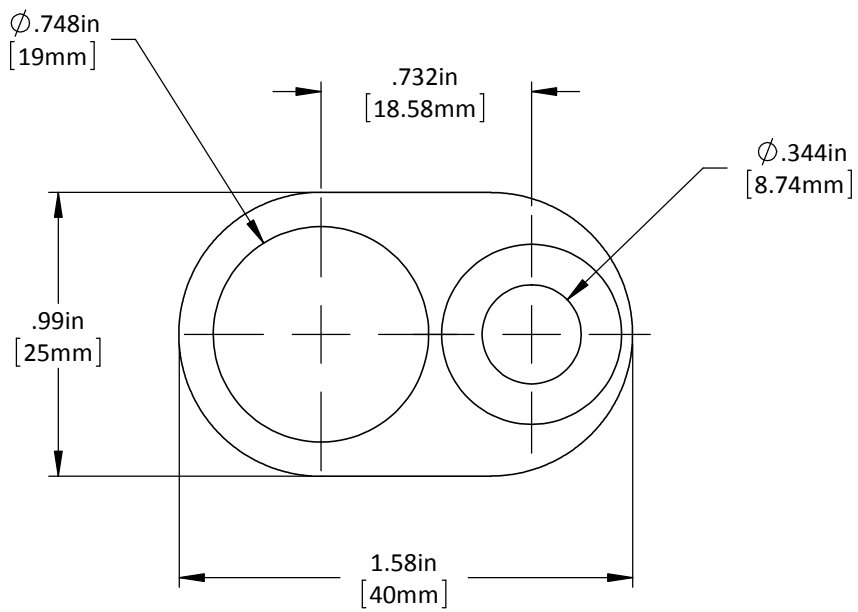


"E" = 3/8"-16 Tap X .75in Dp.
 "M" = M10-1.50 Tap X 20mm Dp.

***Refer to Nitrogen Spring Manufacturer
 for Recommended Hole Size**

DO NOT SCALE DRAWING	REV 1
This product may be covered by one or more patents or patent applications. See http://www.standardlifters.com/patents.html for details.	

Gas Spring Clamp-GSC-75-A-Machining
STANDARD LIFTERS INC

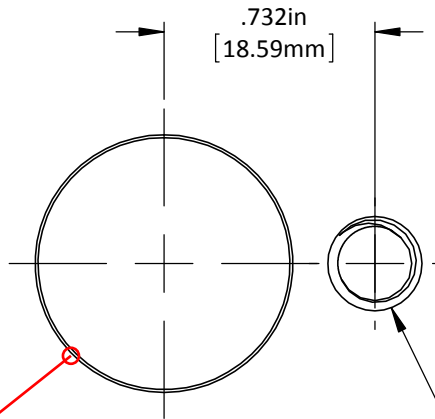


DO NOT SCALE DRAWING | REV 1

This product may be covered by one or more patents or patent applications.
See <http://www.standardlifters.com/patents.html> for details.

Gas Spring Clamp-GSC-19-B

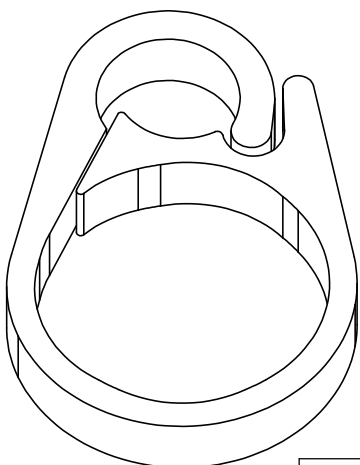
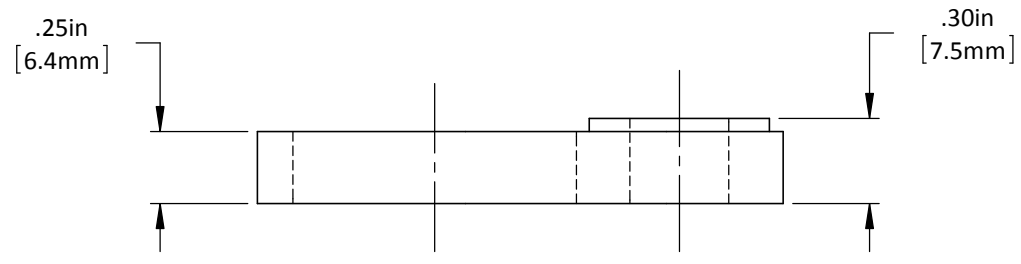
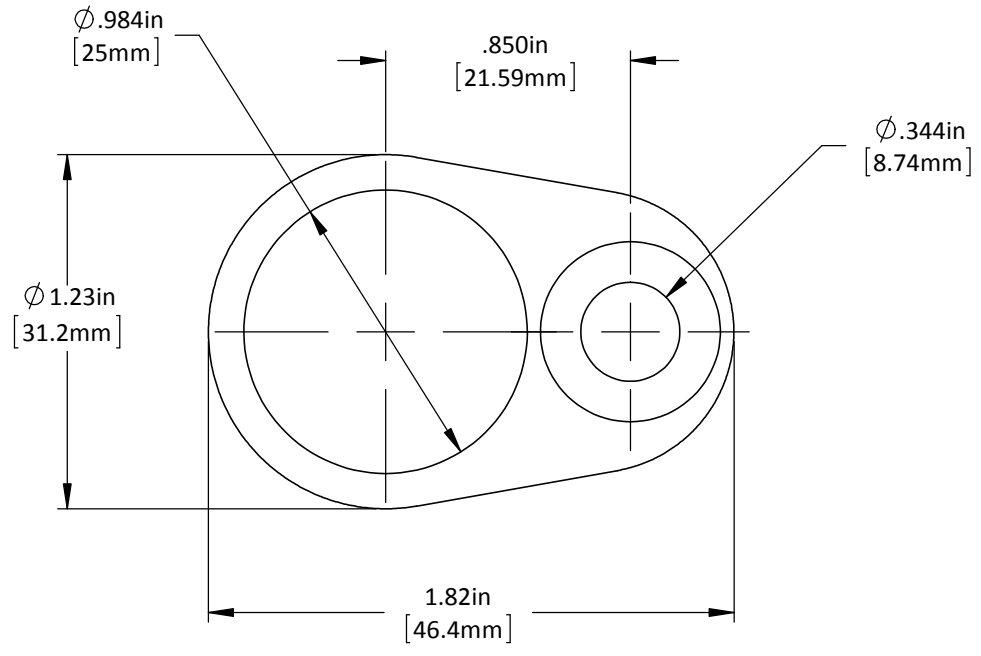
STANDARD LIFTERS INC



*Refer to Nitrogen Spring Manufacturer
for Recommended Hole Size

"E" = 5/16"-18 Tap X .62in Dp.
"M" = M8-1.25 Tap X 16mm Dp.

DO NOT SCALE DRAWING	REV 1	Gas Spring Clamp-GSC-19-B-Machining STANDARD LIFTERS INC
This product may be covered by one or more patents or patent applications. See http://www.standardlifters.com/patents.html for details.		

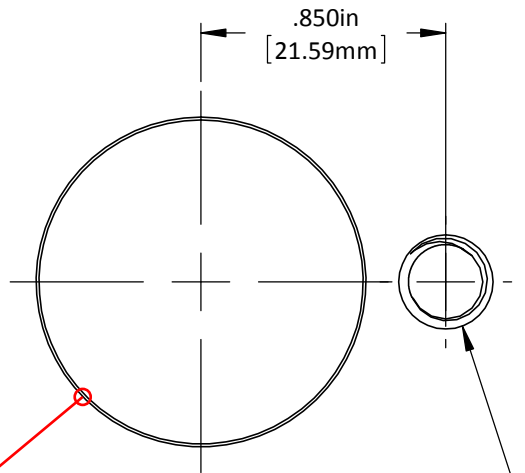


DO NOT SCALE DRAWING | REV 1

This product may be covered by one or more patents or patent applications.
 See <http://www.standardlifters.com/patents.html> for details.

Gas Spring Clamp-GSC-25-B

STANDARD LIFTERS INC



*Refer to Nitrogen Spring Manufacturer
for Recommended Hole Size

"E" = 5/16"-18 Tap X .62in Dp.
"M" = M8-1.25 Tap X 16mm Dp.

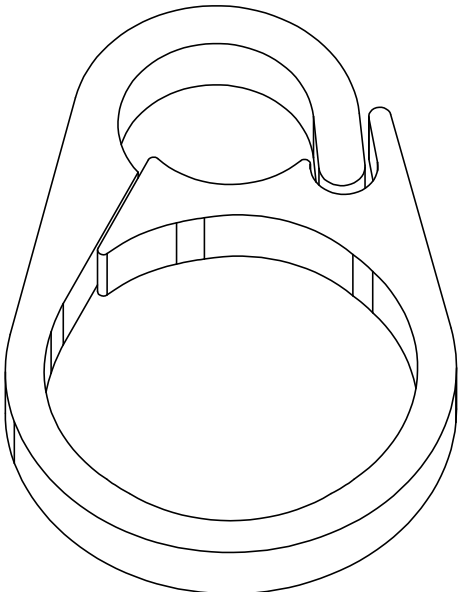
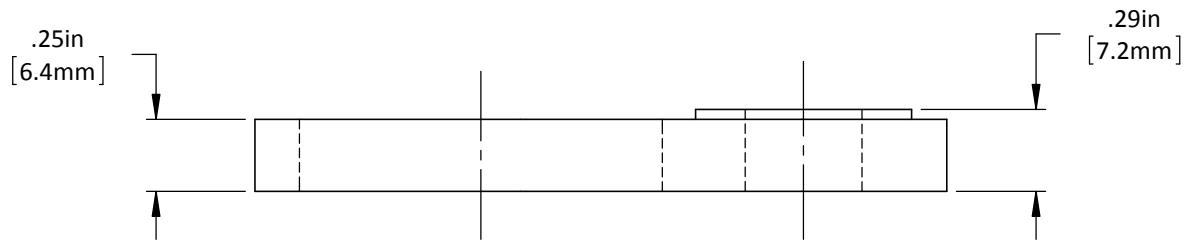
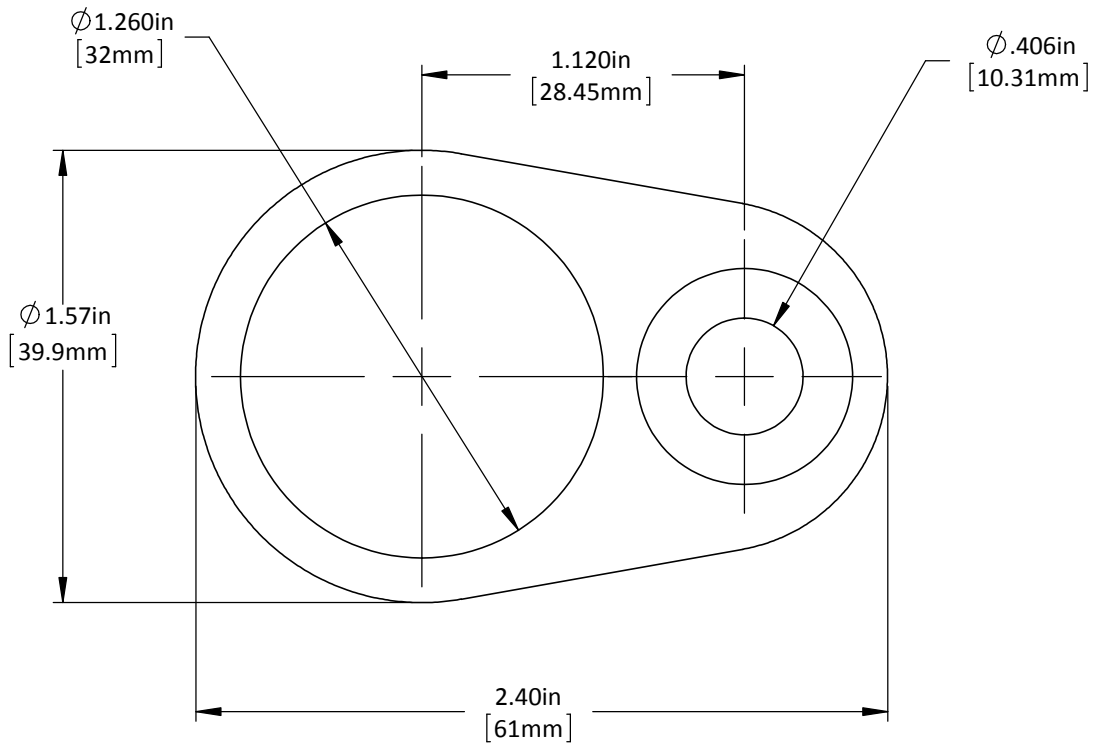
DO NOT SCALE DRAWING

REV 1

Gas Spring Clamp-GSC-25-B-Machining

This product may be covered by one or more patents or
patent applications.
See <http://www.standardlifters.com/patents.html> for details.

STANDARD LIFTERS INC

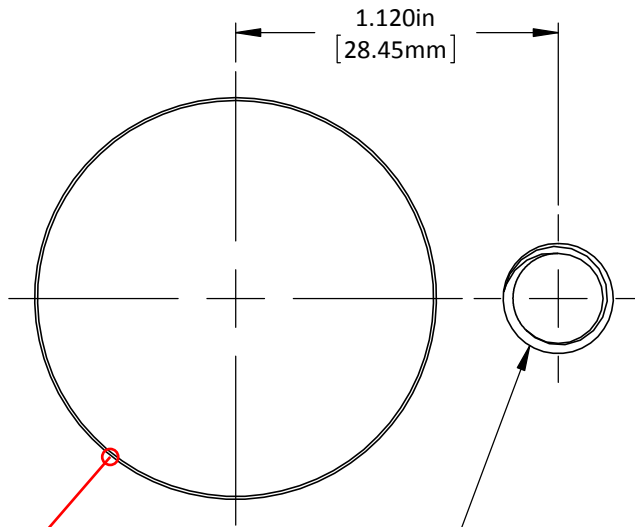


DO NOT SCALE DRAWING | REV 1

This product may be covered by one or more patents or patent applications.
 See <http://www.standardlifters.com/patents.html> for details.

Gas Spring Clamp-GSC-32-B

STANDARD LIFTERS INC



*Refer to Nitrogen Spring Manufacturer
for Recommended Hole Size

"E" = 3/8"-16 Tap X .75in Dp.
"M" = M10-1.50 Tap X 20mm Dp.

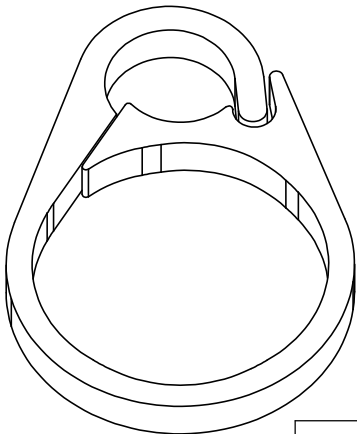
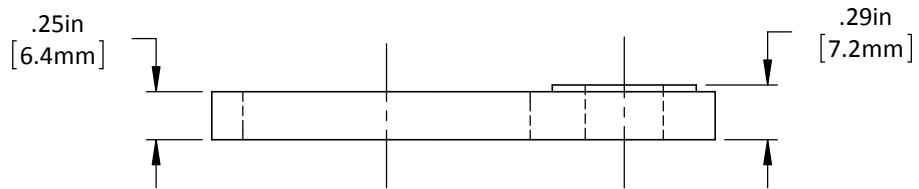
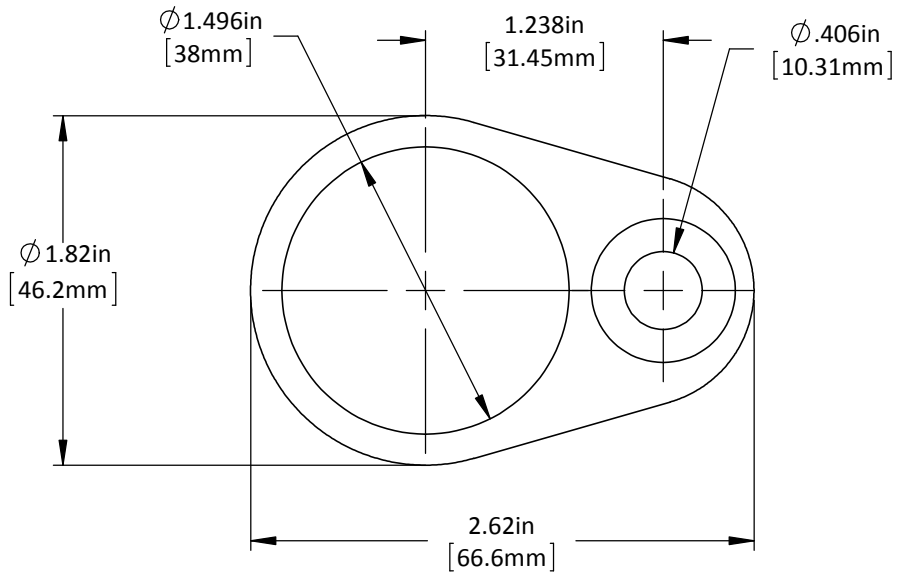
DO NOT SCALE DRAWING

REV 1

This product may be covered by one or more patents or
patent applications.
See <http://www.standardlifters.com/patents.html> for details.

Gas Spring Clamp-GSC-32-B-Machining

STANDARD LIFTERS INC

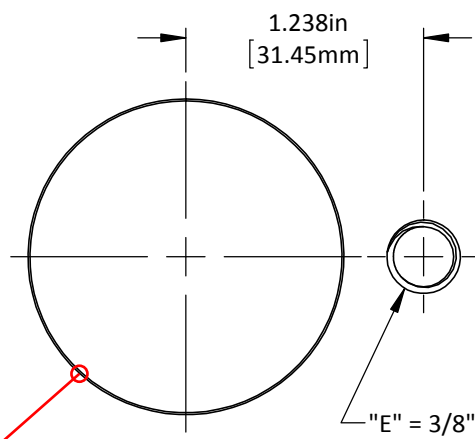


DO NOT SCALE DRAWING | REV 1

This product may be covered by one or more patents or patent applications.
 See <http://www.standardlifters.com/patents.html> for details.

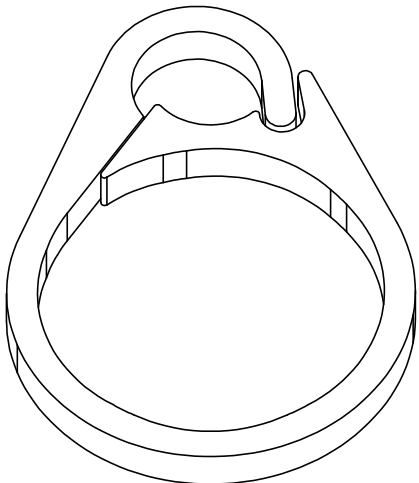
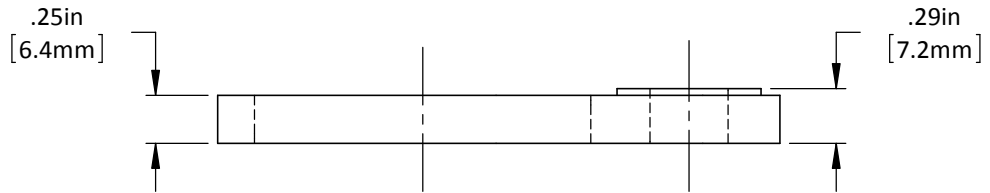
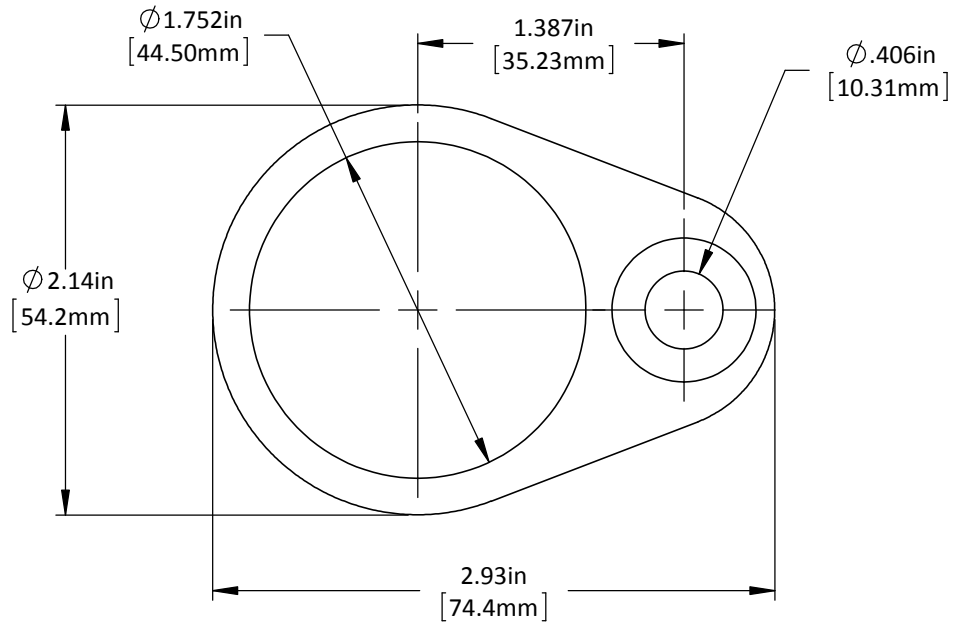
Gas Spring Clamp-GSC-38-B

STANDARD LIFTERS INC



*Refer to Nitrogen Spring Manufacturer
for Recommended Hole Size

"E" = 3/8"-16 Tap X .75in Dp.
"M" = M10-1.50 Tap X 20mm Dp.



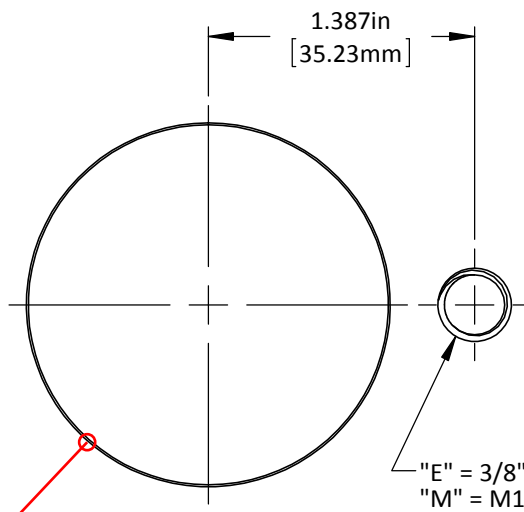
DO NOT SCALE DRAWING

REV 1

Gas Spring Clamp-GSC-44.5-B

This product may be covered by one or more patents or patent applications.
 See <http://www.standardlifters.com/patents.html> for details.

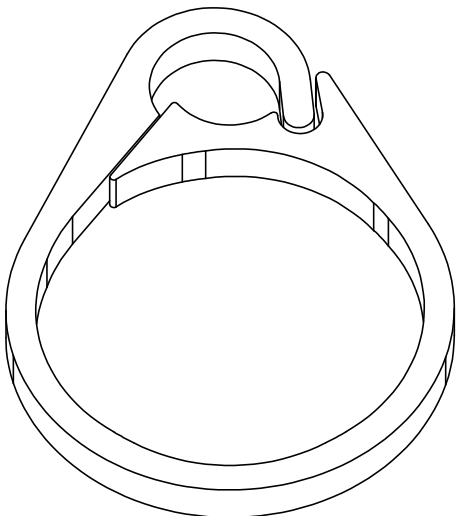
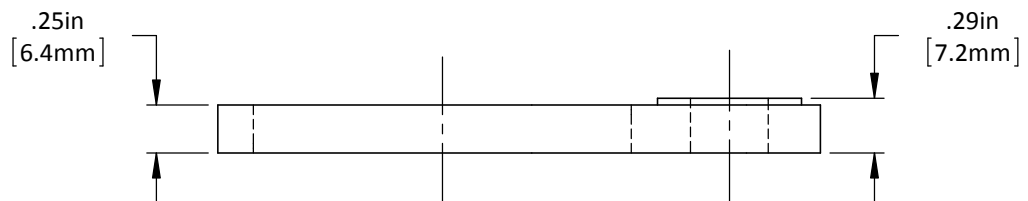
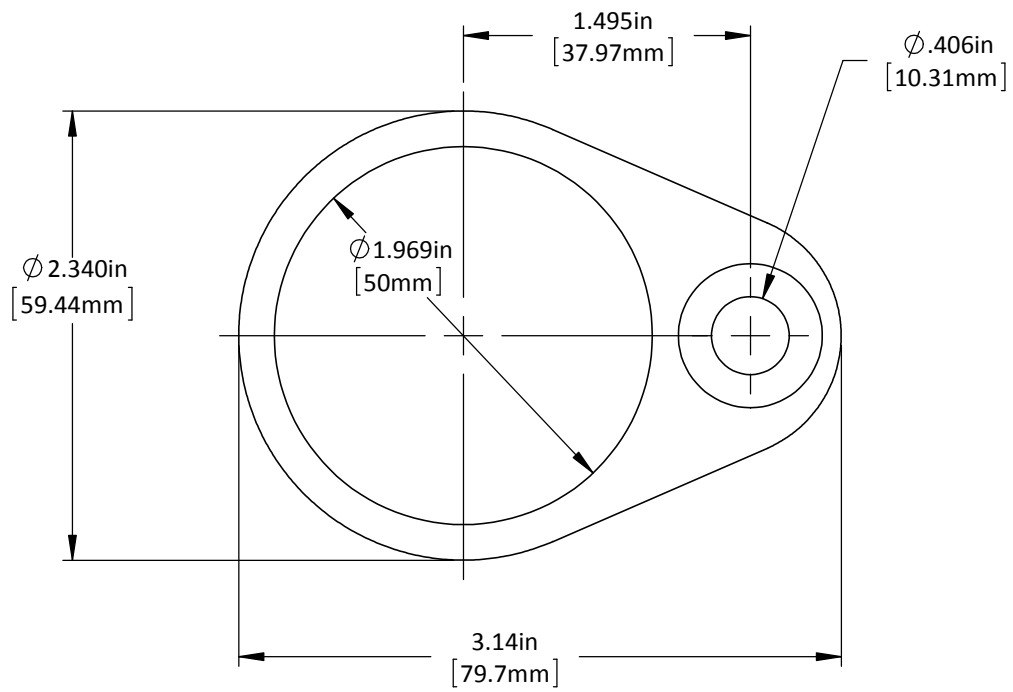
STANDARD LIFTERS INC



*Refer to Nitrogen Spring Manufacturer
for Recommended Hole Size

"E" = 3/8"-16 Tap X .75in Dp.
"M" = M10-1.50 Tap X 20mm Dp.

DO NOT SCALE DRAWING	REV 1	Gas Spring Clamp-GSC-44.5-B-Machining
This product may be covered by one or more patents or patent applications. See http://www.standardlifters.com/patents.html for details.		



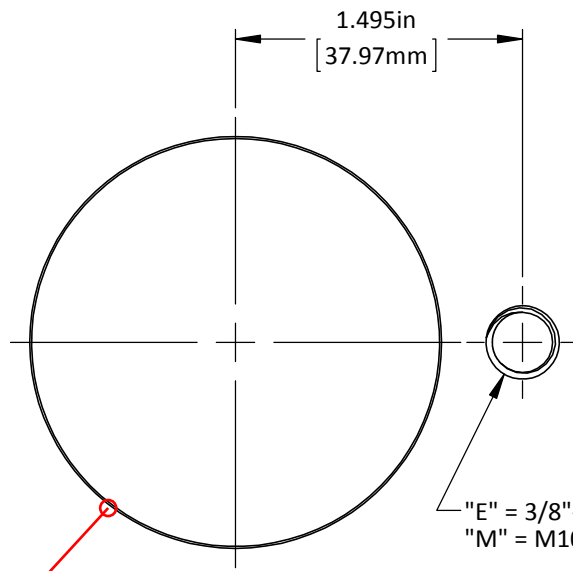
DO NOT SCALE DRAWING

REV 1

This product may be covered by one or more patents or patent applications. See <http://www.standardlifters.com/patents.html> for details.

Gas Spring Clamp-GSC-50-B

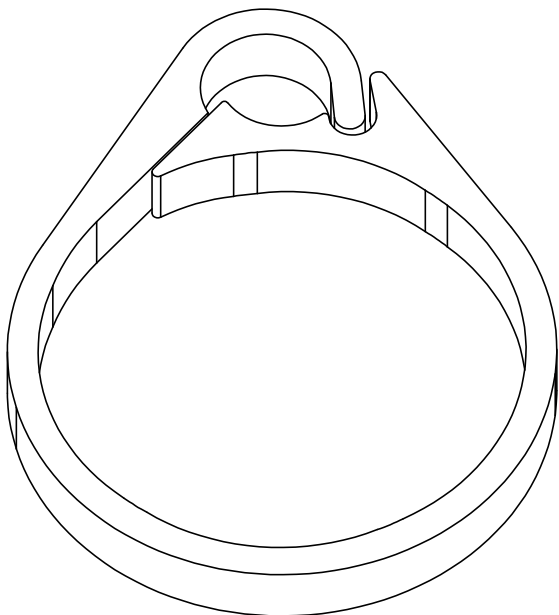
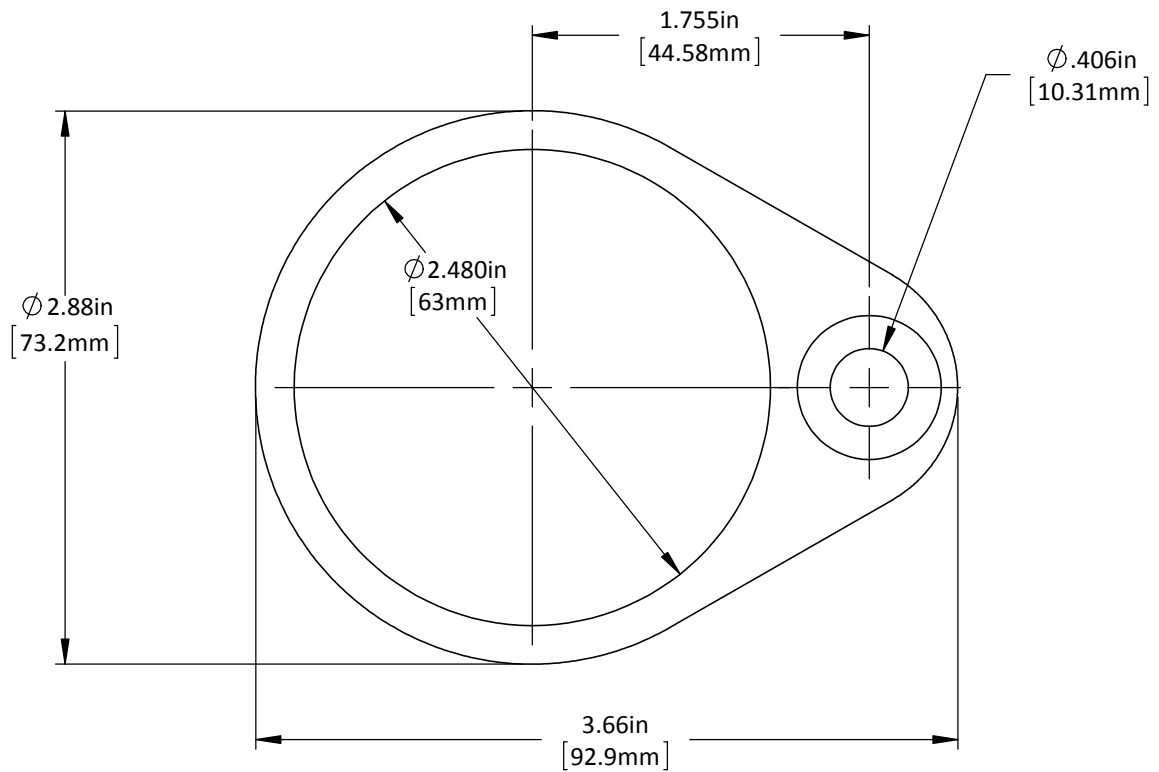
STANDARD LIFTERS INC



*Refer to Nitrogen Spring Manufacturer
for Recommended Hole Size

DO NOT SCALE DRAWING	REV 1
This product may be covered by one or more patents or patent applications. See http://www.standardlifters.com/patents.html for details.	

Gas Spring Clamp-GSC-50-B-Machining
STANDARD LIFTERS INC

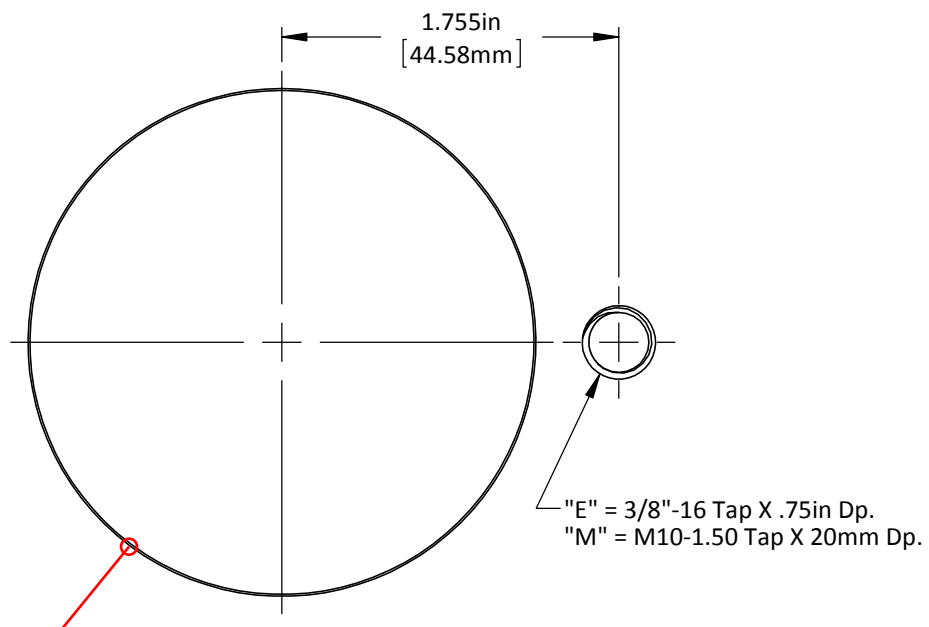


DO NOT SCALE DRAWING | REV 1

This product may be covered by one or more patents or patent applications.
 See <http://www.standardlifters.com/patents.html> for details.

Gas Spring Clamp-GSC-63-B

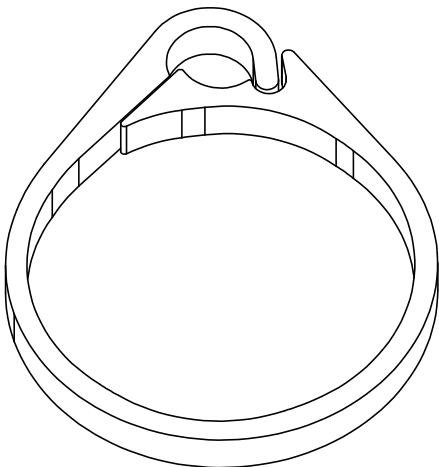
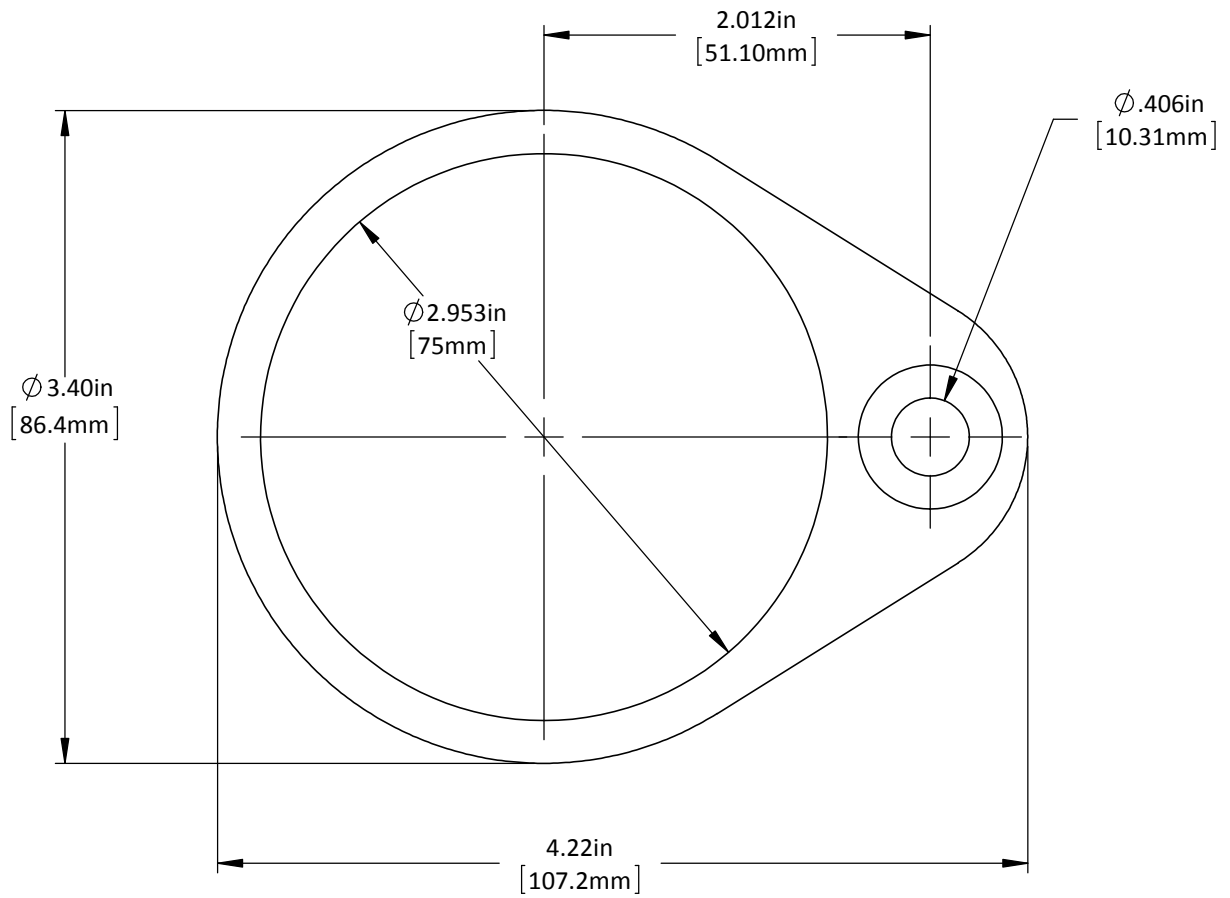
STANDARD LIFTERS INC



*Refer to Nitrogen Spring Manufacturer
for Recommended Hole Size

DO NOT SCALE DRAWING	REV 1
This product may be covered by one or more patents or patent applications. See http://www.standardlifters.com/patents.html for details.	

Gas Spring Clamp-GSC-63-B-Machining
STANDARD LIFTERS INC



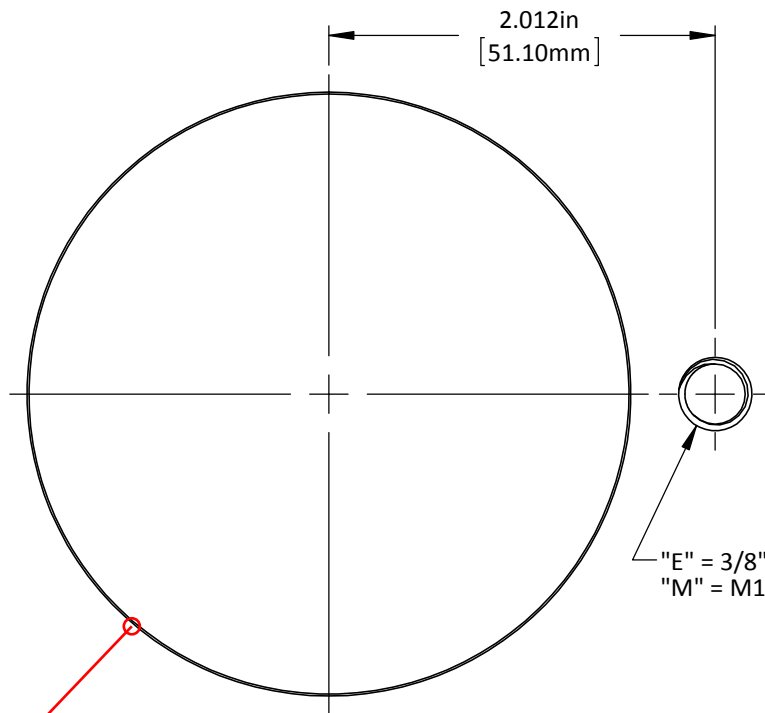
DO NOT SCALE DRAWING

REV 1

This product may be covered by one or more patents or
 patent applications.
 See <http://www.standardlifters.com/patents.html> for details.

Gas Spring Clamp-GSC-75-B

STANDARD LIFTERS INC



"E" = 3/8"-16 Tap X .75in Dp.
"M" = M10-1.50 Tap X 20mm Dp.

*Refer to Nitrogen Spring Manufacturer
for Recommended Hole Size

DO NOT SCALE DRAWING

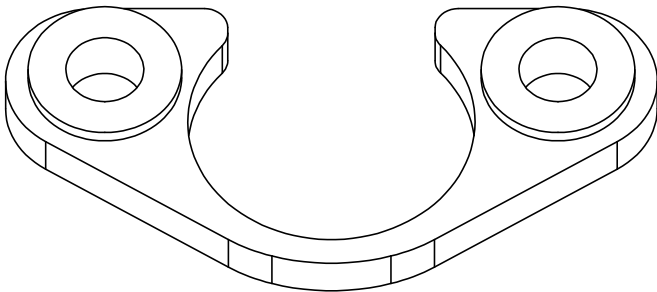
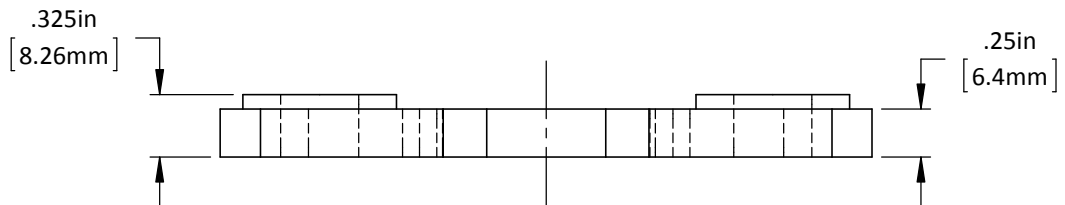
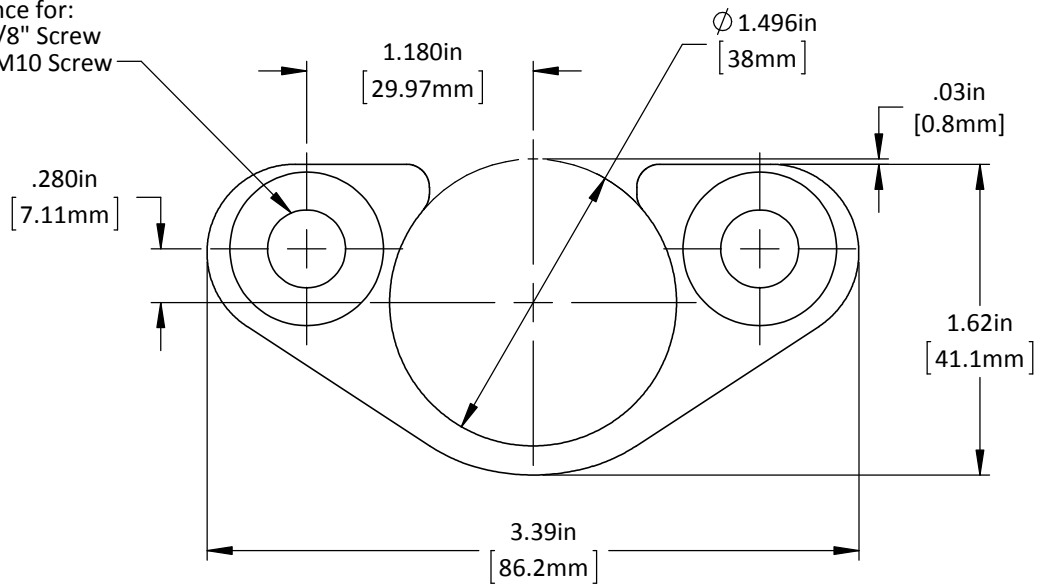
REV 1

Gas Spring Clamp-GSC-75-B-Machining

This product may be covered by one or more patents or
patent applications.
See <http://www.standardlifters.com/patents.html> for details.

STANDARD LIFTERS INC

Clearance for:
"E" = 3/8" Screw
"M" = M10 Screw



DO NOT SCALE DRAWING

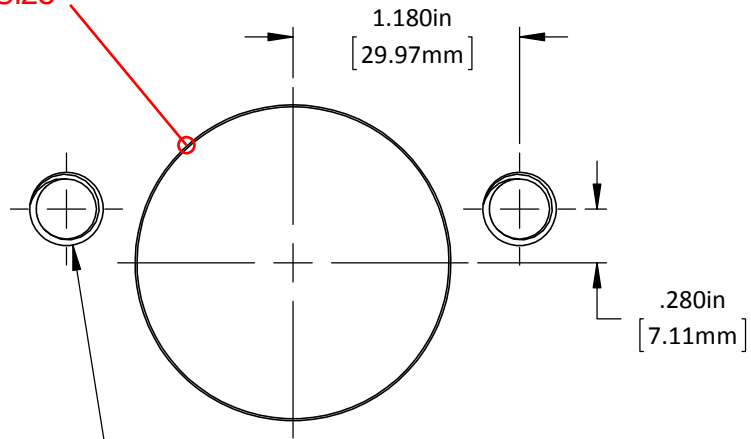
REV 1

This product may be covered by one or more patents or patent applications.
See <http://www.standardlifters.com/patents.html> for details.

Gas Spring Clamp-GSC-38-C

STANDARD LIFTERS INC

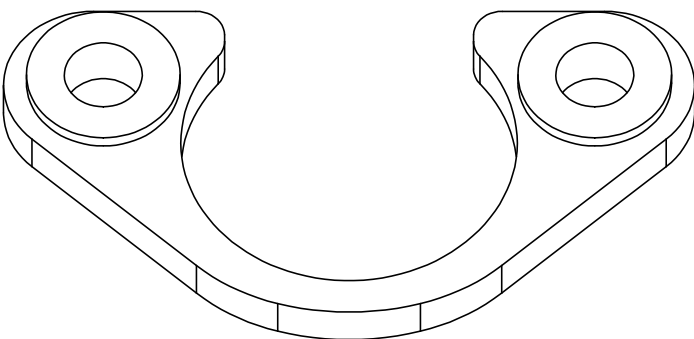
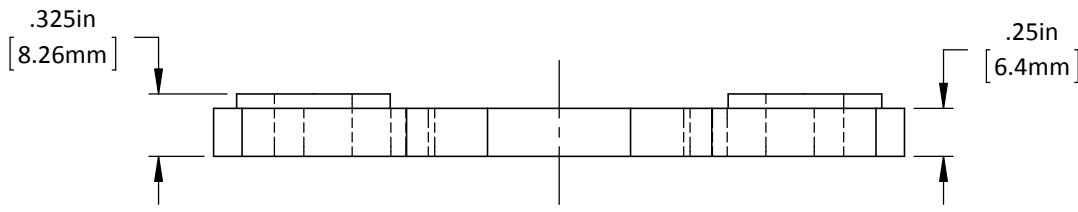
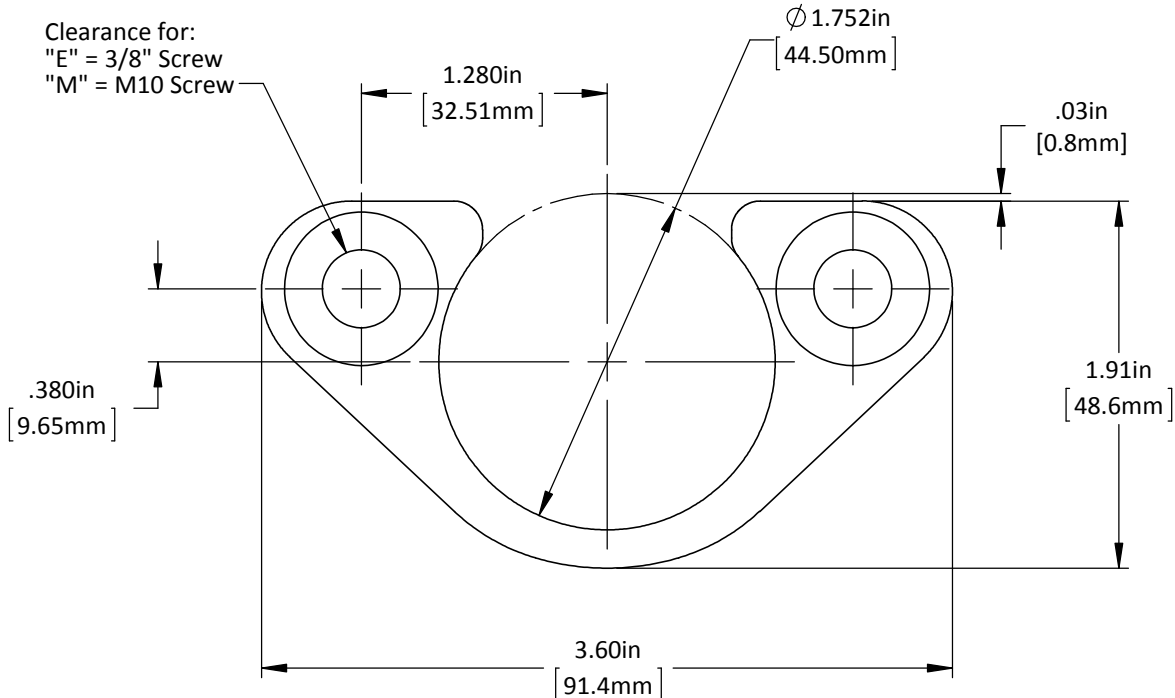
*Refer to Nitrogen Spring Manufacturer
for Recommended Hole Size



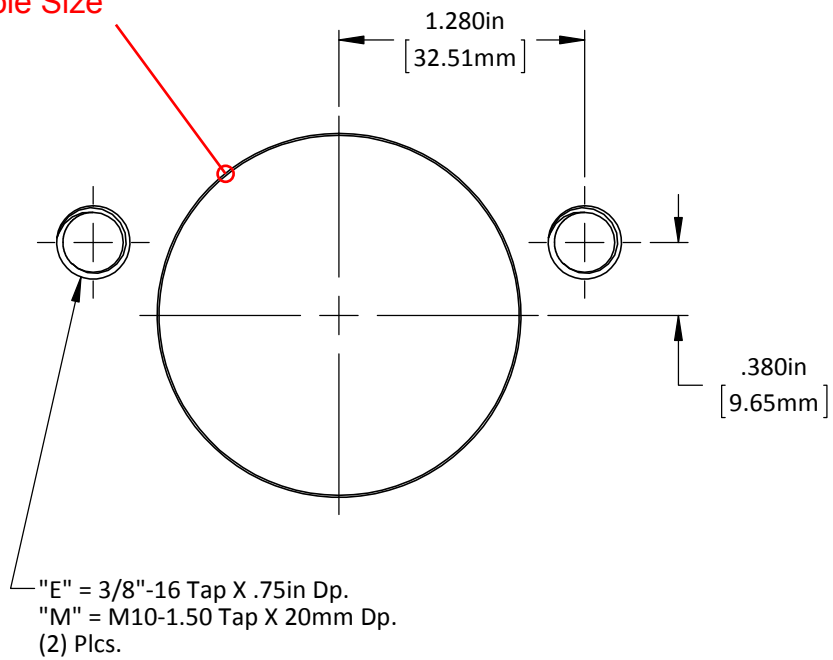
"E" = 3/8"-16 Tap X .75in Dp.
"M" = M10-1.50 Tap X 20mm Dp.
(2) Plcs.

DO NOT SCALE DRAWING	REV 1
This product may be covered by one or more patents or patent applications. See http://www.standardlifters.com/patents.html for details.	

Gas Spring Clamp-GSC-38-C-Machining
STANDARD LIFTERS INC



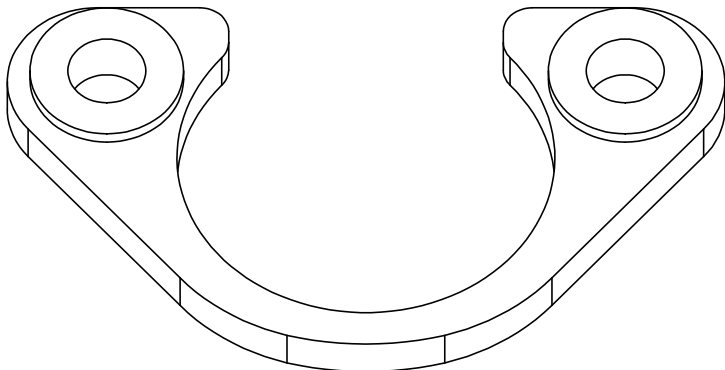
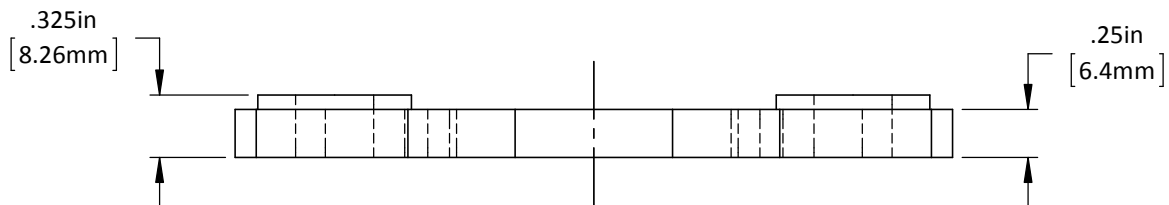
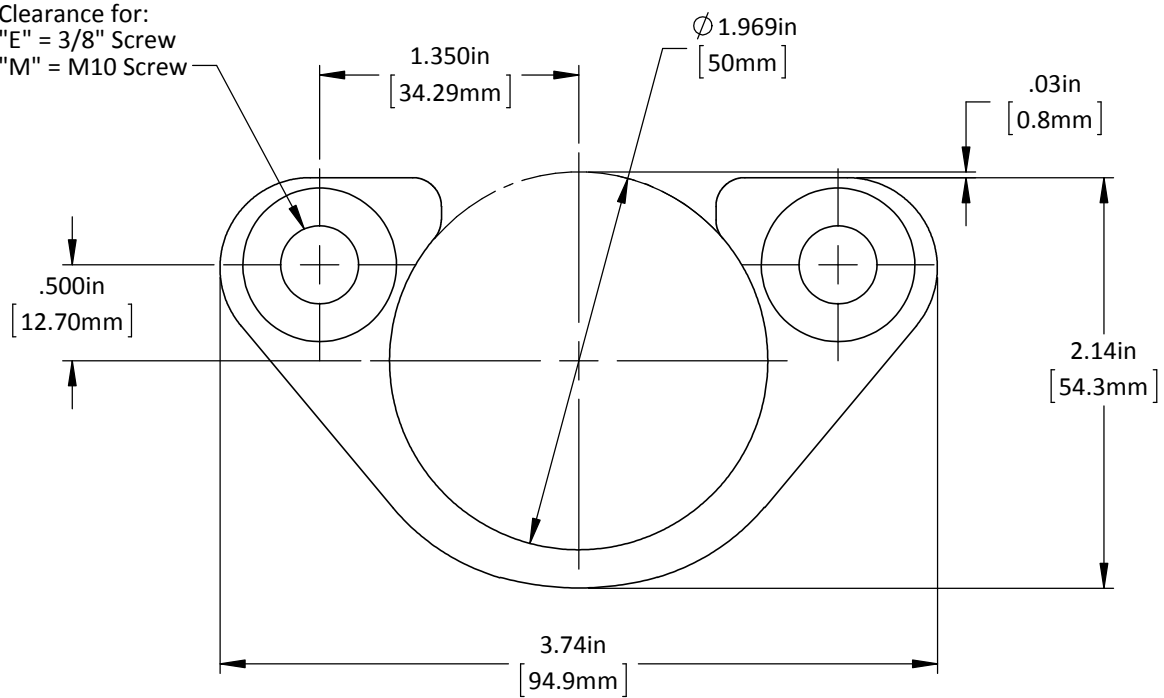
***Refer to Nitrogen Spring Manufacturer
for Recommended Hole Size**



DO NOT SCALE DRAWING	REV 1
This product may be covered by one or more patents or patent applications. See http://www.standardlifters.com/patents.html for details.	

Gas Spring Clamp-GSC-44.5-C-Machining
STANDARD LIFTERS INC

Clearance for:
"E" = 3/8" Screw
"M" = M10 Screw



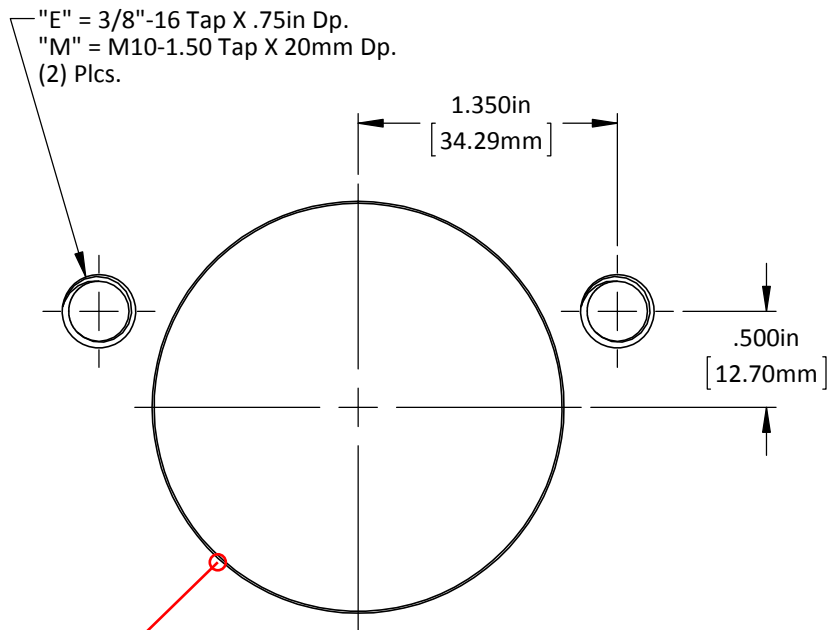
DO NOT SCALE DRAWING

REV 1

This product may be covered by one or more patents or patent applications.
See <http://www.standardlifters.com/patents.html> for details.

Gas Spring Clamp-GSC-50-C

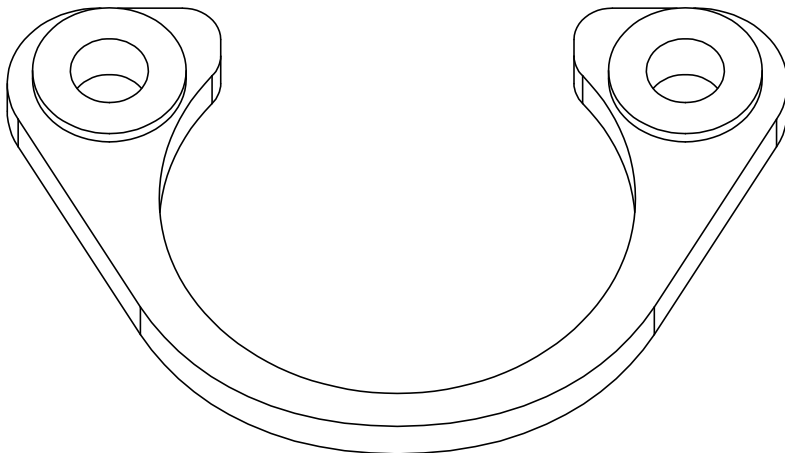
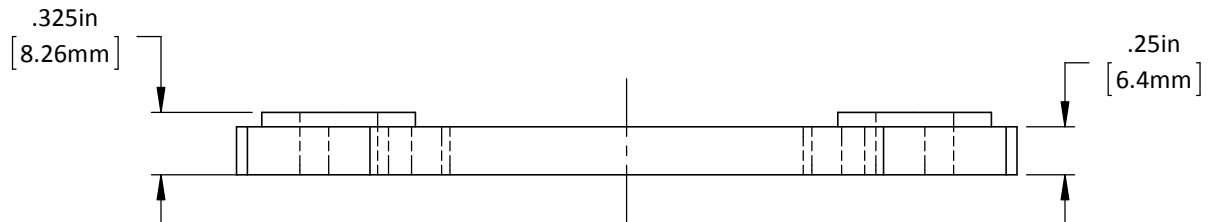
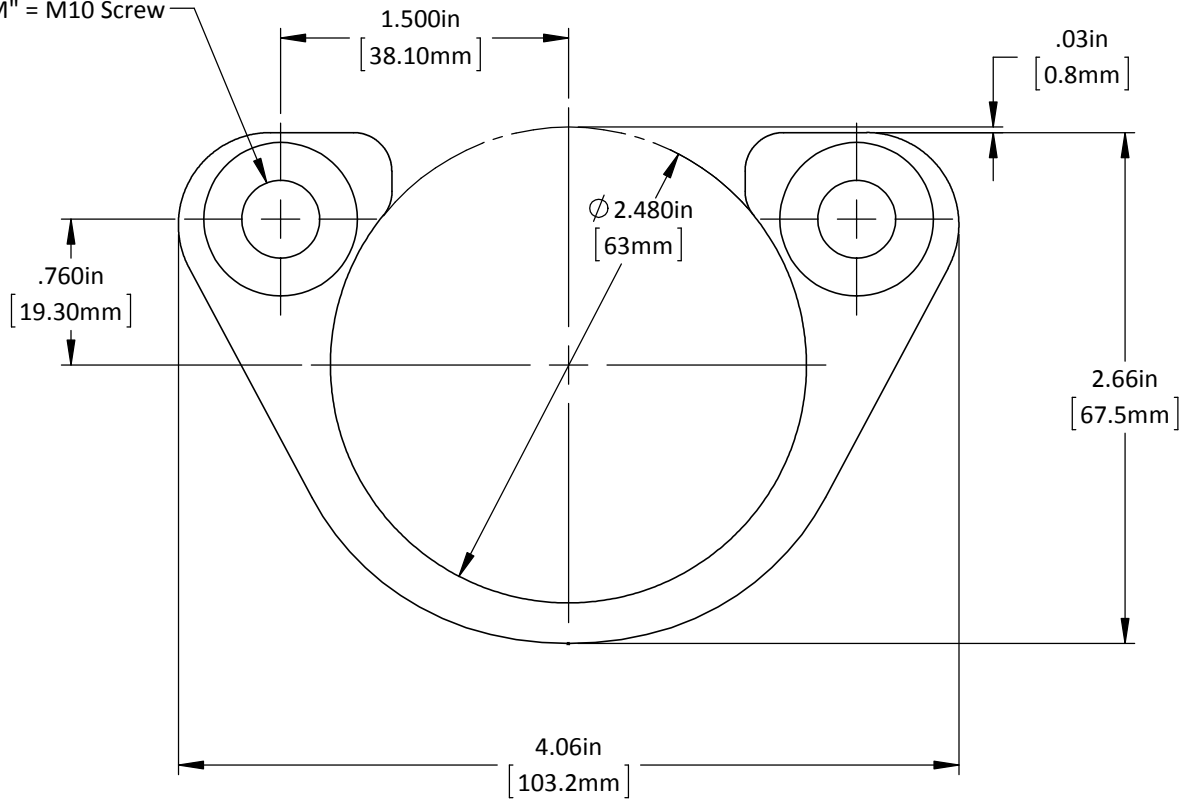
STANDARD LIFTERS INC



*Refer to Nitrogen Spring Manufacturer
 for Recommended Hole Size

DO NOT SCALE DRAWING	REV 1	Gas Spring Clamp-GSC-50-C-Machining
This product may be covered by one or more patents or patent applications. See http://www.standardlifters.com/patents.html for details.		

Clearance for:
"E" = 3/8" Screw
"M" = M10 Screw



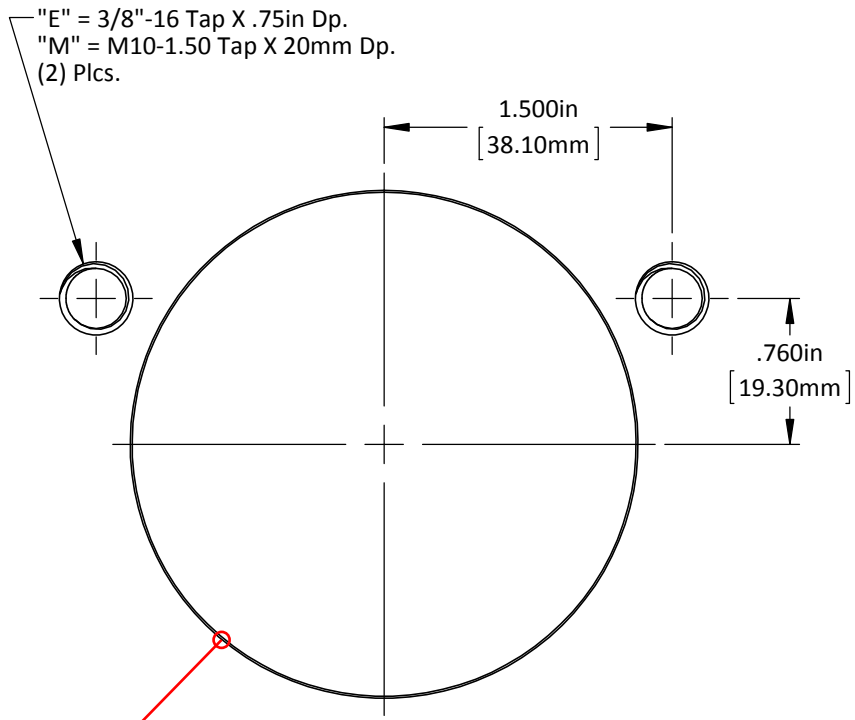
DO NOT SCALE DRAWING

REV 1

This product may be covered by one or more patents or patent applications.
See <http://www.standardlifters.com/patents.html> for details.

Gas Spring Clamp-GSC-63-C

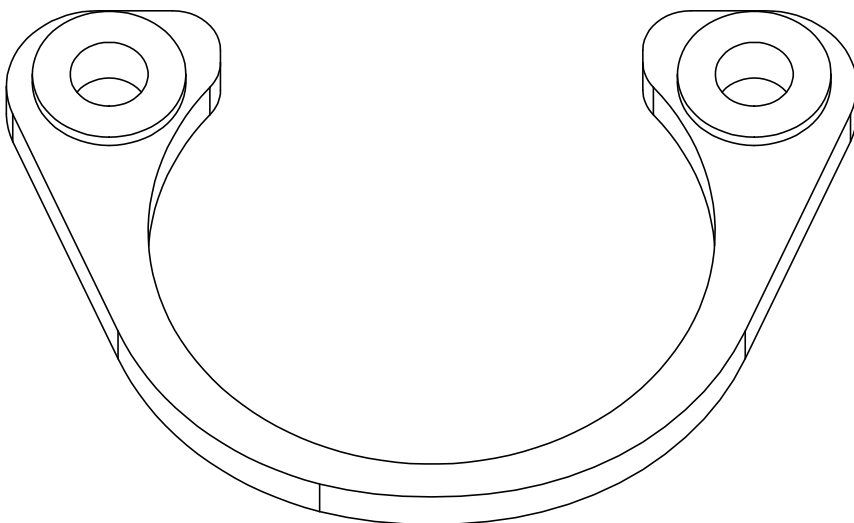
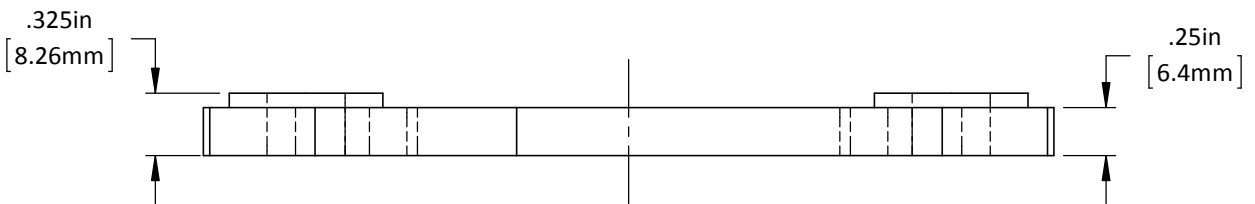
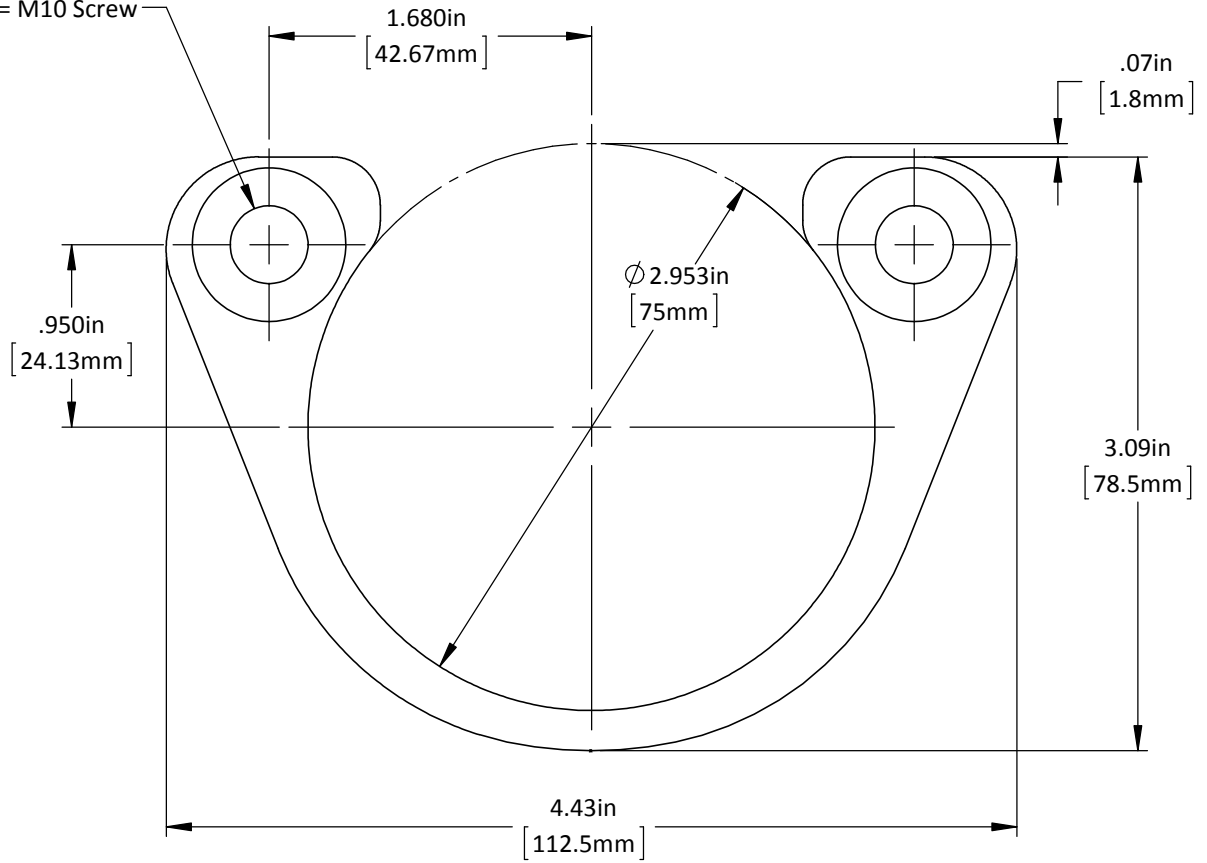
STANDARD LIFTERS INC



*Refer to Nitrogen Spring Manufacturer
 for Recommended Hole Size

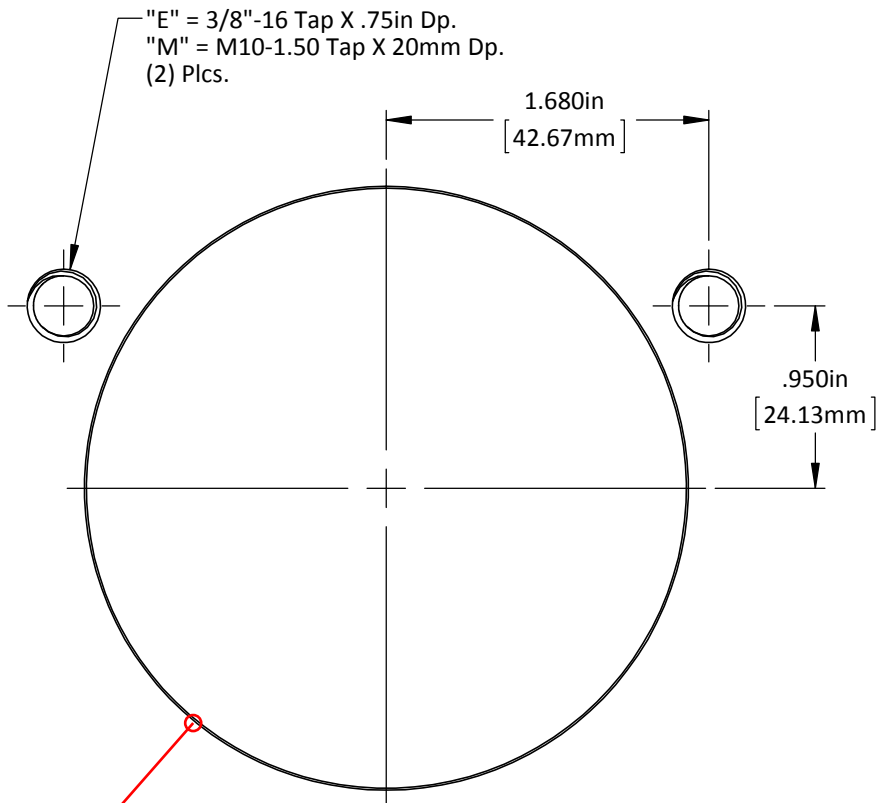
DO NOT SCALE DRAWING	REV 1	Gas Spring Clamp-GSC-63-C-Machining
This product may be covered by one or more patents or patent applications. See http://www.standardlifters.com/patents.html for details.		

Clearance for:
 "E" = 3/8" Screw
 "M" = M10 Screw



DO NOT SCALE DRAWING | REV 1
 This product may be covered by one or more patents or patent applications.
 See <http://www.standardlifters.com/patents.html> for details.

Gas Spring Clamp-GSC-75-C
STANDARD LIFTERS INC



"E" = 3/8"-16 Tap X .75in Dp.
 "M" = M10-1.50 Tap X 20mm Dp.
 (2) Plcs.

*Refer to Nitrogen Spring Manufacturer
 for Recommended Hole Size

DO NOT SCALE DRAWING	REV 1
This product may be covered by one or more patents or patent applications. See http://www.standardlifters.com/patents.html for details.	

Gas Spring Clamp-GSC-75-C-Machining
STANDARD LIFTERS INC