

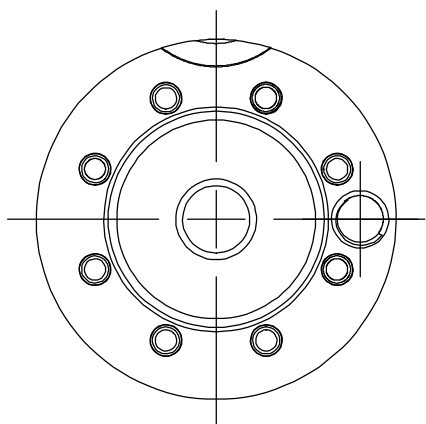
DO NOT SCALE DRAWING

REV 6

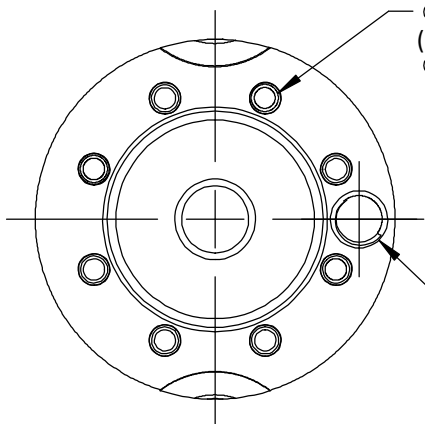
This product may be covered by one or more patents or  
 patent applications.  
 See <http://www.standardlifters.com/patents.html> for details.

**Pilot-PA-.750-.150-L-P-F-Machining**

STANDARD LIFTERS INC



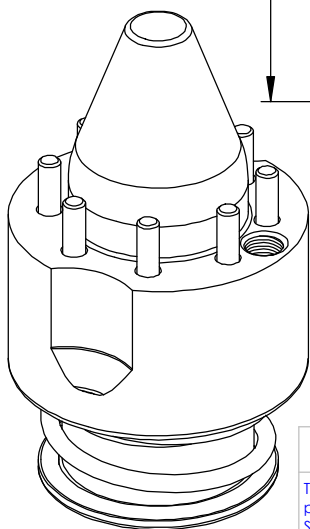
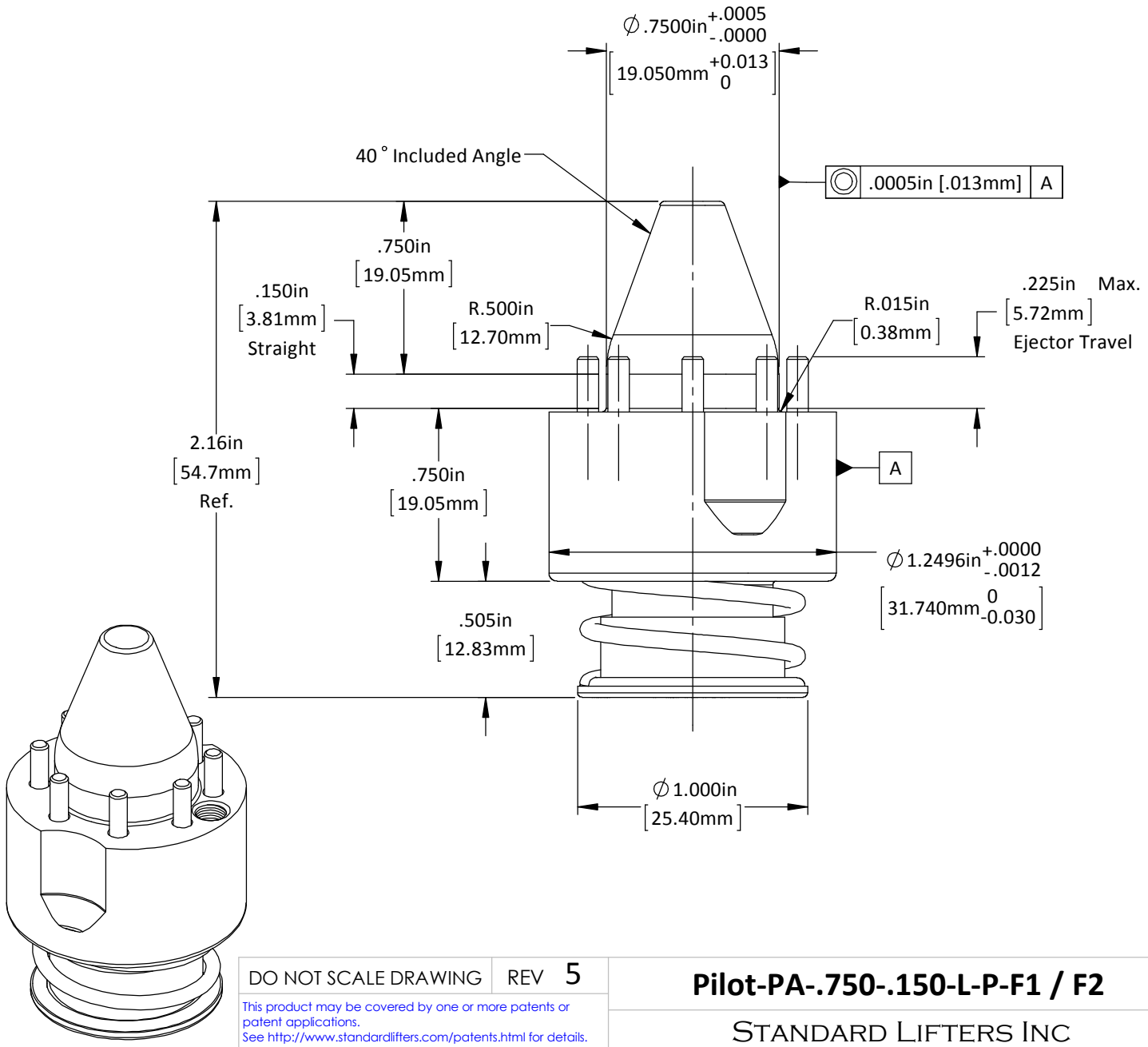
**1 Hold Down**  
**PA-.750-.150-L-P-F1**



Ø .094in [2.4mm] Ejector Pin  
(8) Equally Spaced on a  
Ø .910in [23.11mm] Bolt Circle

#10-32 Tap

**2 Hold Downs**  
**PA-.750-.150-L-P-F2**



DO NOT SCALE DRAWING    REV 5  
 This product may be covered by one or more patents or patent applications.  
 See <http://www.standardlifters.com/patents.html> for details.

**Pilot-PA-.750-.150-L-P-F1 / F2**  
 STANDARD LIFTERS INC