

SECTION A-A

DO NOT SCALE DRAWING

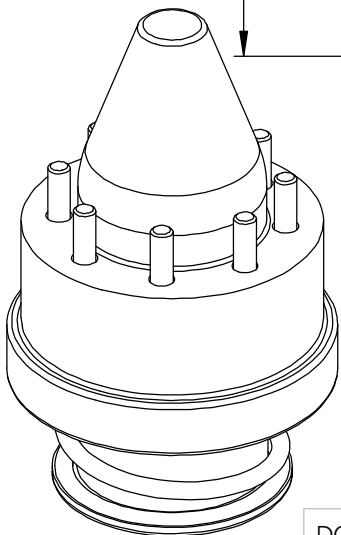
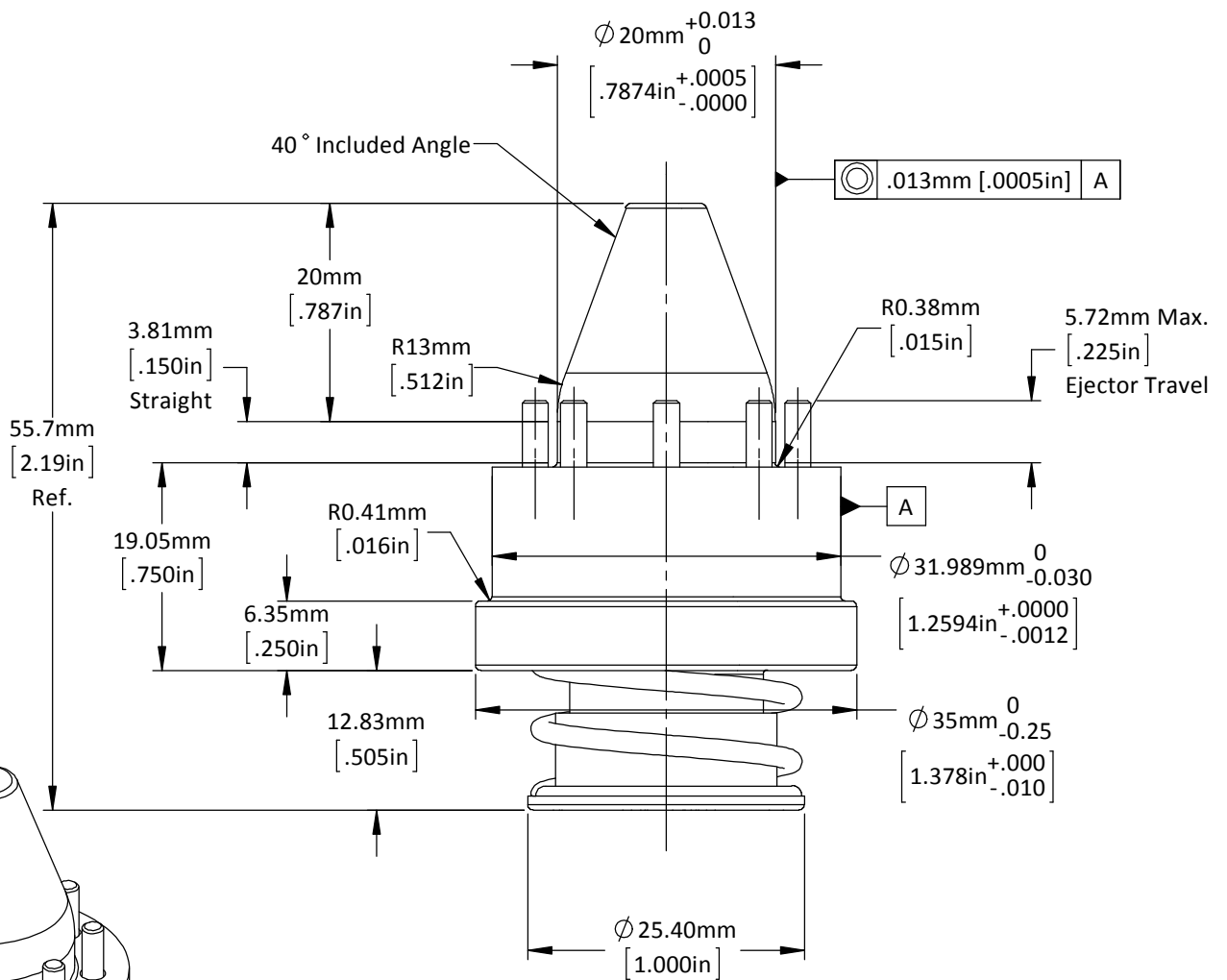
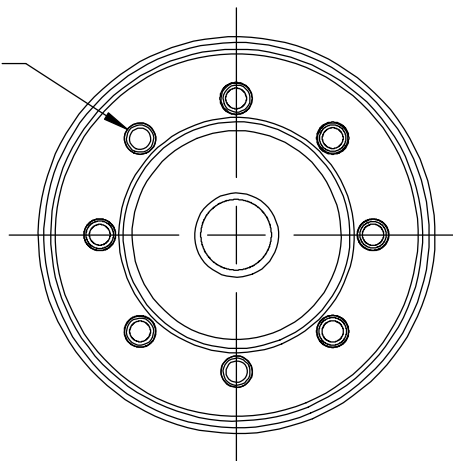
REV 3

This product may be covered by one or more patents or patent applications.
 See <http://www.standardlifters.com/patents.html> for details.

Pilot-PA-20mm-3.8mm-S-P-W-Machining

STANDARD LIFTERS INC

\varnothing 2.4mm [.094in] Ejector Pin
 (8) Equally Spaced on a
 \varnothing 24.1mm [.948in] Bolt Circle



DO NOT SCALE DRAWING REV 2

This product may be covered by one or more patents or patent applications.
 See <http://www.standardlifters.com/patents.html> for details.

Pilot-PA-20mm-3.8mm-S-P-W

STANDARD LIFTERS INC