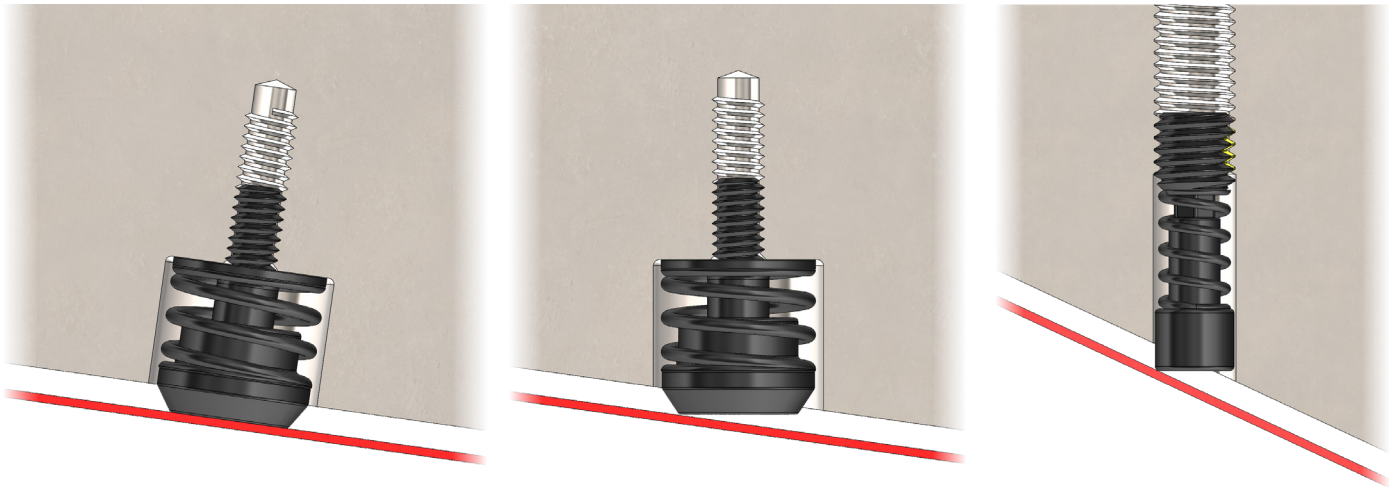


Usage Guidelines & Recommendations

Use of Ejector Assemblies on angled surfaces is NOT recommended

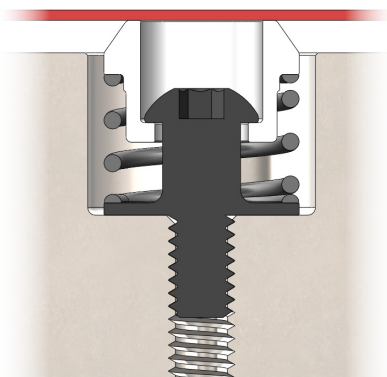
Standard Lifters does not recommend using Ejector units on angled surfaces or where the material is compressing the stripper on an angle.

Doing so may cause damage to the Ejector assembly.



Overtraveling will Damage Units

After installation, press the plunger down to make sure it travels a minimum of .010" (.25mm) below the mounting surface.



Make sure pocket depth is machined so the travel of the assembly is limited to be equal to, or less than, the max travel.

